

TRANE®

DATE: 12-05-07

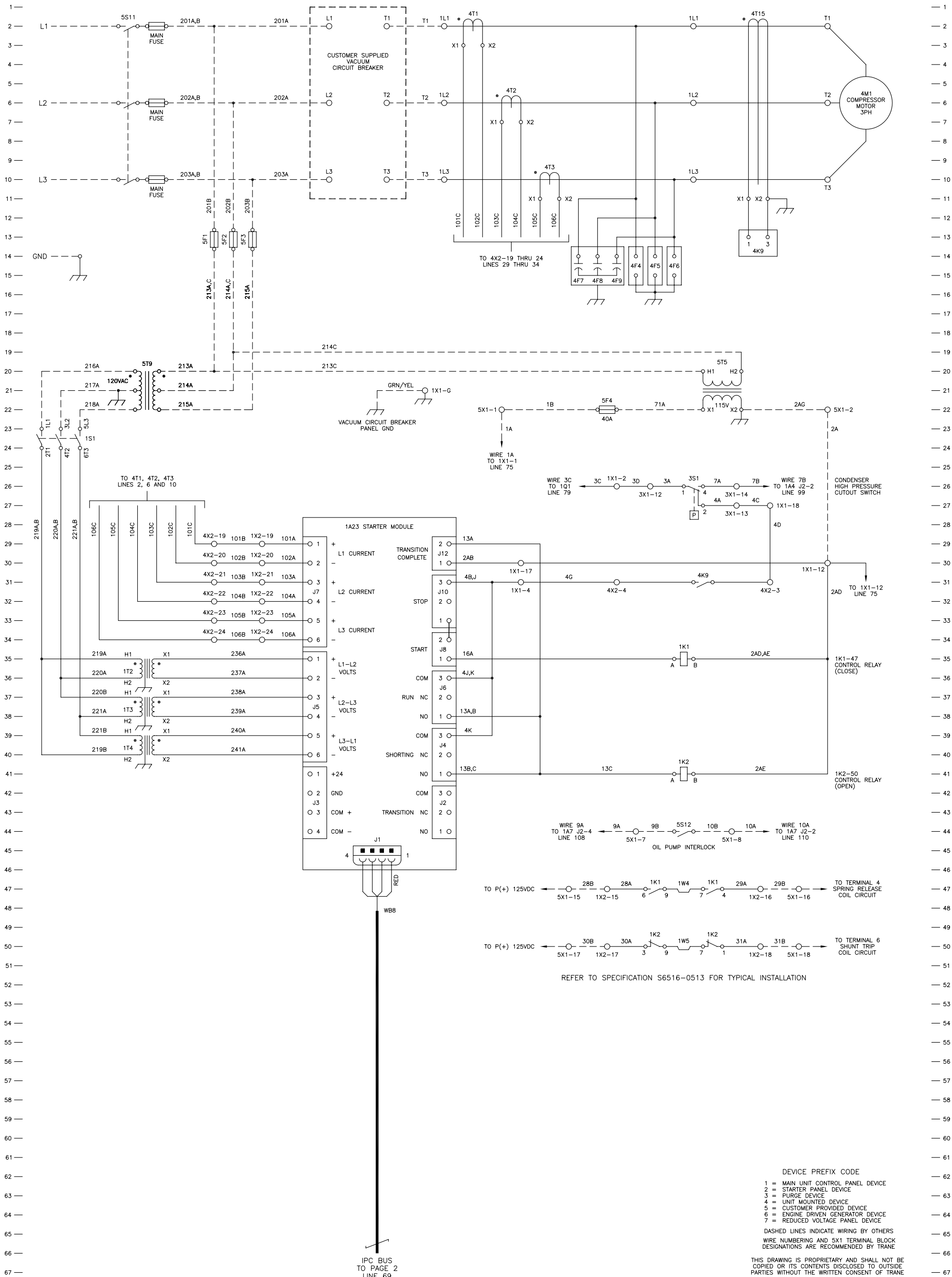
HERMETIC CENTRIFUGAL LIQUID CHILLER

CENTRAVAC®

SCHEMATIC WIRING DIAGRAM - SIMPLEX OR DUPLEX UNIT
CVAC - CUSTOMER SUPPLIED 2.3-6.6KV MEDIUM VOLTAGE VACUUM CIRCUIT BREAKER
WITH OPTIONAL SMP 3-LEAD MOTOR CONNECTION, WITHOUT OPTIONAL CPTR

DRAWING NUMBER 2311-0501 REV A

PAGE 1 OF 6



- DEVICE PREFIX CODE
1 = MAIN UNIT CONTROL PANEL DEVICE
2 = STARTER PANEL DEVICE
3 = PURGE DEVICE
4 = UNIT MOUNTED DEVICE
5 = CUSTOMER PROVIDED DEVICE
6 = ENGINE DRIVEN GENERATOR DEVICE
7 = REDUCED VOLTAGE PANEL DEVICE

DASHED LINES INDICATE WIRING BY OTHERS
WIRE NUMBERING AND 5X1 TERMINAL BLOCK DESIGNATIONS ARE RECOMMENDED BY TRANE
THIS DRAWING IS PROPRIETARY AND SHALL NOT BE COPIED OR ITS CONTENTS DISCLOSED TO OUTSIDE PARTIES WITHOUT THE WRITTEN CONSENT OF TRANE

WARNING HAZARDOUS VOLTAGE! AVERTISSEMENT TENSION DANGEREUSE! ADVERTENCIA ¡VOLTAJE PELIGROSO!
DISCONNECT ALL ELECTRIC POWER INCLUDING REMOTE DISCONNECTS AND FOLLOW LOCK OUT AND TAG PROCEDURES BEFORE SERVICING.

CAUTION USE COPPER CONDUCTORS ONLY! ATTENTION N'UTILISER QUE DES CONDUCTEURS EN CUIVRE! PRECAUCIÓN ¡UTILICE ÚNICAMENTE CONDUCTORES DE COBRE!
UNIT TERMINALS ARE NOT DESIGNED TO ACCEPT OTHER TYPES OF CONDUCTORS.

REPLACES: 2309803000C

MASTER: 2309755000A

PAGE 1 OF 6