

- NOTES:**
- 21 WIRING SHOWN IS FOR HOOKUP WITHOUT COMM. BOARD. HOOK PPF14(VAV) OR PPF13(CV) TO RTRM J4. WITH OPT. COMM. BOARD, HOOK PPF14 OR PPF13 TO COMM J2, P14 TO RTRM J4 AND P21 TO COMM J1. SEE INSET A FOR WIRE NUMBERS.
 - 22 WIRE 36AE IS NOT USED FOR THE TC/TE/YC_420 OR TC/TE/YC_600.
 - 23 UNITS WITH LO HEAT OPTION HAVE A SINGLE HEAT EXCHANGER. UNITS WITH HI HEAT OPTION HAVE TWO HEAT EXCHANGERS.
 - 24 REQUIRED FOR OPT. REFERENCE ENTHALPY CONTROL.
 - 25 REQUIRED FOR OPT. COMPARATIVE ENTHALPY CONTROL.
 - 26 WIRES 51A, 52A & 53A (PS) REQUIRED FOR YC LOW GAS HEAT OPTION. WIRES 51D, 52D & 53D (PS) REQUIRED FOR YC HIGH GAS HEAT OPTION.
 - 28 REQUIRED FOR OPTIONAL POWER EXHAUST.
 - 29 OPTIONAL CLOGGED FILTER SWITCH.
 - 30 REQUIRED FOR OPTIONAL VAV.

CAUTION
USE COPPER CONDUCTORS ONLY!
UNIT TERMINALS ARE NOT DESIGNED TO ACCEPT OTHER TYPES OF CONDUCTORS.
FAILURE TO DO SO MAY CAUSE DAMAGE TO THE EQUIPMENT.

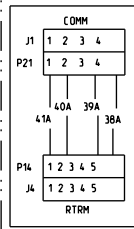
ATTENTION
N'UTILISER QUE DES CONDUCTEURS EN CUIVRE!
LES BORNES DE L'UNITÉ NE SONT PAS CONÇUES POUR RECEVOIR D'AUTRES TYPES DE CONDUCTEURS.
L'UTILISATION DE TOUT AUTRE CONDUCTEUR PEUT ENDOMMAGER L'EQUIPEMENT.

PRECAUCIÓN
UTILICE ÚNICAMENTE CONDUCTORES DE COBRE!
LAS TERMINALES DE LA UNIDAD NO ESTÁN DISEÑADAS PARA ACEPTAR OTROS TIPOS DE CONDUCTORES.
SI NO LO HACE, PUEDE OCASIONAR DAÑO AL EQUIPO.

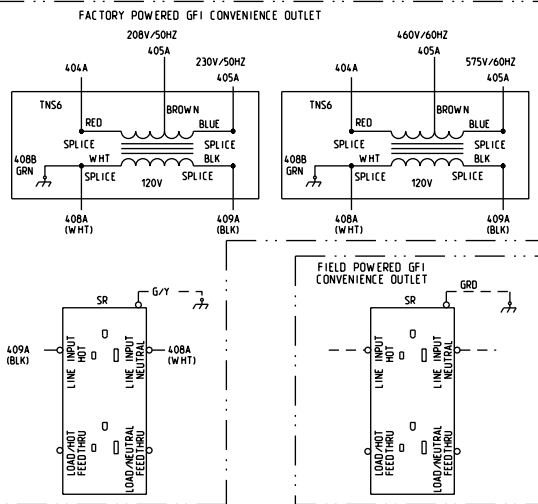
IMPORTANT!
DO NOT ENERGIZE UNIT UNTIL CHECK-OUT AND START-UP PROCEDURE HAS BEEN COMPLETED.

FUSE REPLACEMENT TABLE			
FU1	208-230V	CLASS CC	20 AMP
FU2	380-415V	CLASS CC	15 AMP
FU3	460-575V	CLASS CC	15 AMP
FU4	208-230V	CLASS CC	15 AMP
FU5	380-415V	CLASS CC	15 AMP
FU6	460-575V	CLASS CC	15 AMP
FU20	208-230V	CLASS CC	10 AMP
FU21	460-575V	CLASS CC	5 AMP

INSET A -
(SEE NOTE 21)
COMM BOARD CONNECTIONS



CONDENSER SECTION WIRING



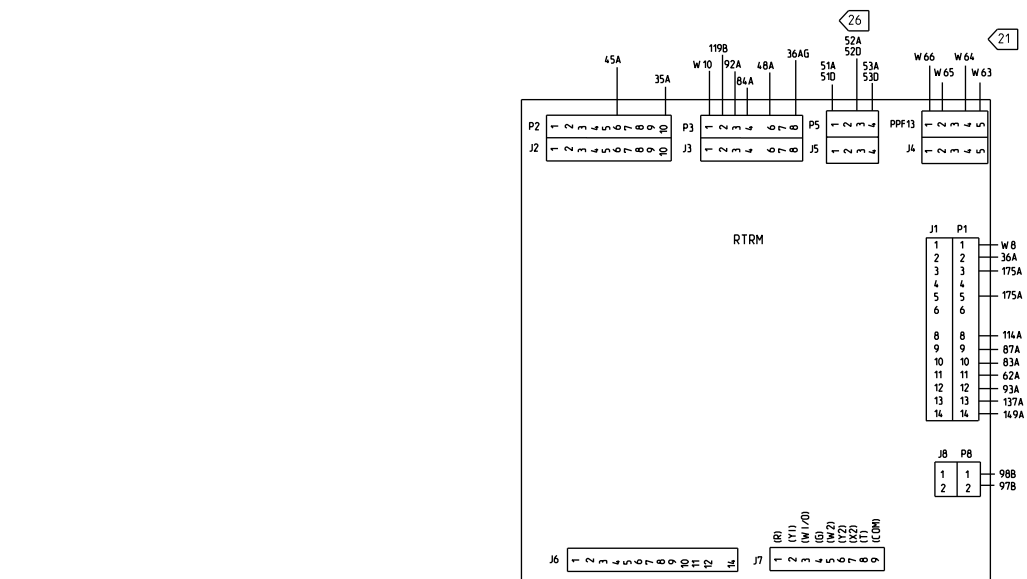
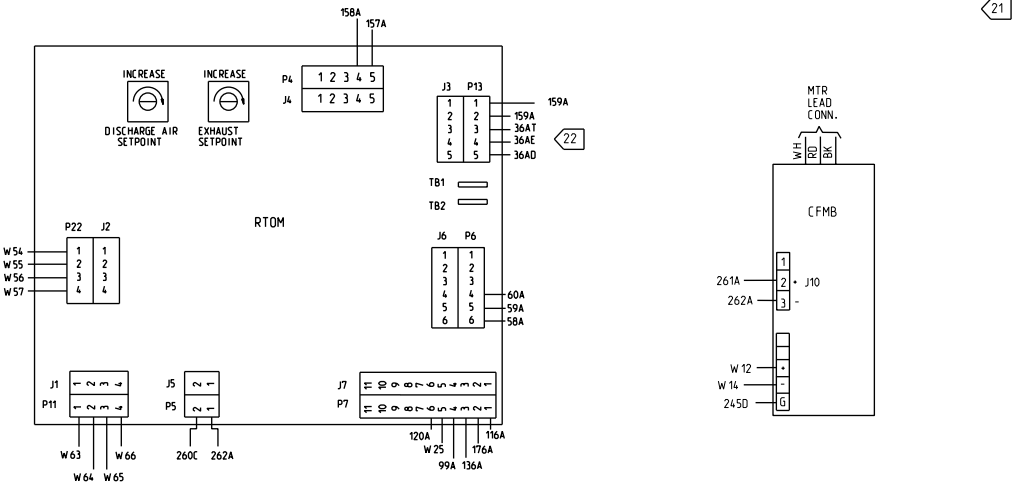
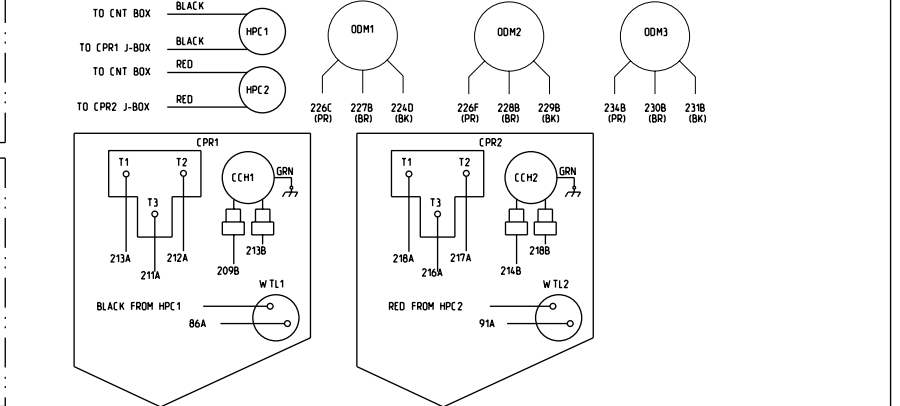
11 X 17 METAL PLATE

TRANE
A DIVISION OF AMERICAN STANDARD INC.
ALL RIGHTS RESERVED

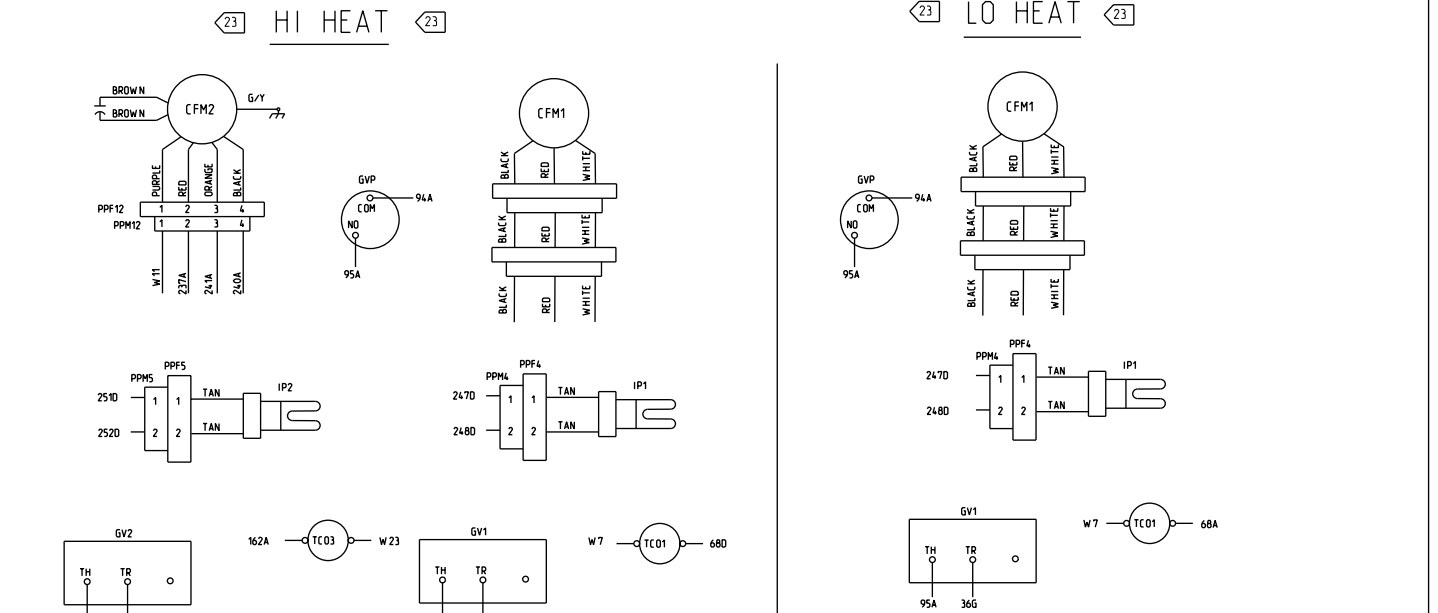
FILE NUMBER: 2309-3836
DRAWING NUMBER: 2309-3862
SHEET: 1 OF 1
REV: D

YC 27.5-35.CV
MOD GAS HEAT

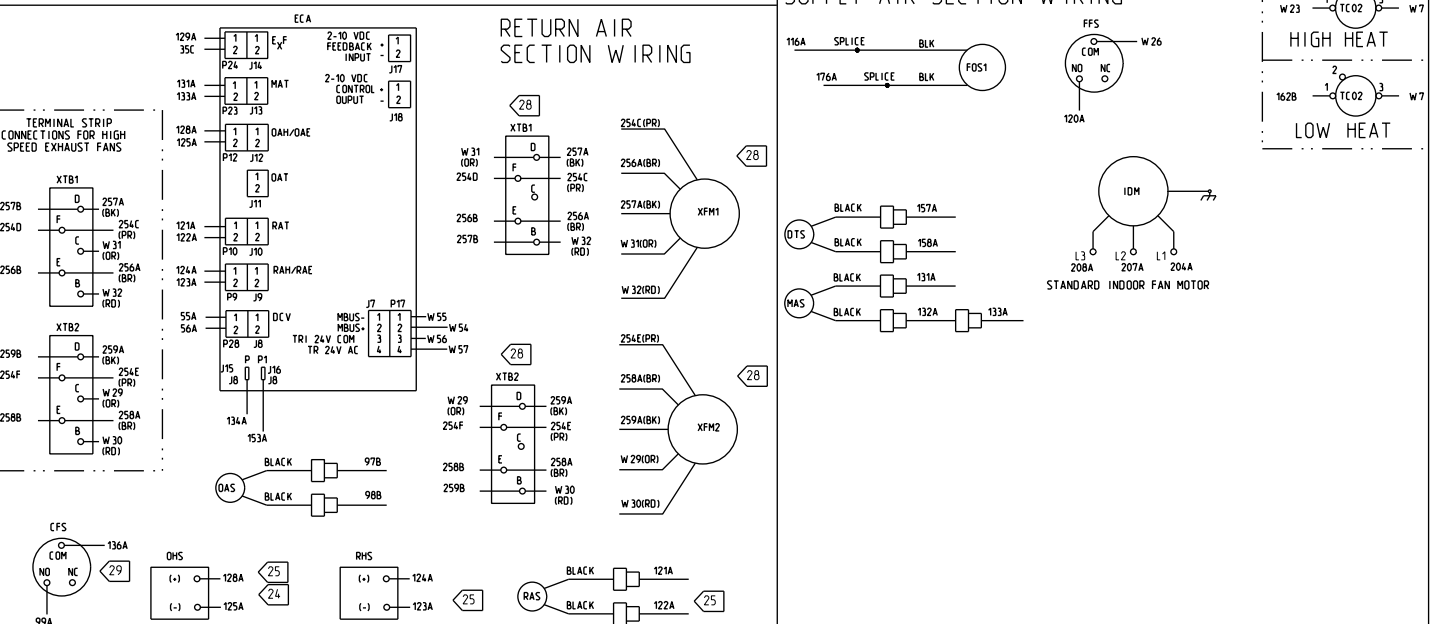
DRAWN BY: A.SINGLETARY © DATE: 06/14/07
REVISION DATE: -
REPLACES: -
CAD SYSTEM USED: PRO/E
SIMILAR TO: 2309-3345



HEAT SECTION WIRING



SUPPLY AIR SECTION WIRING



RETURN AIR SECTION WIRING

