

CAUTION

USE COPPER CONDUCTORS ONLY!

UNIT TERMINALS ARE NOT DESIGNED TO ACCEPT OTHER TYPES OF CONDUCTORS.

FAILURE TO DO SO MAY CAUSE DAMAGE TO THE EQUIPMENT.

ATTENTION

N'UTILISER QUE DES CONDUCTEURS EN CUIVRE!

LES BORNES DE L'UNITÉ NE SONT PAS CONÇUES POUR RECEVOIR D'AUTRES TIPIES DE CONDUCTEURS.

L'UTILISATION DE TOUT AUTRE CONDUCTEUR PEUT ENDOMMAGER L'ÉQUIPEMENT.

PRECAUCIÓN

UTILICE ÚNICAMENTE CONDUCTORES DE COBRE!

LAS TERMINALES DE LA UNIDAD NO ESTÁN DISEÑADAS PARA ACEPTAR OTROS TIPIOS DE CONDUCTORES.

SI NO LO HACE, PUEDE OCASIONAR DAÑO AL EQUIPO.

NOTES:

1 WIRING SHOWN IS FOR 460V. FOR 575V MOVE ALL WIRES FROM 460V TERMINAL TO 575V TERMINAL ON TNS2.

2 WIRE NUMBER 36AE IS NOT USED FOR TE.600 & YC.600.

3 REQUIRED FOR OPTIONAL REFERENCE ENTHALPY CONTROL

4 REQUIRED FOR OPTIONAL COMPARATIVE ENTHALPY CONTROL

5 LPC1 & LPC2 ARE LOW PRESSURE CUTOFF SWITCHES USED FOR COMPRESSOR PROTECTION. CAUTION! DO NOT JUMPER ACROSS SWITCHES UNDER ANY CIRCUMSTANCES. TO DISABLE COMPRESSORS, REMOVE JUMPERS AND CONNECT FIELD SUPPLIED DEVICE.

6 XFR CAN BE FOUND ON LINES 21.26 & 173.

7 REMOVE JUMPER BETWEEN LTB-5 AND LTB-6 AND INSTALL FIELD PROVIDED DEVICE WHEN OPERATION.

8 TO ENABLE COMPRESSOR LEAD/LAG OPERATION, CUT WIRE 36AG.

9 WIRING SHOWN IS FOR YC UNITS. FOR TE UNITS, MOVE WIRE W6 FROM TNS2 24V TERMINAL TO TNS1 24V TERMINAL.

15 INSTALL OPTIONAL REMOTE SENSOR TO TERMINALS S1 AND S2 WHEN REQUIRED. SEE PROGRAMMABLE ZONE SENSOR / REMOTE PANEL W/NSB LITERATURE FOR OPTION CONFIGURATION.

16 TERMINALS 7,8,9 & 10 ARE FOR OPTIONAL INDICATORS.

17 INSET D IS FOR OPTIONAL PROGRAMMABLE ZONE SENSOR.

18 AUXILIARY RELAY ENERGIZED DURING OCCUPIED PERIODS.

19 0-10 VDC DUCT MOUNTED SENSOR ONLY.

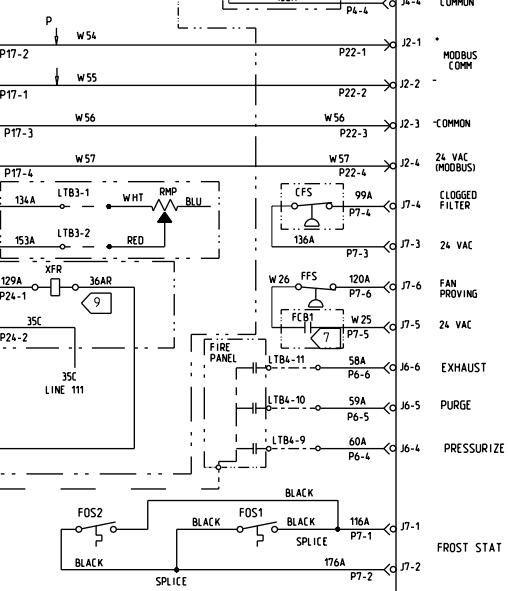
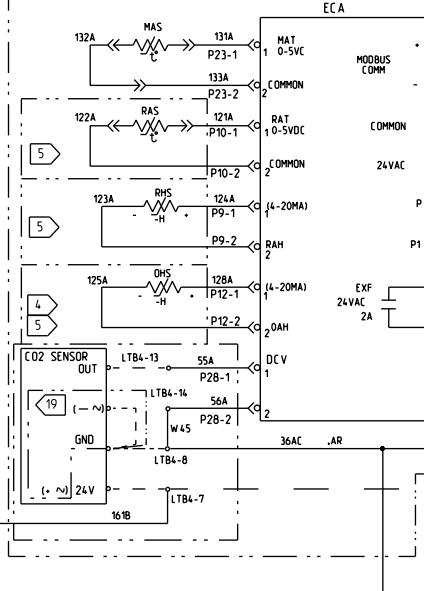
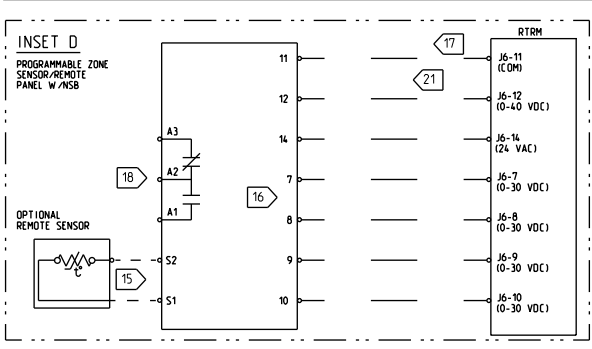
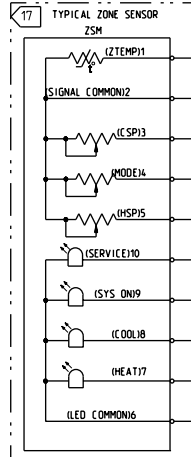
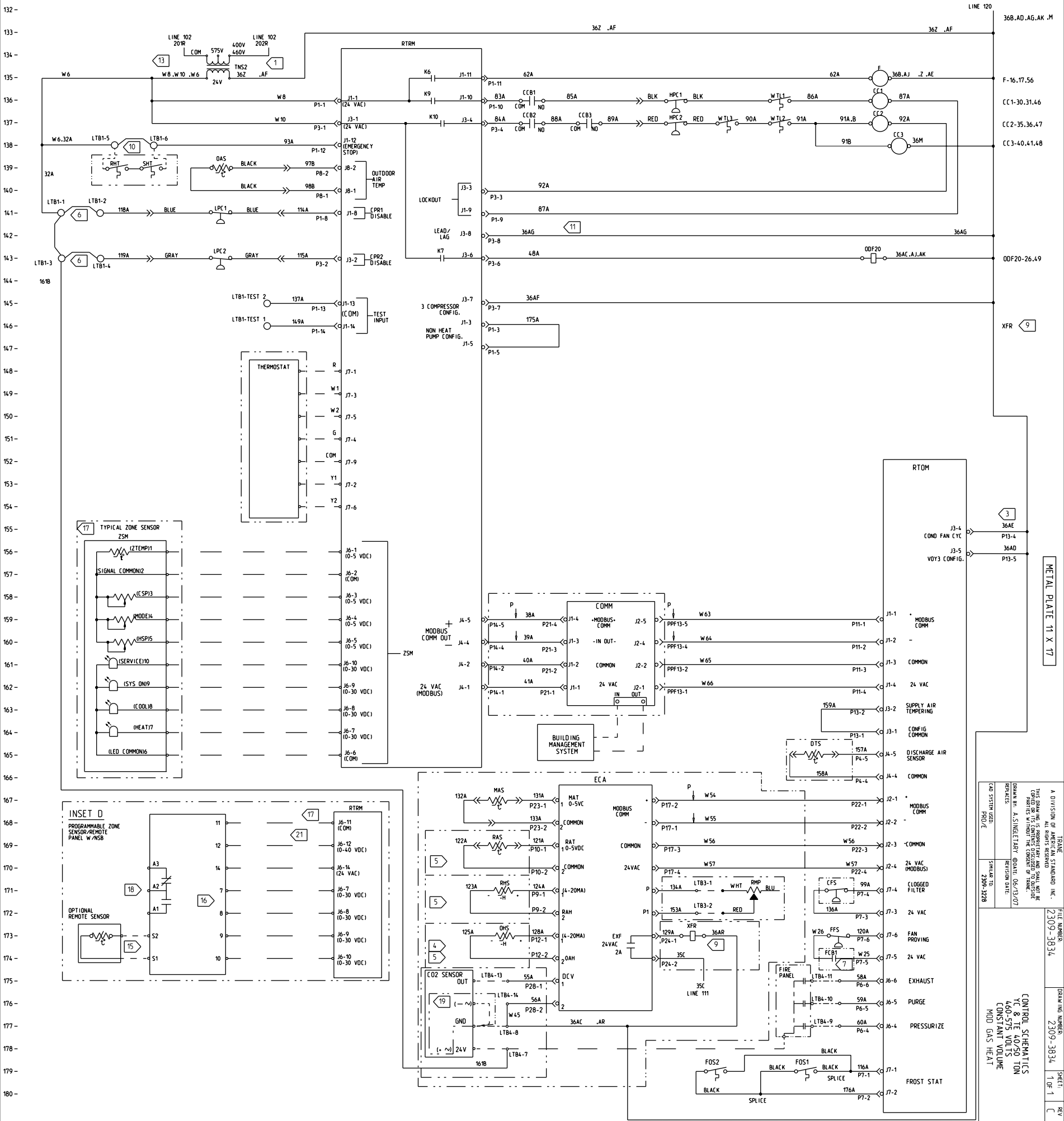
21 PROVIDE CONTACT CLOSURE BETWEEN RTRM J6-11 & RTRM J6-12 TO ENABLE UNOCCUPIED MODE WHEN NOT USING PROGRAMMABLE ZSM/REMOTE PANEL OR BMS.

• • • LEGEND • • •

DEVICE DESIGNATION	DESCRIPTION	LINE NUMBER
CC1	COMPRESSOR CONTACTOR #1	136
CC2	COMPRESSOR CONTACTOR #2	137
CC3	COMPRESSOR CONTACTOR #3	138
CFS	CLOGGED FILTER SWITCH	171
CO2	CO2 SENSOR	175
COMM	COMMUNICATIONS MODULE	159
DTS	DISCHARGE TEMP SENSOR	165
ECA	ECONOMIZER ACTUATOR	167
F	IDM FAN CONTACTOR	135
FIRE PANEL	FIRE PANEL	175
FFS	FAN FAILURE SWITCH	173
FOS1	FROST STAT 1	179
FOS2	FROST STAT 2	179
HPC1	HIGH PRESSURE CUTOFF #1	136
HPC2	HIGH PRESSURE CUTOFF #2	137
LPC1	LOW PRESSURE CUTOFF #1	141
LPC2	LOW PRESSURE CUTOFF #2	143
MAS	MIXED AIR SENSOR	167
OAS	OUTSIDE AIR SENSOR	139

• • • LEGEND • • •

DEVICE DESIGNATION	DESCRIPTION	LINE NUMBER
ODF20	OUTDOOR FAN RELAY #20	143
OHS	OUTSIDE HUMIDITY SENSOR	173
RAS	RETURN AIR SENSOR	169
RHS	RETURN HUMIDITY SENSOR	171
RHT	RETURN HIGH TEMP.	139
RMP	REMOTE MINIMUM POSITION	171
RTRM	REFRIGERATION MODULE	134,168
SHT	SUPPLY HIGH TEMP.	139
RTOM	OPTIONS MODULE	153
THERMOSTAT	THERMOSTAT	148
TNS2	CONTROL TRANSFORMER	134
WTL1	WINDING TEMP LIMIT #1	136
WTL2	WINDING TEMP LIMIT #2	137
WTL3	WINDING TEMP LIMIT #3	137
XFR	EXHAUST FAN RELAY	173
ZSM	ZONE SENSOR MODULE	156,168



TRANS: A DIVISION OF AMERICAN STANDARD, INC. 2309-3834

DATE: 06/12/07

REVISIONS:

REV: 1

DATE: 06/12/07

BY: [Signature]

DESCRIPTION: CONTROL SCHEMATICS YC & TE 40/50 TON 460-575 VOLTS CONSTANT VOLUME MOD GAS HEAT

DRAWING NUMBER: 2309-3834

SHEET: 1 OF 1

REV: C