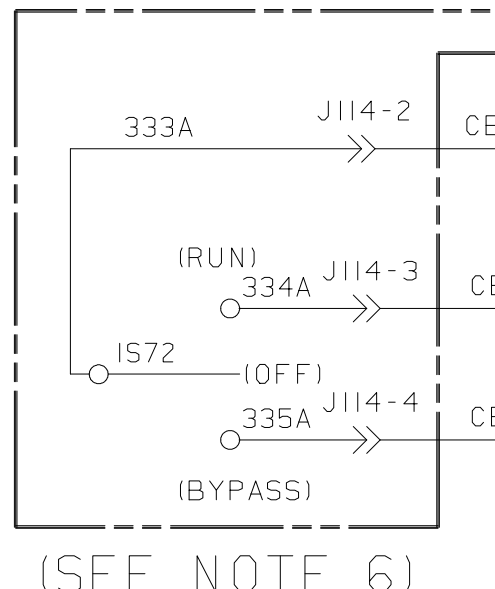


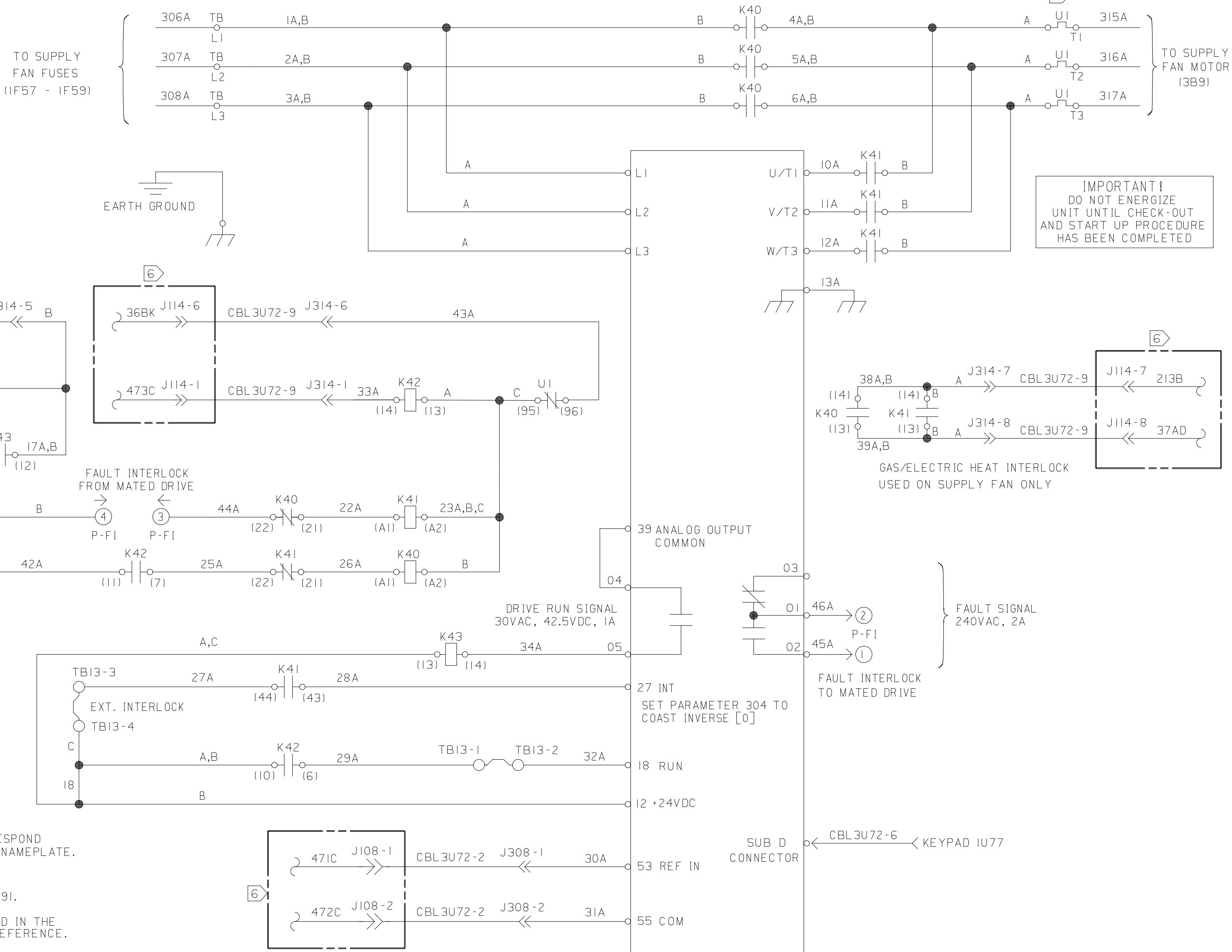
WARNING
HAZARDOUS VOLTAGE!
DISCONNECT ALL ELECTRIC POWER INCLUDING REMOTE DISCONNECTS BEFORE SERVICING.
FAILURE TO DISCONNECT POWER BEFORE SERVICING CAN CAUSE SEVERE PERSONAL INJURY OR DEATH.

AVERTISSEMENT
VOLTAGE HASARDEUX!
DISCONNECTEZ TOUTES LES SOURCES ELECTRIQUES INCLUANT LES DISJONCTEURS SITUES A DISTANCE AVANT D'EFFECTUER L'ENTRETIEN.
FAUTE DE DECONNECTER LA SOURCE ELECTRIQUE AVANT D'EFFECTUER L'ENTRETIEN PEUT ENTRAÎNER DES BLESSURES CORPORELLES SEVERES OU LA MORT.

CAUTION
USE COPPER CONDUCTORS ONLY!
UNIT TERMINALS ARE NOT DESIGNED TO ACCEPT OTHER TYPES OF CONDUCTORS.
FAILURE TO DO SO MAY CAUSE DAMAGE TO THE EQUIPMENT.



- NOTES:
- UNLESS OTHERWISE NOTED, ALL SWITCHES ARE SHOWN AT 25° C (77° F), AT ATMOSPHERIC PRESSURE, AT 50% RELATIVE HUMIDITY, WITH ALL UTILITIES TURNED OFF, AND AFTER A NORMAL SHUTDOWN HAS OCCURRED.
 - ALL FIELD WIRING MUST BE IN ACCORDANCE WITH THE NATIONAL ELECTRIC CODE (NEC), STATE AND LOCAL REQUIREMENTS.
 - THE OVERLOAD RELAY TRIP SETTING MUST BE ADJUSTED TO CORRESPOND WITH THE MOTOR FULL LOAD CURRENT AS SHOWN ON THE MOTOR NAMEPLATE.
 - THIS PANEL LAYOUT IS APPLICABLE TO FIGURE 1 OF X13170391.
 - INSET A LAYOUT IS APPLICABLE TO FIGURES 2 AND 3 OF X13170391.
 - J108, J114, IS72 & ASSOCIATED WIRING CONNECTIONS ARE LOCATED IN THE MAIN UNIT CONTROL BOX. SCHEMATIC WIRING SHOWN HERE FOR REFERENCE.



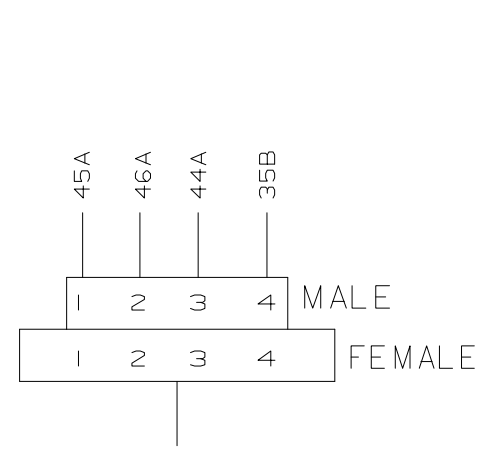
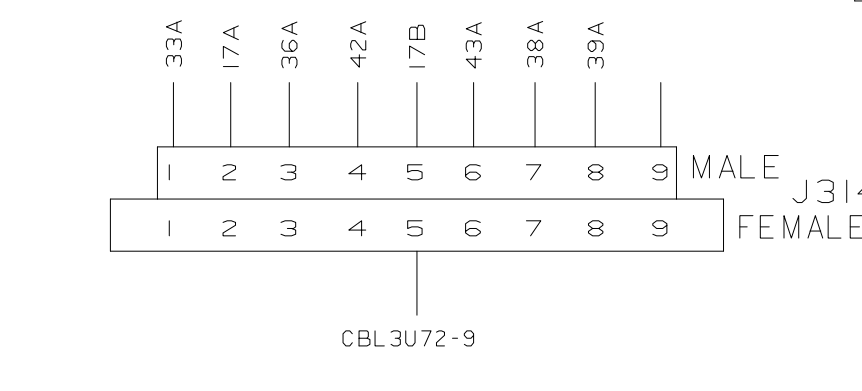
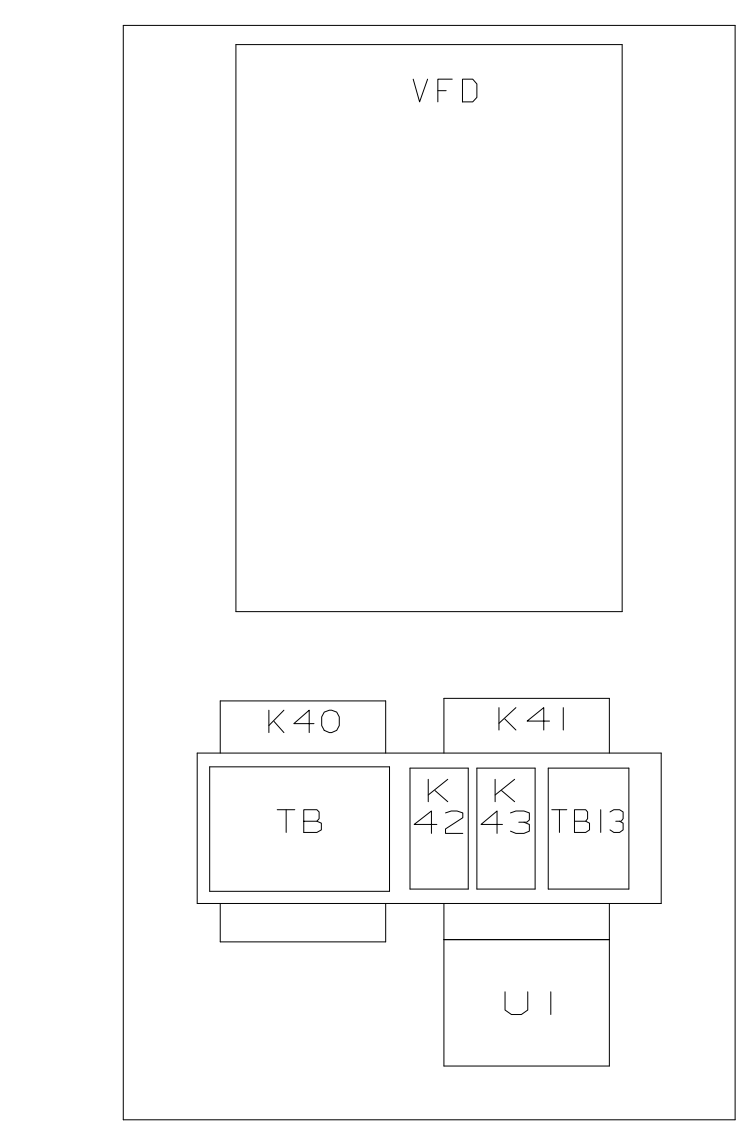
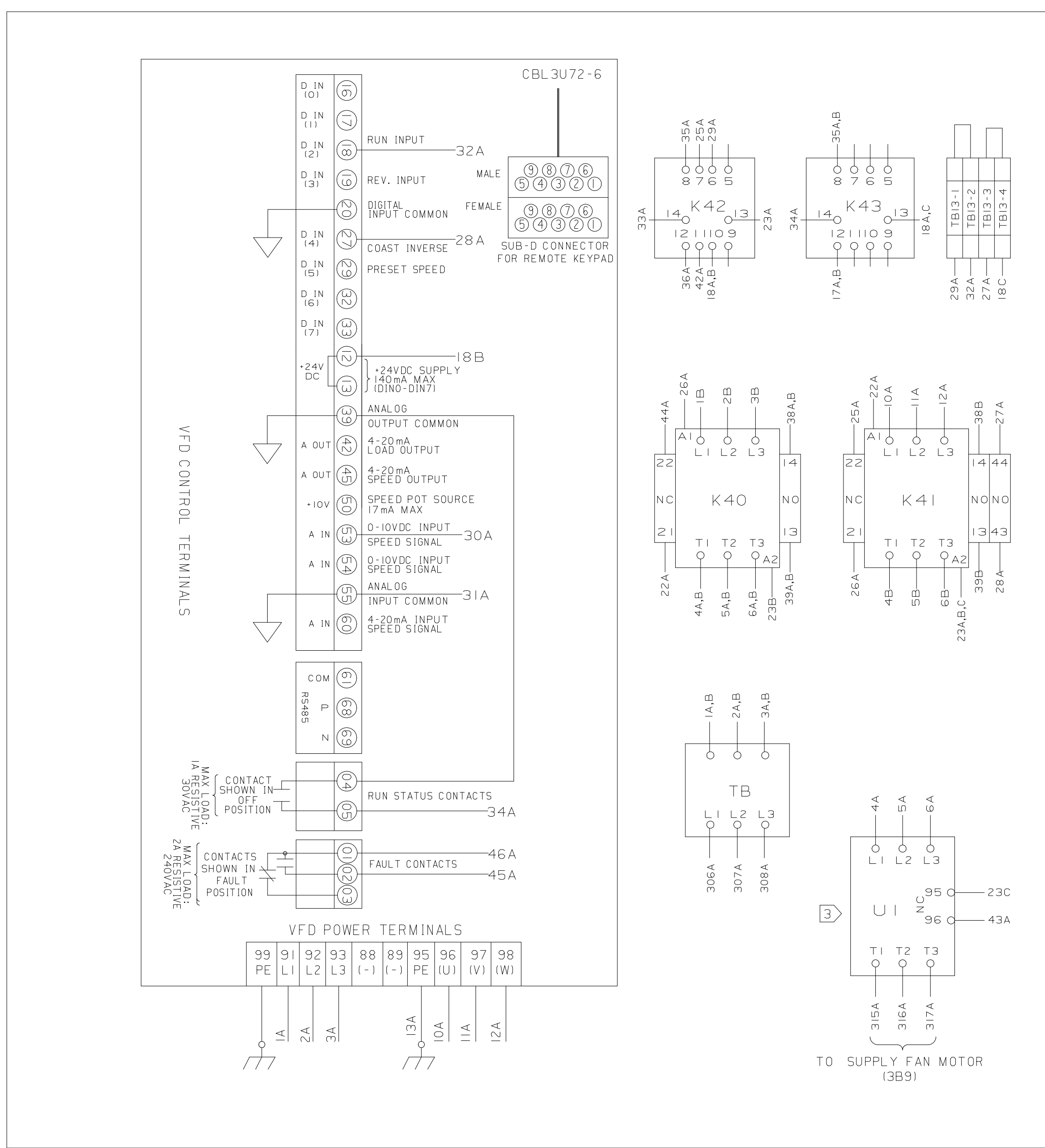
ABBREVIATIONS		
IS72	SUP. BYPASS SWITCH	6
K40	BYPASS CONTACTOR	
K41	DRIVE OUTPUT CONTACTOR	
K42	RUN COMMAND RELAY	
K43	FD RUN STATUS RELAY	
U1	OVERLOAD	
TB	TERMINAL BLOCK	
VFD	VARIABLE FREQUENCY DRIVE	

DEVICE PREFIX LOCATION GUIDE	
AREA	LOCATION
1	INSIDE UNIT CONTROL BOX
2	CONDENSER SECTION
3	AIR HANDLER SECTION
4	HEATING SECTION
5	EXTERNAL FIELD MOUNTED DEVICE

3U72 SUPPLY VFD ASSEMBLY #1

(SEE NOTE 4)

INSET A (SEE NOTE 5)



REPLACES:	CAD55
	SIMILAR TO: 2307-4570
DATE:	08/01/03
DESIGNED BY:	P. BRUCE JR.

TRANE
A DIVISION OF AMERICAN STANDARD, INC.
THIS DRAWING IS APPROVED FOR RELEASE AND SHALL NOT BE COPIED OR ITS CONTENTS DISCLOSED TO OUTSIDE PARTIES WITHOUT THE WRITTEN CONSENT OF TRANE.

FILE NUMBER: 2309-3200
DRAWING NUMBER: 2309-3200
REV: C

ROOFTOP PACKAGED AIR CONDITIONER
SCHEMATIC AND CONNECTION DIAGRAM
SUPPLY FAN VARIABLE FREQUENCY
#1 DRIVE W/ BYPASS CONTROL