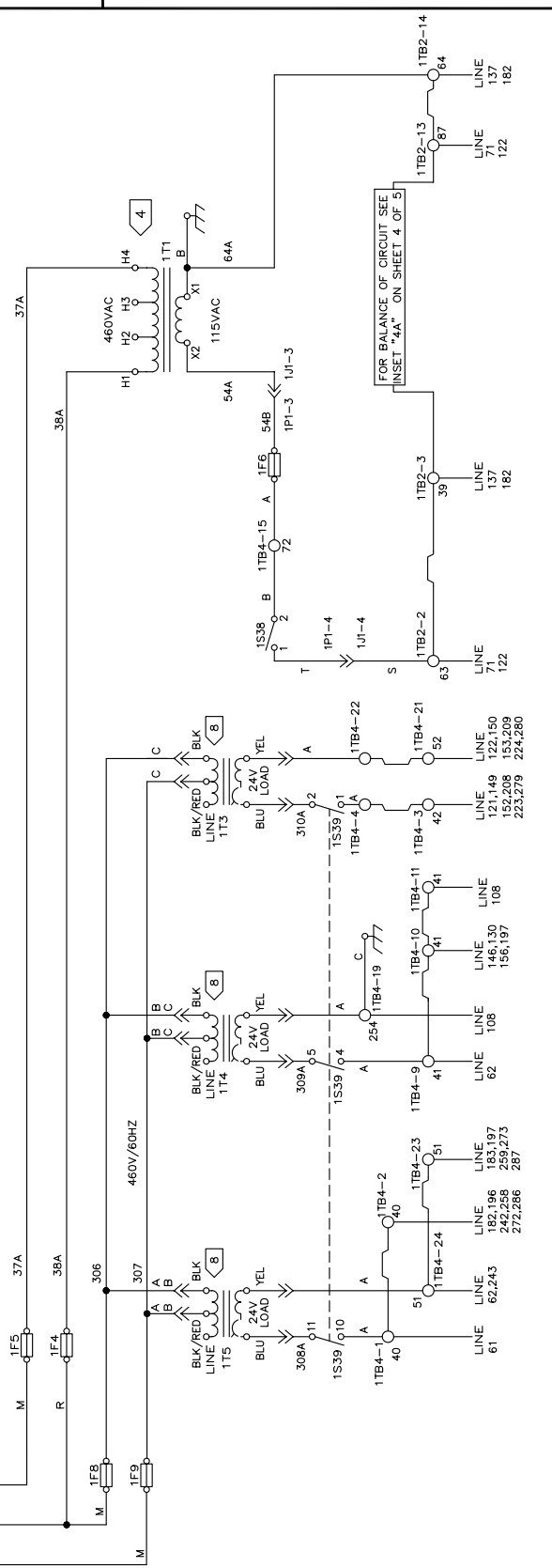
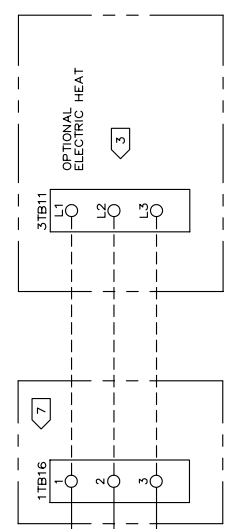
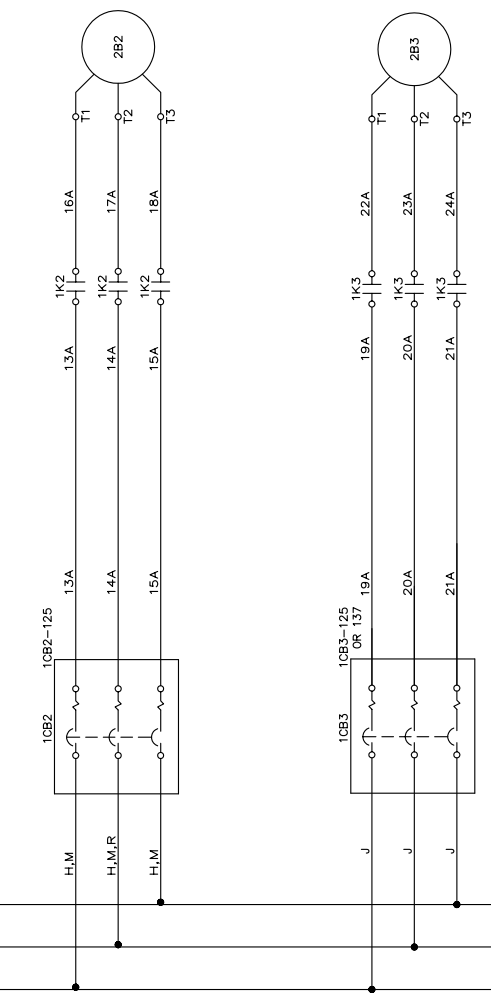
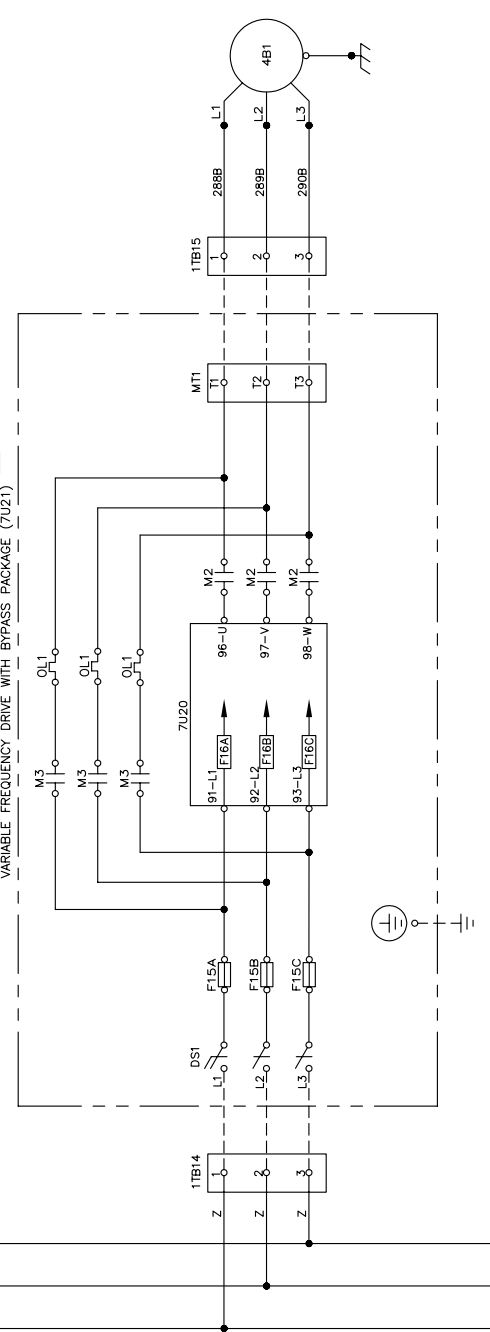


DEVICE DESIGNATION	DESCRIPTION	LINE NUMBER
1CB3	COMPRESSOR CIRCUIT BREAKER	25-27
1CB3	COMPRESSOR CIRCUIT BREAKER	32-34
1DL1	TIME DELAY RELAY	141,160
1DL2	TIME DELAY RELAY	145,164
1FA5	TRANS. PRIMARY FUSE	50,51
1FA6	TRANS. SECONDARY FUSE	56
1FA9	TRANS. PRIMARY FUSE	52,53
1K2	COMPRESSOR CONTACTOR	123,124,154
1K3	COMPRESSOR CONTACTOR	127,156,158
1K7	VFD START COMMAND RELAY	74
1K8	VFD START COMMAND RELAY	72
1S1	DISCONNECT SWITCH	5
1S38	115V CONTROL CIRCUIT SWITCH	56
1S39	24V CONTROL CIRCUIT SWITCH	57
1T1	CONTROL POWER TRANS. (115V)	10,42
1T3,4,5	CONTROL POWER TRANS. (24V)	55
1TB1	LINE VOLTAGE TERMINAL BLOCK	8
1TB2,3	115VAC FACTORY TERMINAL BLOCK	
1TB4	24VAC FACTORY TERMINAL BLOCK	
1TB5	24VAC FACTORY TERMINAL BLOCK	
1TB6	115VAC FIELD TERMINAL BLOCK	
1TB7,11	24VAC FIELD TERMINAL BLOCK	
1TB8,10	115VAC FIELD TERMINAL BLOCK	
1TB9	24VAC FIELD TERMINAL BLOCK	
1TB12	COMM. FACTORY TERMINAL BLOCK	
1TB14	VFD INPUT POWER CONNECTIONS	18
1TB15	VFD OUTPUT POWER CONNECTIONS	18
1TB16	200/460V ELECT. HEAT CONNECT	40-42
1U10	TIME CLOCK	111
1U32	RTM MODULE	61
1U33	MULTIPLE CIRCUIT MODULE	121
1U34	HEAT MODULE	182,196
1U35	GENERIC BAS MODULE	223
1U36	COMPARATIVE ENTHALPY MODULE	242
1U37	VENTILATION OVERRIDE MODULE	258
1U39	INTERPROCESSOR COMM. BRIDGE	279
1U40	VENTILATION CONTROL MODULE	208
1U41	WATER-SEDE MODULE	149
1U42	HUMAN INTERFACE MODULE	286
1U43	TRAGER/ALO-1 COMM. INTERFACE	272
1U46	PRESSURE TRANSDUCER (VOM)	93
1U49	PRESSURE TRANSDUCER (VOM)	211
2B2,3	A & B COMPRESSOR	26,33
2B2S10	COMPRESSOR A WINDING TSTAT	124,125,156
2B3S11	COMPRESSOR B WINDING TSTAT	125,137,156
2RT11	ENT. CONDENSER WATER TEMP.	151
2RT14	SAT. CONDENSER TEMP. CKT.1	127
2RT15	SAT. CONDENSER TEMP. CKT.2	139
2RT18	ENT. WATER TEMP. SENSOR	161 OR 162
2S18	LOW PRESSURE CUTOFF CKT.1	125,156
2S19	LOW PRESSURE CUTOFF CKT.2	137
2S2	HIGH PRESSURE CUTOFF CKT.1	124,125,156

VARIABLE FREQUENCY DRIVE WITH BYPASS PACKAGE (7U21)



- NOTES:
- UNLESS OTHERWISE NOTED, ALL SWITCHES ARE NORMALLY IN THE "ON" POSITION. ALL UTILITIES TURNED OFF, AND AFTER A NORMAL SHUTDOWN HAS OCCURRED.
 - DASHED LINES INDICATE RECOMMENDED FIELD WIRING BY OTHERS. DASHED LINE ENCLOSURES REPRESENT FIELD WIRING. FIELD PLANT COMPONENTS PROVIDED BY THE FIELD PLANT. LINE ENCLOSURES INDICATE ALTERNATE CIRCUITRY OR AVAILABLE SALES OPTIONS. SOLID LINES INDICATE WIRING BY TRANE CO.
 - WIRING SHOWN IS FOR FIELD INSTALLED ELECTRIC HEAT. WIRING FOR OTHERS IS SHOWN IN DASHED LINES. SEE ELECTRICAL SCHEMATIC DIAGRAM LOCATED ON ELECTRIC HEATER CONTROL PANEL.
 - CONNECTIONS SHOWN TO TRANSFORMERS 1T1 ARE FOR 460V OPERATION. SEE INSET "A" FOR 200V. SEE INSET "B" FOR 575V.
 - TERMINAL BLOCK 1TB16 IS PRESENT ONLY ON UNITS WITH ELECTRIC HEAT OPTION.
 - CONNECTIONS SHOWN TO TRANSFORMERS 1T3, 1T4, & 1T5 ARE FOR 460V OPERATION. SEE INSET "C" FOR 200/575V.
 - ELECTRICAL CIRCUITRY SHOWN FOR REFERENCE ONLY. ELECTRICAL WIRING FOR VFD BYPASS PACKAGE TO SCHEMATICS PROVIDED WITH VFD BYPASS ENCLOSURE.

DEVICE DESIGNATION	DESCRIPTION	LINE NUMBER
2S3	HIGH PRESSURE CUTOFF CKT.2	125,137,156
2S4O	ENT. AIR LOW TEMP. LIMIT	168
2S6	WATER FLOW SWITCH	158 OR 159
2U43	BYPASS VALVE ACTUATOR	155
3L2	ECONOMIZER VALVE ACTUATOR	210
3TB11	ELECTRIC HEATER CONNECTION	40-42
3TB14	ELECTRIC HEATER CONNECTION	185,186
4EPT	SUPPLY FAN MOTOR	18
4EPT	REFRIGERANT VALVE SOLENOID	142,161
4EPT	SUPPLY AIR TEMP. SENSOR	143,162
4RT11	AUX. TEMP. SENSOR	91
4RT11	AUX. TEMP. SENSOR	213
4RT14	MIXED AIR TEMP. SENSOR	174
4RT17	EVAP. TEMP. SENSOR CKT.1	123
4RT18	EVAP. TEMP. SENSOR CKT.2	135
4S17	RETURN AIR HIGH TEMP. LIMIT	115
4S41	ENT. AIR LOW TEMP. LIMIT	204
4S42	SUPPLY AIRFLOW PROVING SWITCH	113
4S43	HYD. HEAT LEAVE. AIR TEMP. LIMIT	198
4S8	DIRTY FILTER SWITCH	117
4U7	INLET GUIDE VANE ACTUATOR	66
5RT19	OUTDOOR AIR TEMP. SENSOR	100
5RT20	RETURN AIR TEMP. SENSOR	251
5RT15	MORNING WARM-UP SENSOR	186,201
5S16	SUPPLY AIR HIGH TEMP. LIMIT	115
5S22	FUSED DISCONNECT SWITCH (FIELD)	2
5S45	PLENUM HIGH STATIC PRESSURE SW	115
5U22	CV REMOTE PANEL	78
5U23	ZONE TEMP. SENSOR	65
5U24	REMOTE PANEL W/ NSB	86
5U25	VAV REMOTE PANEL	76
5U26	ZONE RESET TEMP. SENSOR	97
5U27	OUTDOOR AIR HUMIDITY SENSOR	104
5U28	REMOTE AIR HUMIDITY SENSOR	291
5U29	CV ZONE PANEL	76
5U30	REMOTE ZONE TEMP. SENSOR	88
5U47	RETURN AIR HUMIDITY SENSOR	253
5U60	CO2 SENSOR	214
5U9	ASE ACTUATOR	65,67
6U13	HYDROVIC HEAT ACTUATOR	198
7U20	VARIABLE FREQUENCY DRIVE	17,87
7U21	VFD WITH BYPASS PACKAGE	17,87
8RT21	SAT. CONDENSER TEMP. CKT.1	127
8RT22	SAT. CONDENSER TEMP. CKT.2	139
8U44	LOW AMBIENT DAMPER ACTUATOR	133,166
8U45	LOW AMBIENT DAMPER ACTUATOR	146
W1	RUN PERMISSION JUMPER	72
W1	EMERGENCY STOP JUMPER	115
W13	SUPP. HIGH TEMP. LIMIT JUMPER	115
W14	EXTERNAL AUTO/STOP JUMPER	109
W30	WATER FLOW SWITCH JUMPER	159
W31	ENT. AIR LOW TEMP. JUMPER	168
W32	GBAS JUMPER	239
W39	CEM JUMPER	244

AREA	LOCATION
1	UNIT CONTROL PANEL
2	COMPRESSOR SECTION
3	ELECTRIC HEATER CONTROL PANEL
4	SUPPLY FAN & COIL SECTION
5	FIELD INSTALLED DEVICE
6	STEAM/HOT WATER HEAT SECTION
7	INVERTER CONTROL PANEL
8	REMOTE AIR COOLED COND SECTION (CCRB)

WARNING
HAZARDOUS VOLTAGE!
DISCONNECT ALL ELECTRIC POWER INCLUDING REMOTE DISCONNECTS AND LOCK/OUT THE SYSTEM BEFORE SERVICING. INSURE THAT ALL MOTOR CAPACITORS HAVE DISCHARGED. SERVICING OF THIS EQUIPMENT MUST REFER TO THE VFD INSTRUCTIONS FOR CAPACITOR DISCHARGE. FAILURE TO DO THE ABOVE BEFORE SERVICING COULD RESULT IN DEATH OR SERIOUS INJURY.

AVERTISSEMENT
TENSION DANGEREUSE!
COUPER TOUTES LES TENSIONS ET OUVRIER LES SECTIONNEURS A DISTANCE. VERIFIER QUE TOUTES LES CAPACITATEURS AIENT ETETE DECHARGES AVANT TOUTE INTERVENTION. VERIFIER QUE TOUTES LES CAPACITATEURS AIENT ETETE DECHARGES AVANT TOUTE INTERVENTION. LE SERVICER DE CE EQUIPEMENT DOIT SE REFERER AUX INSTRUCTIONS POUR LE DECHARGEMENT DES CONDENSATEURS. L'EGALISATION DES TENSIONS AVANT LE SERVICER PEUT ENTRAÎNER LA MORT OU DES BLESSURES GRAVES.

ADVERTENCIA
VOLTAJE PELIGROSO!
DESCONECTE TODA LA ENERGIA ELECTRICA, INCLUIDOS LOS DESCONECTOS REMOTOS, Y BLOQUEE Y ETIQUETE ANTES DE PROCEDER AL SERVICIO. ASEGURESE DE QUE TODOS LOS CAPACITORES DEL MOTOR HAYAN SIDO DESCARGADOS EL VOLTAJE ALMACENADO. PARA LAS UNIDADES CON USE DE SERVICIO, REFERIRSE A LAS INSTRUCCIONES PARA LA DESCARGA DEL CONDENSADOR. EL NO REALIZAR LO ANTERIORMENTE EN LA SERVICIO PUEDE RESULTAR EN LA MUERTE O SERIAS LESIONES PERSONALES.

NOTICE
USE COPPER CONDUCTORS ONLY. UNIT TERMINALS ARE NOT DESIGNED TO ACCEPT OTHER TYPES OF CONDUCTORS. FAILURE TO DO THE ABOVE COULD RESULT IN EQUIPMENT DAMAGE.

AVIS
N'UTILISER QUE DES CONDUCTEURS EN CUIVRE! LES TERMINAUX DE L'UNITE NE SONT PAS CONÇUS POUR RECEVOIR D'AUTRES TYPES DE CONDUCTEURS. FAIRE DEFAULT A LA PROCEDURE CI-DESSUS PEUT ENTRAÎNER DES DOMMAGES A L'EQUIPEMENT.

AVISO
UTILICE UNICAMENTE CONDUCTORES DE COBRE! LAS TERMINALES DE LA UNIDAD NO ESTAN DISEÑADAS PARA RECIBIR OTROS TIPOS DE CONDUCTORES. NO SEGUIR LAS INSTRUCCIONES ANTERIORES PUDE PROVOCAR DAÑOS EN EL EQUIPO.

CN SC5677
29-DEC-08
K. DANIELS

TRANE
THIS DRAWING IS PROPRIETARY AND SHALL NOT BE COPIED OR ITS CONTENTS DISCLOSED TO OUTSIDE PARTIES WITHOUT THE WRITTEN CONSENT OF TRANE
DRAWN BY: M. PETERS © TRANE DATE: 27-NOV-07
DO NOT SCALE PRINT
THIRD ANGLE PROJECTION

2307-8272
SHEET 1 OF 5
SCHEMATIC WIRING DIAGRAM
COMMERCIAL SELF CONTAINED,
VFD W/ BYPASS,
200V, 460, 575V/60HZ/3PH
S*WG 20-35 TON & S*RG 20-32 TON