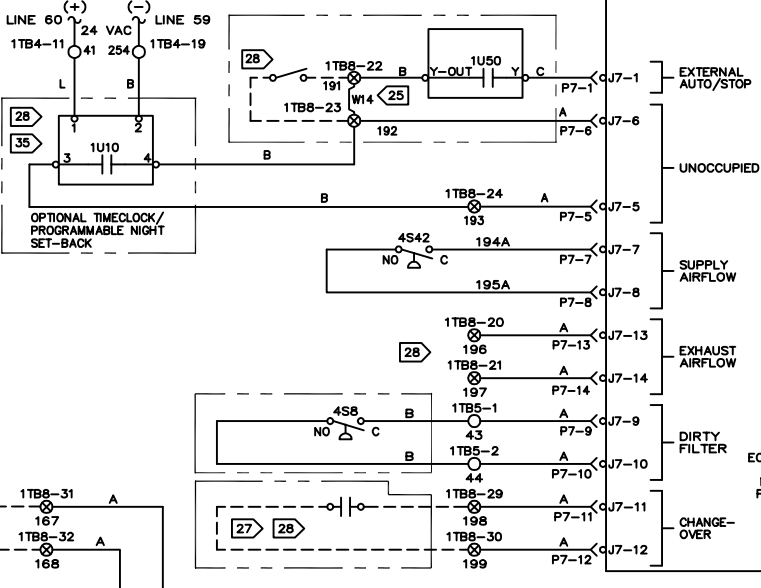
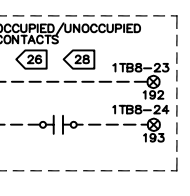


SENSORS AVAILABLE FOR EACH CONTROL TYPE

CV	VAV
5U22	5U25
5U29	5U26
5U24	5U24
5U23	5U23
5U30	5U30



NOTICE
 USE COPPER CONDUCTORS ONLY!
 UNIT TERMINALS ARE NOT DESIGNED TO ACCEPT OTHER TYPES OF CONDUCTORS.
 FAILURE TO DO THE ABOVE COULD RESULT IN EQUIPMENT DAMAGE.

AVIS
 N'UTILISER QUE DES CONDUCTEURS EN CUIVRE!
 LES BORNES DE L'UNITÉ NE SONT PAS CONÇUES POUR RECEVOIR D'AUTRES TYPES DE CONDUCTEURS.
 FAIRE DÉFAUT À LA PROCÉDURE CI-DESSUS PEUT ENTRAÎNER DES DOMMAGES À L'ÉQUIPEMENT.

AVISO
 UTILICE ÚNICAMENTE CONDUCTORES DE COBRE!
 LAS TERMINALES DE LA UNIDAD NO ESTÁN DISEÑADAS PARA ACEPTAR OTROS TIPOS DE CONDUCTORES.
 NO SEGUIR LAS INSTRUCCIONES ANTERIORES PUEDE PROVOCAR DAÑOS EN EL EQUIPO.

WARNING
 HAZARDOUS VOLTAGE!
 DISCONNECT ALL ELECTRIC POWER INCLUDING REMOTE DISCONNECTS AND FOLLOW LOCK OUT AND TAG PROCEDURES BEFORE SERVICING. INSURE THAT ALL MOTOR CAPACITORS HAVE DISCHARGED STORED VOLTAGE. UNITS WITH VARIABLE SPEED DRIVE, REFER TO DRIVE INSTRUCTIONS FOR CAPACITOR DISCHARGE.
 FAILURE TO DO THE ABOVE BEFORE SERVICING COULD RESULT IN DEATH OR SERIOUS INJURY.

AVERTISSEMENT
 TENSION DANGEREUSE!
 COUPER TOUTES LES TENSIONS ET OUVRIER LES SECTIONNEURS À DISTANCE, PUIS SUIVRE LES PROCÉDURES DE VERROUILLAGE ET DES ÉTIQUETTES AVANT TOUTE INTERVENTION. VÉRIFIER QUE TOUTS LES CONDENSATEURS DES MOTEURS SONT DÉCHARGÉS. DANS LE CAS D'UNITÉS À VITESSE VARIABLE, SE REPORTER AUX INSTRUCTIONS DE L'ENTRAÎNEMENT POUR DÉCHARGER LES CONDENSATEURS.
 NE PAS RESPECTER CES MESURES DE PRÉCAUTION PEUT ENTRAÎNER DES BLESSURES GRAVES POUVANT ÊTRE MORTELLES.

ADVERTENCIA
 ¡VOLTAJE PELIGROSO!
 DESCONECTE TODA LA ENERGÍA ELÉCTRICA, INCLUIDO LAS DESCONEXIONES REMOTAS Y SIGA LOS PROCEDIMIENTOS DE CIERRE Y ETIQUETADO ANTES DE PROCEDER AL SERVICIO. ASEGURESE DE QUE TODOS LOS CAPACITORES DEL MOTOR HAYAN DESCARGADO EL VOLTAJE ALMACENADO. PARA LAS UNIDADES CON EJE DE DIRECCIÓN DE VELOCIDAD VARIABLE, CONSULTE LAS INSTRUCCIONES PARA LA DESCARGA DEL CONDENSADOR.
 EL NO REALIZAR LO ANTERIORMENTE INDICADO, PODRÍA OCASIONAR LA MUERTE O SERIAS LESIONES PERSONALES.

- NOTES:**
- 20 OPTIONAL REMOTE PANEL (5U22) OR ZONE PANEL (5U29) OR REMOTE PANEL WITH NIGHT SET BACK (5U24) MAY BE USED WITH CV UNITS.
 - 21 FOR OPTIONAL REMOTE ZONE TEMP SENSOR, DO NOT CONNECT TERMINAL 1 OF (5U22) OR (5U29) AND CONNECT (5U23) AS SHOWN. 5U23 IS USED FOR: 1. CV REMOTE ZONE TEMP SENSING, OR 2. VAV UNOCCUPIED HEAT/COOL TEMP. CONTROL SENSING
 - 22 OPTIONAL REMOTE PANEL (5U25) OR REMOTE PANEL WITH NIGHT SET BACK (5U24) MAY BE USED WITH VAV UNITS.
 - 23 USE CLASS 1 WIRING FOR ALL 115V APPLICATIONS. BINARY INPUTS/OUTPUTS ASSOCIATED WITH FAN CONTROL ARE 115 VAC.
 - 24 UNIT WIRING SHOWS AIRSIDE ECONOMIZER INSTALLED. SEE INSET "A" WHEN O/A DAMPER IS REQUIRED.
 - 25 REMOVE JUMPER W14 FOR EXTERNAL AUTO/STOP INPUT.
 - 26 FIELD SUPPLIED AND INSTALLED OCCUPIED/UNOCCUPIED CONTACTS FOR USE ON UNITS WITHOUT REMOTE PANEL WITH NIGHT SETBACK (5U24).
 - 27 CHANGE-OVER INPUT TO BE USED ONLY ON VAV UNITS WITH HYDRONIC HEAT.
 - 28 USE CLASS 2 WIRING FOR 24 VAC AND 24 VDC APPLICATIONS. ANALOG/BINARY INPUTS AND ANALOG OUTPUTS ARE 24 VDC. BINARY OUTPUTS ARE 24 VAC.
 - 29 ALARM OUTPUT SWITCHES DURING ANY MANUAL RESET DIAGNOSTIC.
 - 30 O/A TEMP SENSOR REQUIRED FOR AIRSIDE ECONOMIZER OPERATION. LOW AMBIENT LOCK-OUT, AND AIR-COOLED LOW PRESSURE CUT-OUT TIME DELAY.
 - 31 WHEN 5U30 REMOTE ZONE TEMP SENSOR IS USED, ATTACH IT TO 5U24 TERMINALS S1 AND S2.
 - 32 OPTIONAL TIMED OVERRIDE INITIATE BUTTON.
 - 33 O/A HUMIDITY SENSOR REQUIRED FOR AIRSIDE ECONOMIZER OPERATION.
 - 34 REMOVE JUMPER W11, FOR RUN PERMISSION CONTROL. IF THIS CONTROL OPTION IS DESIRED, CUSTOMER CONNECTIONS MUST ALSO BE MADE FOR THE FAN RUN REQUEST CIRCUIT. SEE INSET B.
 - 35 CONTACTS CONNECTED TO THE UNOCCUPIED INPUT ARE CUSTOMER SUPPLIED WHEN THE TIMELOCK IS NOT FACTORY INSTALLED. UNIT WILL BE IN UNOCCUPIED MODE WHEN CONTACT IS CLOSED.
 - 36 REMOVE JUMPER W12 WHEN EMERGENCY STOP INPUT IS DESIRED. REMOVE JUMPER W13 WHEN SUPPLY DUCT HIGH TEMP. T'STAT AND/OR PLENUM HIGH STATIC PRESSURE SWITCH OPTION IS DESIRED.
 - 37 WHEN ELECTRIC HEAT IS INSTALLED, MOVE THE SUPPLY AIR TEMP. SENSOR DOWN STREAM OF THE ELECTRIC HEATERS.
 - 39 THE ZONE TEMP. SENSOR MAY BE ORDERED 3 DIFFERENT WAYS: 1) TEMP. THERMISTOR ONLY 2) TEMP. THERMISTOR WITH OVERRIDE AND CANCEL BUTTONS 3) TEMP. THERMISTOR WITH OVERRIDE/CANCEL BUTTONS WITH VARIABLE SETPOINT POTENTIOMETER.

CN: SC6366
 16-MAY-11
 B. SPAINHOUR

DO NOT SCALE PRINT

THIRD ANGLE PROJECTION

W/AFD
 200, 460 & 575V/60HZ/3PH
 SW/F 20-80T & S*RF 20-60T

COMMERCIAL SELF CONTAINED

2307-8260
 SHEET 2 OF 5
 REV H

THIS DRAWING IS PROPRIETARY AND SHALL NOT BE COPIED OR ITS CONTENTS DISCLOSED TO OUTSIDE PARTIES WITHOUT THE WRITTEN CONSENT OF TRANE
 DRAWN BY: MCCLELLAN
 DATE: 16-NOV-00