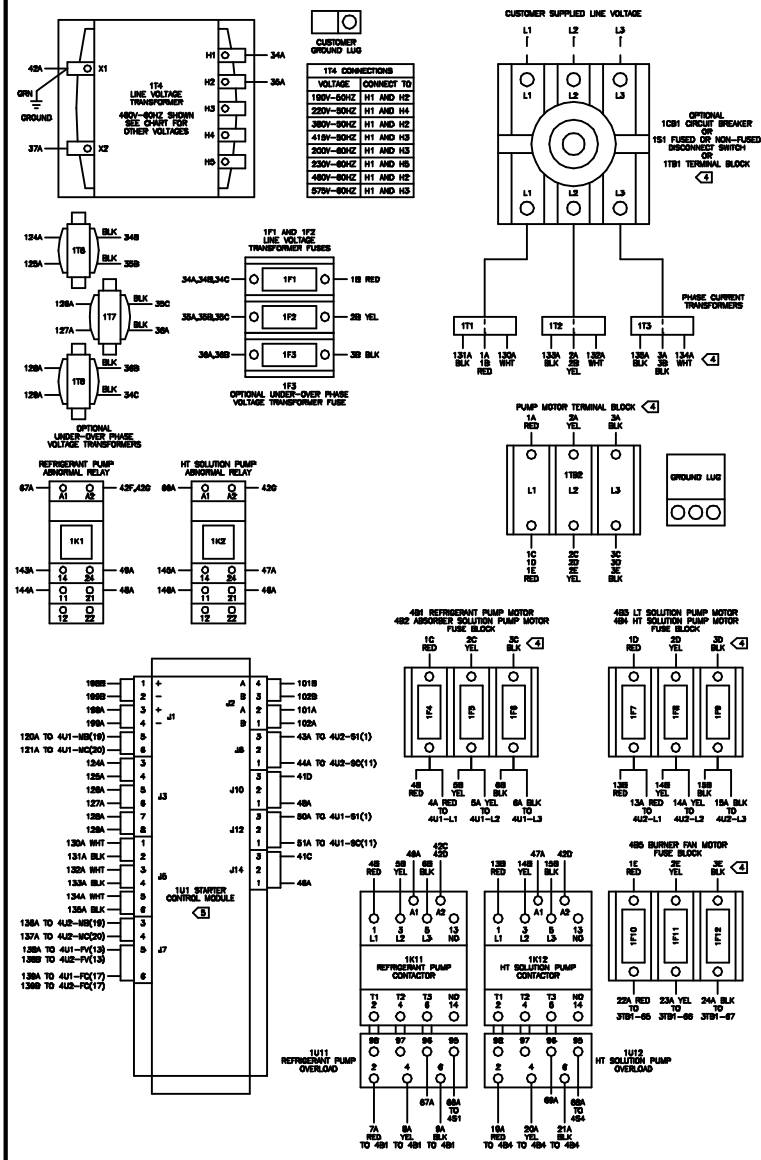
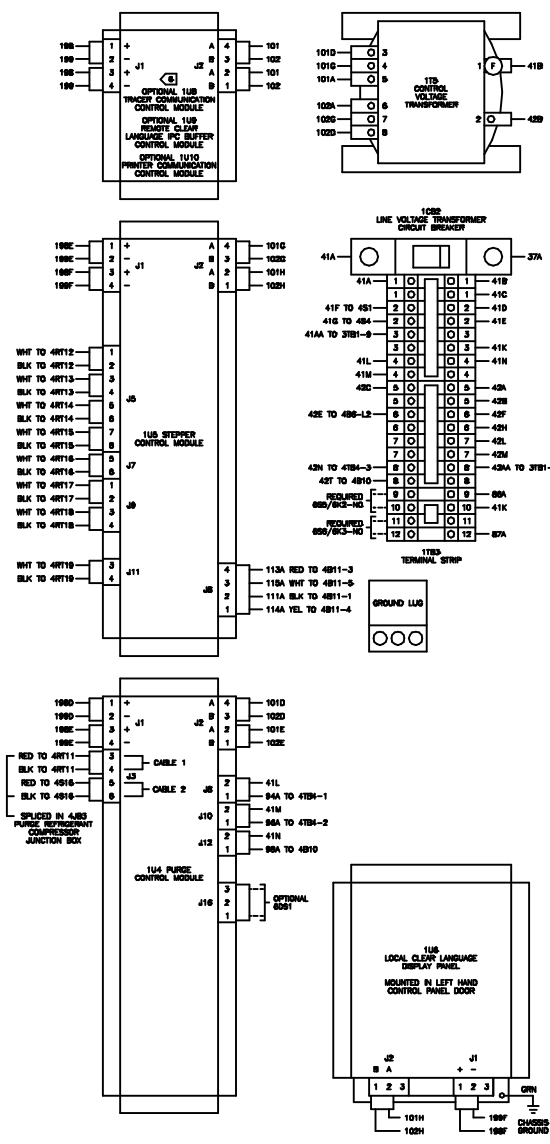
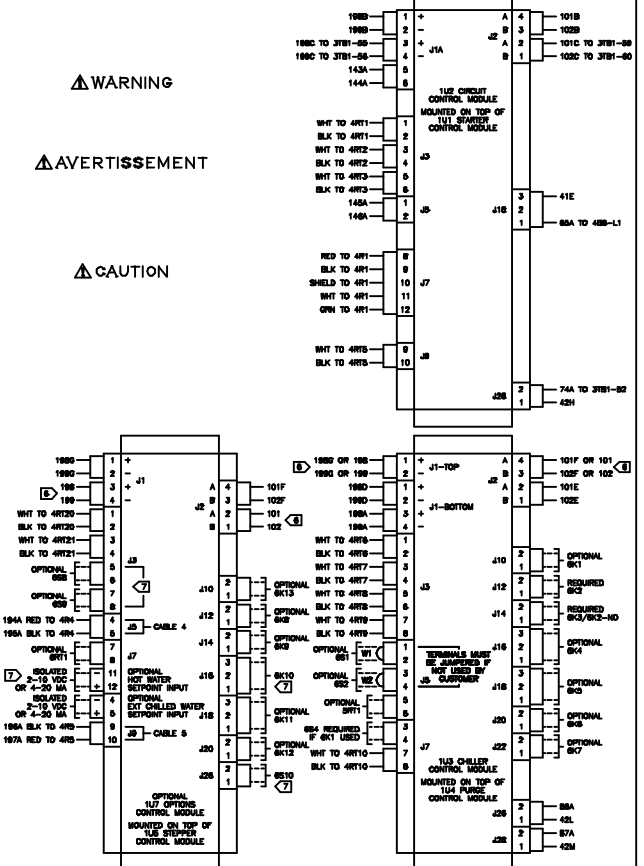


MAIN UNIT CONTROL PANEL



1	MAIN UNIT CONTROL PANEL	2	BURNER CONTROL PANEL	3	UNIT MOUNTED DEVICES	4	REPEATED INDICATED DEVICES	5	CUSTOMER PROVIDED DEVICES
---	-------------------------	---	----------------------	---	----------------------	---	----------------------------	---	---------------------------

- NOTE:
- REFER TO DRAWING 2307-8227 FOR UNIT MOUNTED DEVICES AND WIRING. REFER TO DRAWINGS 2307-8228 THRU 8236 FOR BURNER, BURNER CONTROL, PANEL AND FUEL TRAIN MOUNTED DEVICES AND WIRING INSTRUCTIONS.
 - ALL TRIMME DEVICES AND ASSOCIATED WIRING SHOWN AS OPTIONAL MAY NOT BE PRESENT ON THE UNIT UNLESS REQUIRED BY CONTROL OPTIONS SPECIFIED ON THE SALES ORDER. REFER TO THE AS-BUILT SCHEMATIC WIRING DIAGRAM SUPPLIED WITH THE UNIT TO DETERMINE OPTIONAL TRIMME DEVICES AND WIRING ACTUALLY SUPPLIED ON THE UNIT.
 - DASHED LINES INDICATE DEVICES AND WIRING TO BE PROVIDED BY CUSTOMER. REFER TO THE AS-BUILT SCHEMATIC WIRING AND UNIT FIELD CONNECTION DIAGRAMS SUPPLIED WITH THE UNIT TO DETERMINE THE ACTUAL CUSTOMER SUPPLIED DEVICES AND WIRING REQUIRED ON THE UNIT.
 - 151 NON-FUSED DISCONNECT SWITCH SHOWN. OPTIONAL LINE VOLTAGE POWER CONNECTIONS MAY BE TO A 151 FUSED DISCONNECT SWITCH, 118T TERMINAL BLOCK OR 1201 CIRCUIT BREAKER AS SPECIFIED ON THE SALES ORDER FOR THE LINE. IF THE 118T TERMINAL BLOCK IS SPECIFIED FOR THE LINE VOLTAGE POWER CONNECTION, THE 118T TERMINAL BLOCK SHOWN IS NOT PRESENT AND 118L THRU 118P WIRE WIRING WILL PASS THRU IT, 112 AND 113 PHASE CURRENT TRANSFORMERS AND CONNECT DIRECTLY TO THE 118T TERMINAL BLOCK.
 - TERMINALS INDICATED FOR WIRING TO 401 AND 402 DEVICES ARE USED ON ALL UNIT LINE VOLTAGES EXCEPT 570V-600V. WHEN UNIT LINE VOLTAGE IS 570V-600V, DEVICE TERMINALS SHOWN IN PARENTHESES ARE USED.
 - COMMUNICATION MODULES LISTED IN ORDER OF MOUNTING PREFERENCE TO CONTROL PANEL. WHEN ANY COMBINATION OF MODULES ARE PRESENT, 117 OPTIONS COMMUNICATION WIRE 186 AND 188) AND 24 VAC WIRE 101 AND 102) WIRING IS JAMPED BETWEEN MODULES. IF OPTIONAL 117 OPTIONS COMMUNICATION WIRE 186 AND 188) IS PRESENT, COMMUNICATION CONTROL MODULES ARE WIRED TO 115S CABLES CONTROL MODULES AS FOLLOWS: WIRE 186 CONNECTS TO 115J J1-1 (TOP), WIRE 188 CONNECTS TO 115J J1-2 (TOP), WIRE 101 CONNECTS TO 115J J2-4 AND WIRE 102 CONNECTS TO 115J J2-3.
 - INDICATED CUSTOMER SUPPLIED DEVICES AND WIRING ARE USED ONLY WHEN SIMULTANEOUS HEATING-COOLING OPTION IS PRESENT. USE OF 6K10 HOT WATER PUMP MOTOR SWITCH AND 6K10 HOT WATER FLOW SWITCH DEVICES ARE RECOMMENDED WITH THIS OPTION.



WARNING

AVERTISSEMENT

CAUTION