

IMPORTANT!
DO NOT
REMOVE
UNIT UNTIL CHECK-OUT
AND START-UP PROCEDURE
HAS BEEN COMPLETED

DEVICE PREFIX LOCATION CODE	
AREA	LOCATION
1	INSIDE UNIT CONTROL BOX
2	COMPENSER SECTION
3	AIR HANDLER SECTION
4	HEATING SECTION
5	EXTERNAL FIELD MOUNTED DEVICE

WARNING
HAZARDOUS VOLTAGE!
DISCONNECT ALL ELECTRIC POWER
INCLUDING REMOTE DISCONNECTS
BEFORE SERVICING.
SERVICING WITH ELECTRIC POWER
PRESENT CAN CAUSE SEVERE
PERSONAL INJURY OR DEATH.

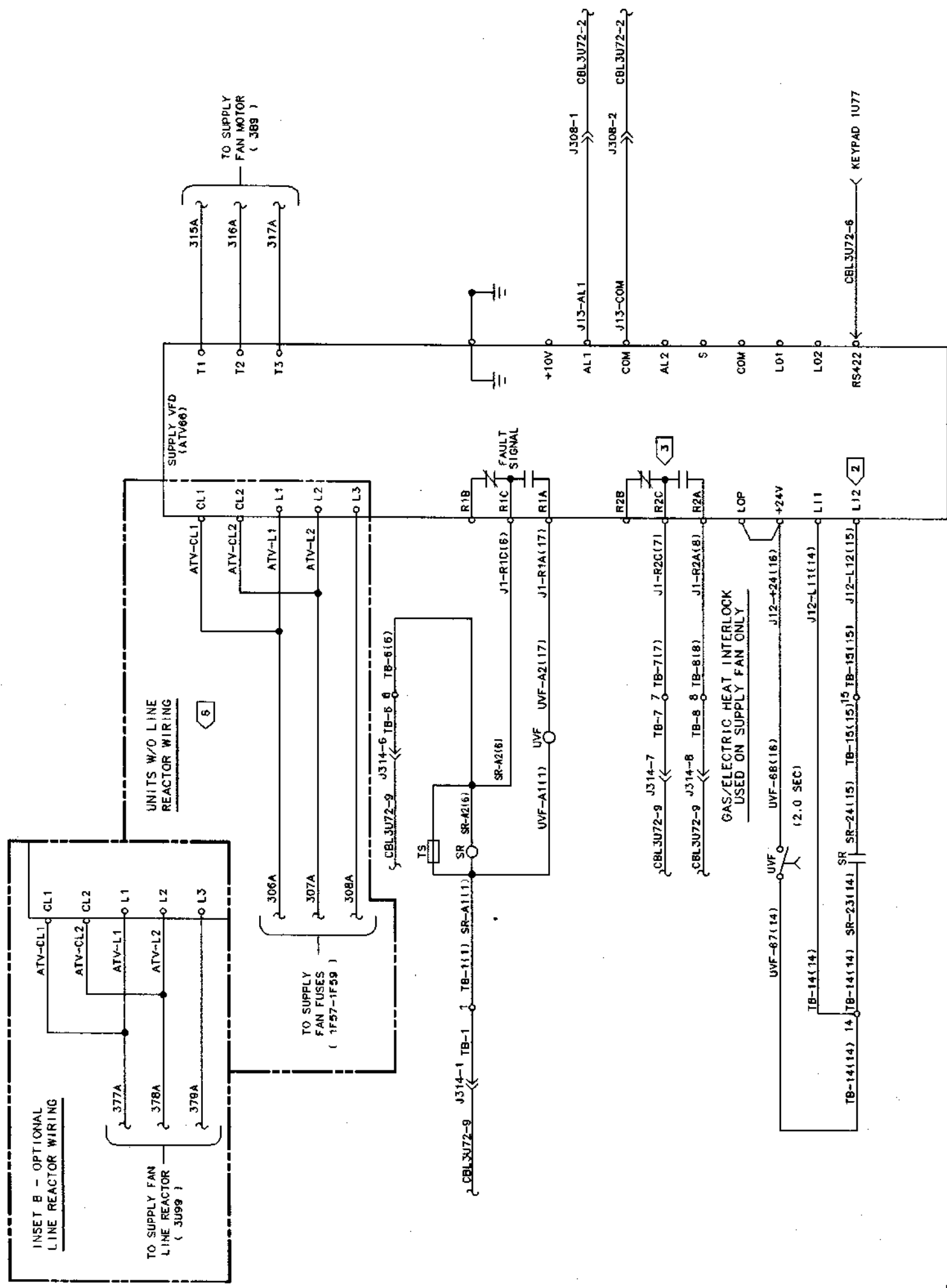
AVERTISSEMENT
VOLTAGE HASARDEUX!
DECONNECTEZ TOUTES LES SOURCES
ELECTRIQUES INCLUANT LES
DISJONCTEURS SITUES A DISTANCE
AVANT D'EFFECTUER L'ENTRETIEN.
L'ENTRETIEN EN PRESENCE D'UNE
SOURCE DE TENSION ELECTRIQUE
PEUT ENTRAÎNER DES
BLESSURES CORPORELLES SEVERES
OU LA MORT.

CAUTION
USE COPPER CONDUCTORS ONLY!
UNIT TERMINALS ARE NOT DESIGNED
TO ACCEPT OTHER TYPES OF
CONDUCTORS.
FAILURE TO DO SO MAY CAUSE
DAMAGE TO THE EQUIPMENT.

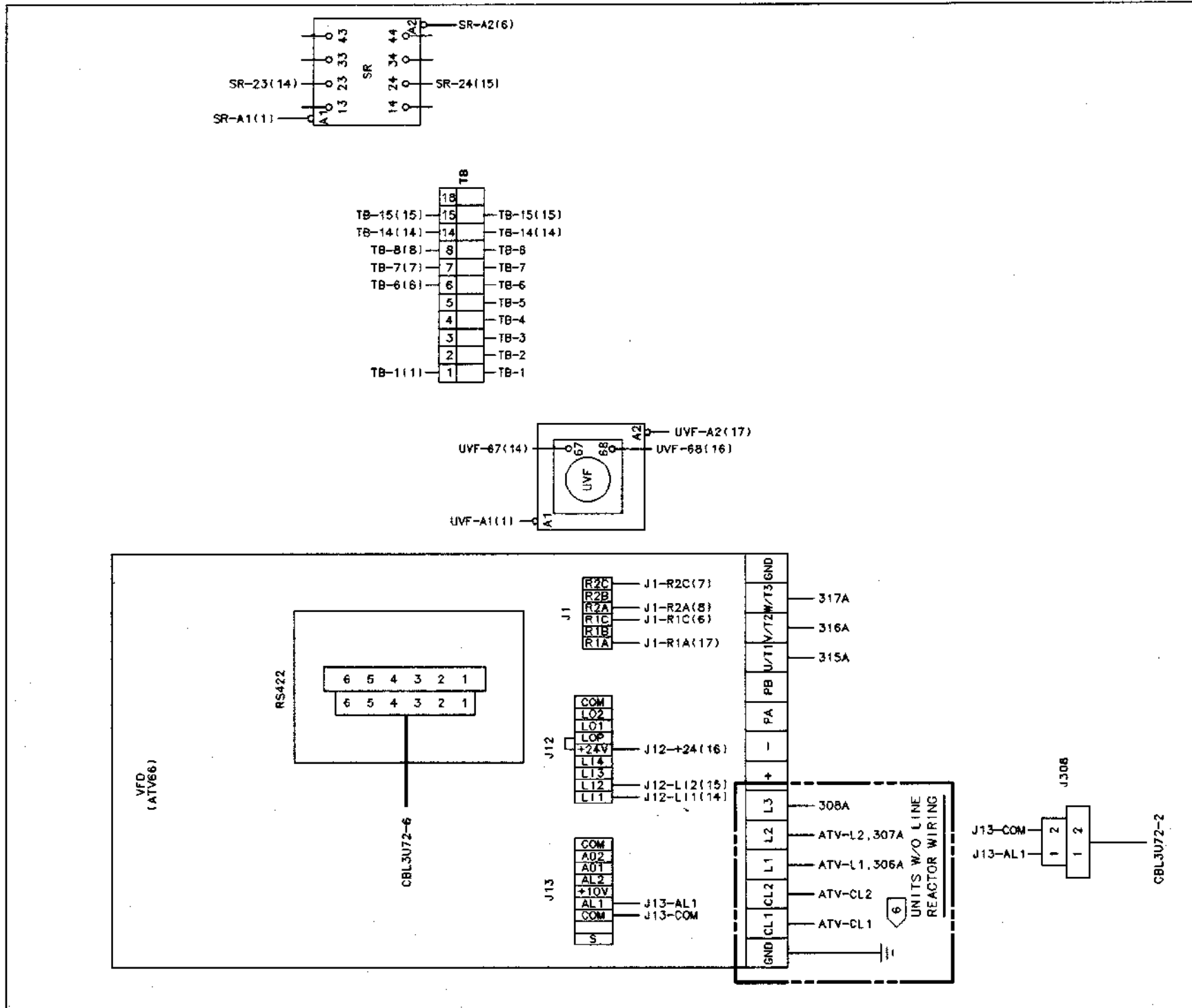
NOTES

- 2 PROGRAM CONTROL FOR 2 WIRE CONTROL.
- 3 PROGRAM RZ AS RUNNING STATE.

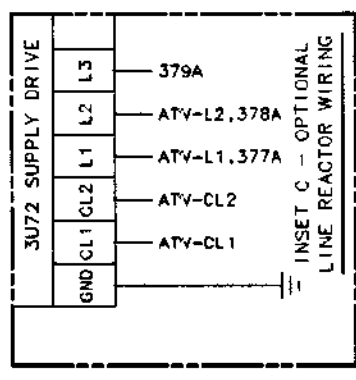
- 6 VFD W/O LINE REACTOR WIRING SHOWN, SEE INSETS
B & C FOR VFD W/ LINE REACTOR WIRING.



3U72 SUPPLY VFD ASSEMBLY



ABBREVIATIONS	
PB	POWER BLOCK
SR	START RELAY
TB	TERMINAL BLOCK
TS	TRANSIENT SUPPRESSOR
UVF	TIME-DELAY RELAY
VFD	VARIABLE FREQUENCY DRIVE



10 X 15 METAL PROOF	REPLACES: 2307-4326	FILE NUMBER: 2307-4321	REV
REVISION DATE:	THE TRANE COMPANY A DIVISION OF AMERICAN STANDARD INC.	DRAWING NUMBER: 2307-4321	
DRAWN BY: B. SMALLING	DATE: 11/5/97	ROOFTOP PACKAGED AIR CONDITIONER SCHEMATIC & CONNECTION WIRING DIAGRAM SUPPLY FAN VARIABLE FREQUENCY DRIVE WITHOUT BYPASS SWITCH WIRING 20 - 75 TON, 5 HP, 208/230 VOLT (3U72)	
DATE:	STARTER TO: 2307-3843		

