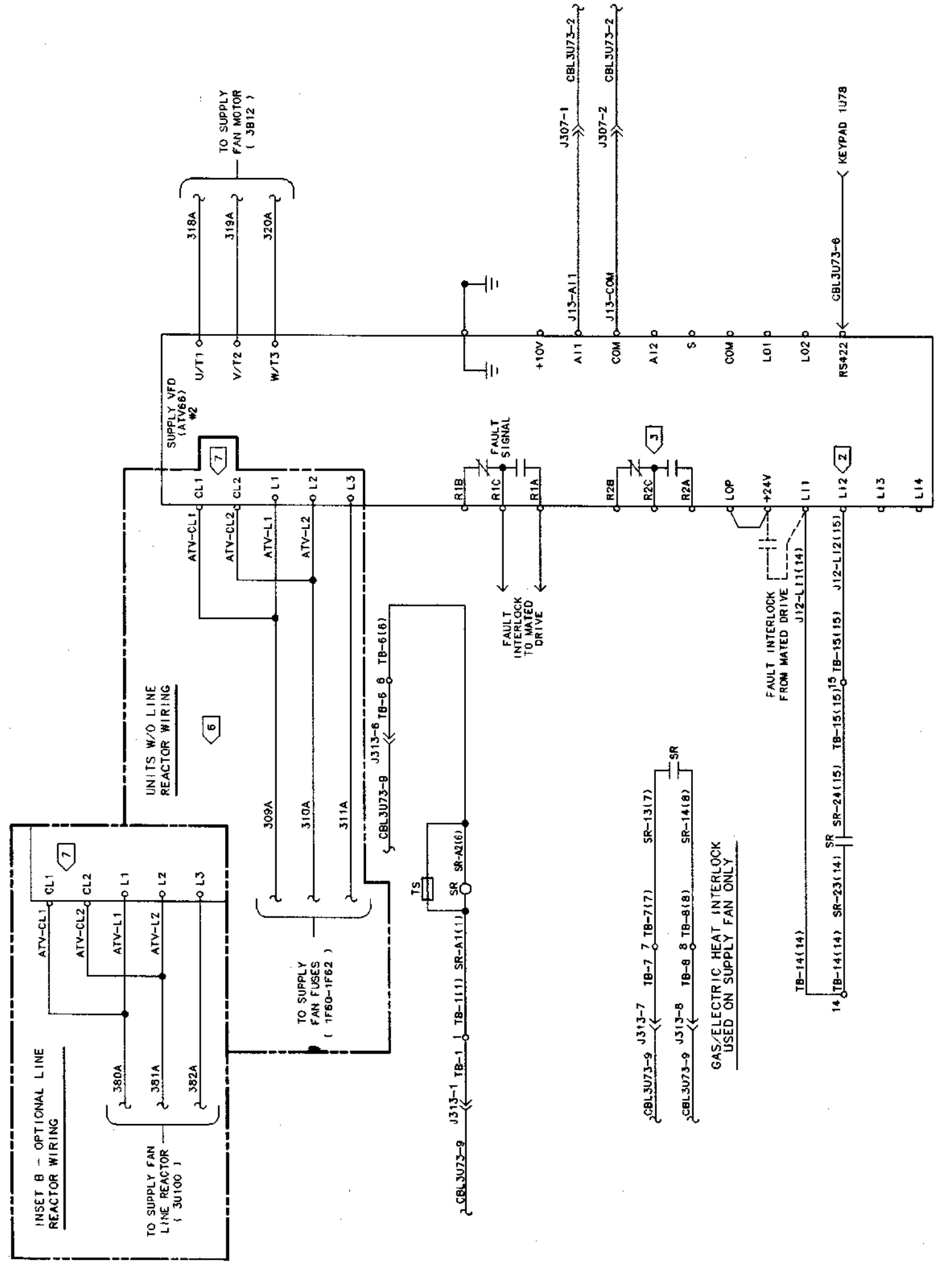


IMPORTANT!  
DO NOT ENERGIZE  
UNIT UNTIL REACTOR  
AND START-UP PROCEDURE  
HAS BEEN COMPLETED

10 X 15 METAL PROOF	REPLACES: 2307-4326	FILE NUMBER:	DRAWING NUMBER: 2307-4318	REV: A
REVISOR DATE:	THE TRANE COMPANY A DIVISION OF AMERICAN STANDARD INC.	ROOFTOP PACKAGED AIR CONDITIONER		
DRAWN BY: B. SMALLING	SCHEMATIC & CONNECTION WIRING DIAGRAM SUPPLY FAN VARIABLE FREQUENCY DRIVE WITHOUT BYPASS CONTROL 90 - 130 TON 5-HG (3U73 #2 DRIVE)			
DATE: 11/5/97	SIMILAR TO: 2307 3840			

**NOTES**

- 2) PROGRAM L12 AS RUN FORWARD & TWO WIRE CONTROL.
- 3) PROGRAM R2 AS RUNNING STATE.
- 6) VFD W/O LINE REACTOR WIRING SHOWN, SEE INSERTS B & C FOR VFD W/ LINE REACTOR WIRING
- 7) CL1 & CL2 USED ON ATV#8 ONLY.



**3U73 SUPPLY VFD ASSEMBLY #2**

ABBREVIATIONS

AREA	LOCATION
1	INSIDE UNIT CONTROL BOX
2	CONDENSER SECTION
3	AIR HANDLER SECTION
4	HEATING SECTION
5	EXTERNAL FIELD MOUNTED DEVICE

DEVICE PREFIX LOCATION CODE

AREA	LOCATION
1	INSIDE UNIT CONTROL BOX
2	CONDENSER SECTION
3	AIR HANDLER SECTION
4	HEATING SECTION
5	EXTERNAL FIELD MOUNTED DEVICE

**WARNING**  
HAZARDOUS VOLTAGE!  
DISCONNECT ALL ELECTRICAL POWER  
BEFORE SERVICING.  
FAILURE TO DISCONNECT POWER  
BEFORE SERVICING CAN CAUSE SEVERE  
PERSONAL INJURY OR DEATH.

**AVERTISSEMENT**  
VOLTAGE HASARDEUX!  
DECONNECTEZ TOUTES LES SOURCES  
ELECTRIQUES INCLUANT LES  
AVANT D'EFFECUER L'ENTRETIEN.  
FAUTE DE DECONNECTER LA SOURCE  
ELECTRIQUE AVANT D'EFFECUER  
L'ENTRETIEN PEUT CAUSER DES  
BLESSES CORPORELLES SEVERES  
OU LA MORT.

**CAUTION**  
USE COPPER CONDUCTORS ONLY!  
DO NOT ACCEPT OTHER TYPES OF  
CONDUCTORS.  
FAILURE TO DO SO MAY CAUSE  
DAMAGE TO THE EQUIPMENT.

