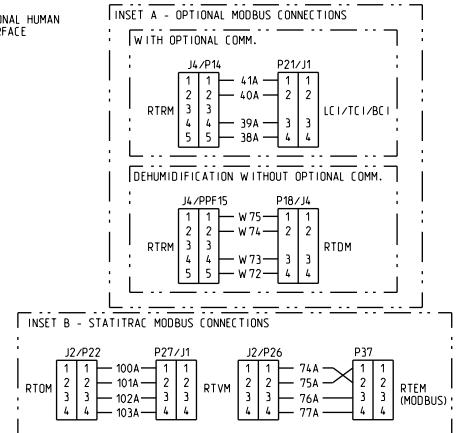
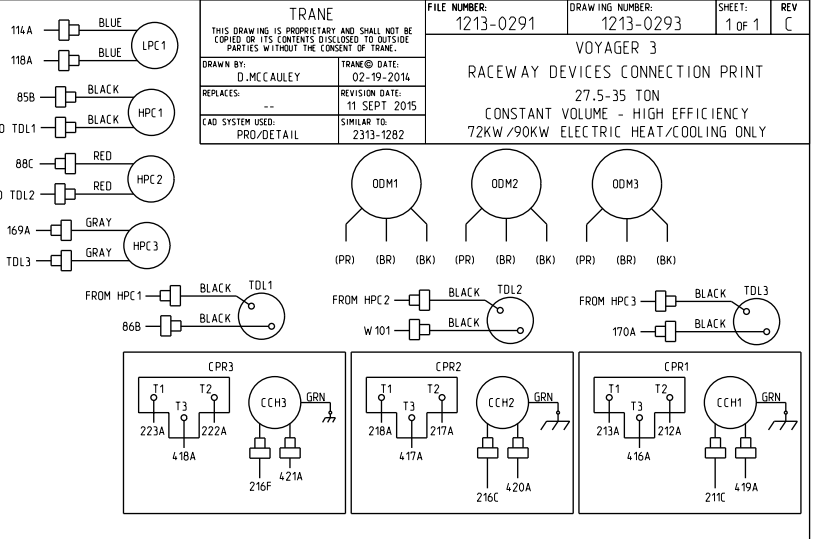
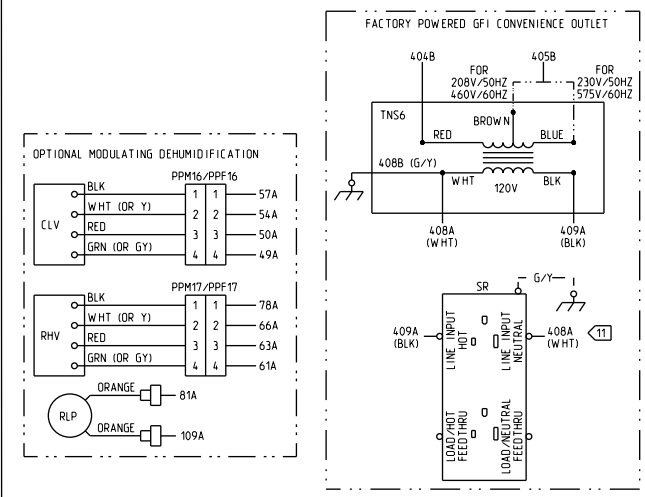


- NOTES:
- OPTIONAL DISCHARGE AIR TEMPERATURE SENSOR REQUIRED FOR SUPPLY AIR TEMPERING AND DEHUMIDIFICATION.
 - OPTIONAL CLOGGED FILTER SWITCH.
 - REQUIRED FOR OPTIONAL VENTILATION OVERRIDE.
 - REQUIRED FOR OPTIONAL REFERENCE ENTHALPY CONTROL.
 - REQUIRED FOR OPTIONAL COMPARATIVE ENTHALPY CONTROL.
 - WIRING SHOWN IS FOR UNITS WITHOUT OPTIONAL COMMUNICATIONS BOARD (LCI/TCI/BCI) OR DEHUMIDIFICATION. FOR OPTIONAL CONNECTIONS, SEE INSET A.
 - WIRING SHOWN IS FOR UNITS WITH OPTIONAL ECONOMIZER WITHOUT STATITRAC OPTION. FOR OPTIONAL CONNECTIONS, SEE INSET B.
 - REQUIRED FOR OPTIONAL 50% POWERED EXHAUST.
 - XFM2 REQUIRED FOR OPTIONAL 100% POWERED EXHAUST.
 - 182A & 183A ARE REQUIRED FOR FRESH AIR TRACKING. FOR UNITS WITH OPTIONAL STATITRAC AND TRACS USE 182B & 183B.
 - CUSTOMER TO PROVIDE WIRES 408A (WHT), 409A (BLK) AND GROUND WIRE (G/Y) WHEN FIELD POWERED.
 - WIRE 36BS IS NOT USED FOR 35 TON UNITS.
 - WIRE 174A REQUIRED FOR TC (COOLING/NO HEAT) UNITS ONLY.
 - WIRES 64D, 65E, & 67B ARE USED ON TE (ELECTRIC HEAT) UNITS ONLY. WIRE 35A IS USED ON TC (COOLING) ONLY.

- 182F & 183F ARE REQUIRED FOR FRESH AIR TRACKING. FOR UNITS WITH OPTIONAL STATITRAC AND TRAQ USE 182G & 183G.
- REQUIRED FOR ULTRA LOW LEAK DAMPER.
- WIRES 182C & 183C ARE REQUIRED FOR ULTRA LOW LEAK DAMPER
- OPTIONAL HUMAN INTERFACE



CONDENSER SECTION WIRING



TRANE		FILE NUMBER: 1213-0291	DRAWING NUMBER: 1213-0293	SHEET: 1 OF 1	REV C
THIS DRAWING IS PROPRIETARY AND SHALL NOT BE COPIED OR ITS CONTENTS DISCLOSED TO OUTSIDE PARTIES WITHOUT THE CONSENT OF TRANE.					
DRAWN BY: D. MCCAULEY		TRANE DATE: 02-19-2014		VOYAGER 3	
REPLACES: ---		REVISION DATE: 11 SEPT 2015		RACEWAY DEVICES CONNECTION PRINT	
CAD SYSTEM USED: PRO/DETAIL		SIMILAR TO: 2313-1282		CONSTANT VOLUME - HIGH EFFICIENCY 72KW/90KW ELECTRIC HEAT/COOLING ONLY	

- SENSOR EET AND WIRES 110A & 111A USED WITH OPTIONAL DEHUMIDIFICATION AND IS ATTACHED TO CIRCUIT 1 FOR 27.5-35 TON UNITS, AND TO CIRCUIT 2 FOR 40-50 TON UNITS.
- WIRE 117A IS REQUIRED TO ENABLE DEHUMIDIFICATION. WIRES 141A AND 142A ARE USED WITH DEHUMIDIFICATION AND CUSTOMER INSTALLED SPACE HUMIDITY SENSOR (SHS). WIRES 112A AND 113A ARE USED WITH DEHUMIDIFICATION AND CUSTOMER INSTALLED HUMIDISTAT (HST).
- WIRE 62B IS USED ON CV UNITS AND 62A IS USED ON VAV/SZVAV UNITS.
- DISCONNECT WIRES 36BW AND 36BV ON HORIZONTAL UNITS.

