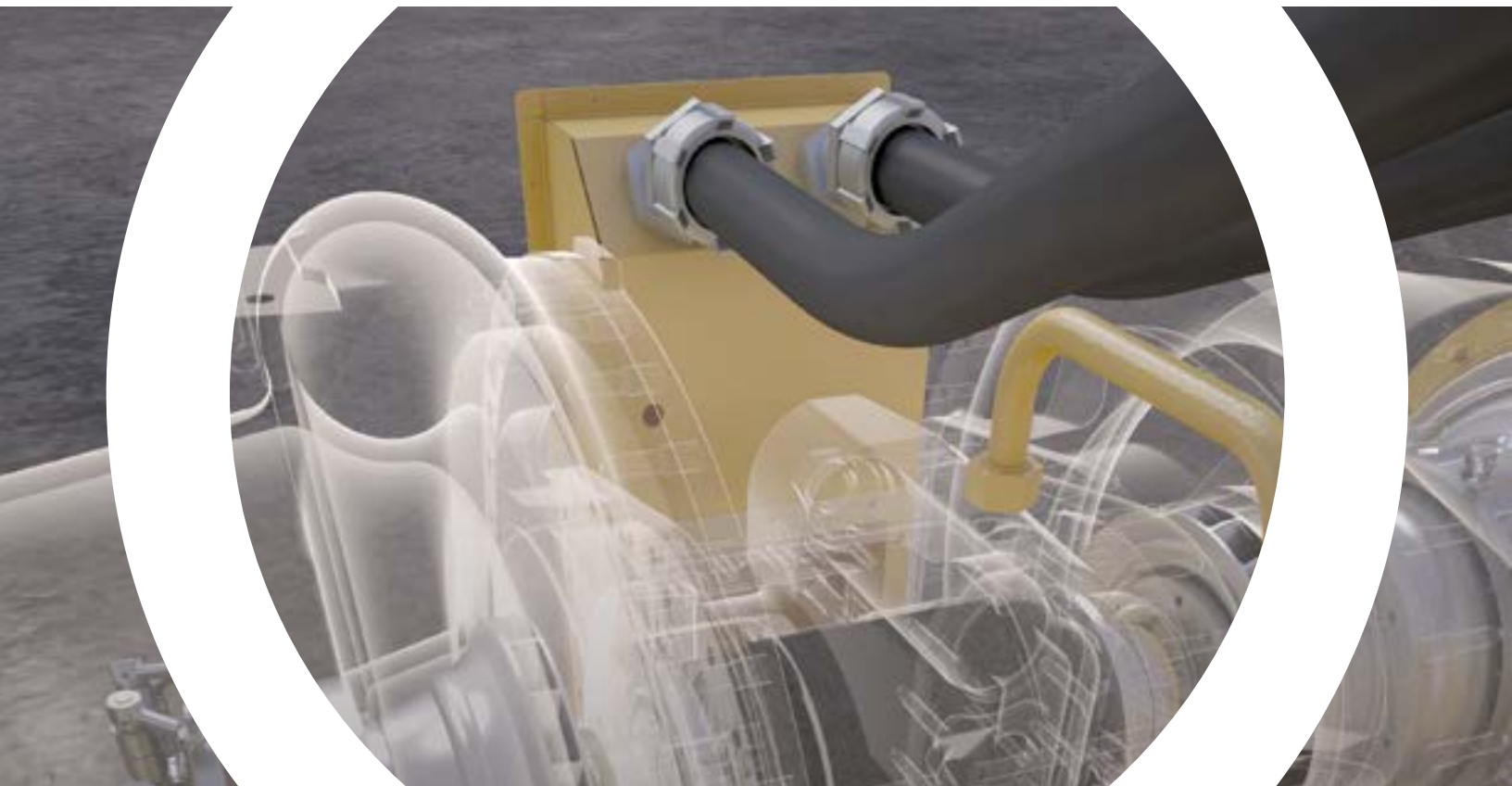




Tracer™ Custom Graphics

Visualize Your Building
Automation System



Floor Plans

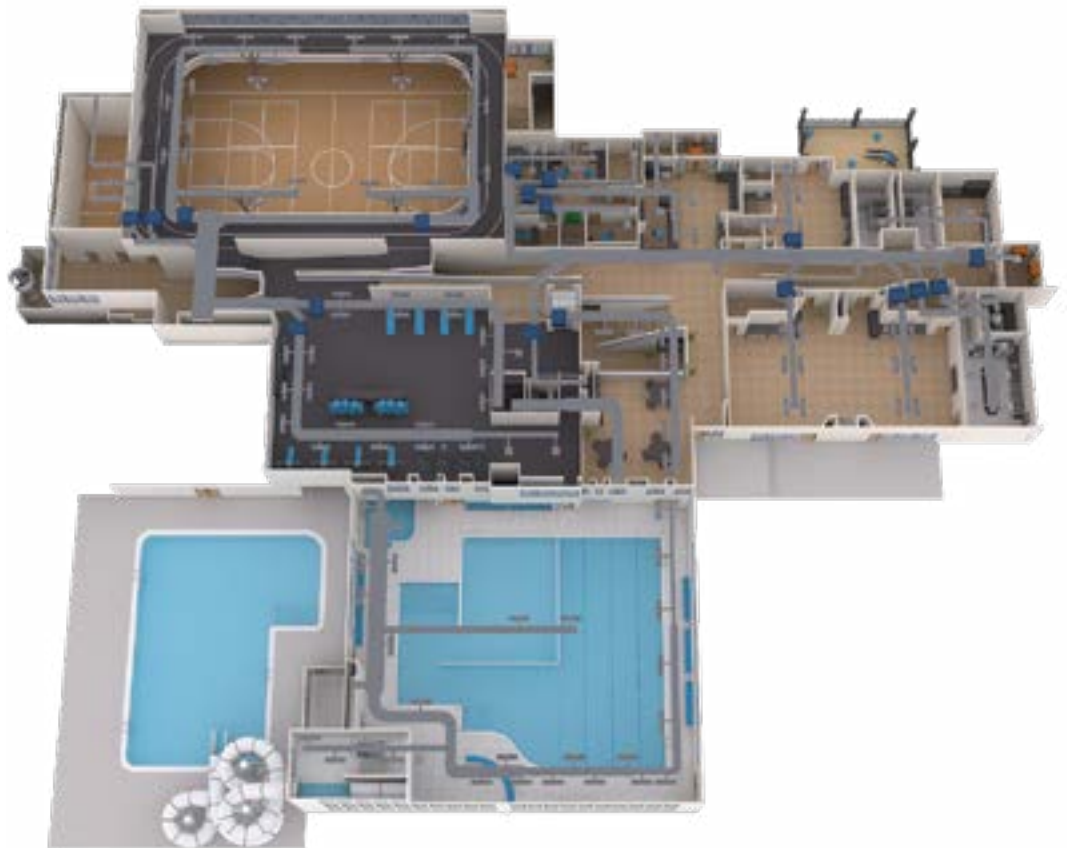
Floor plan graphics give the user an overview of the building spaces with an accurate representation of the architectural and HVAC layout of the building.

With the ability to see how the HVAC runs through the building, the user can quickly understand if any spaces need attention and resolve issues promptly.

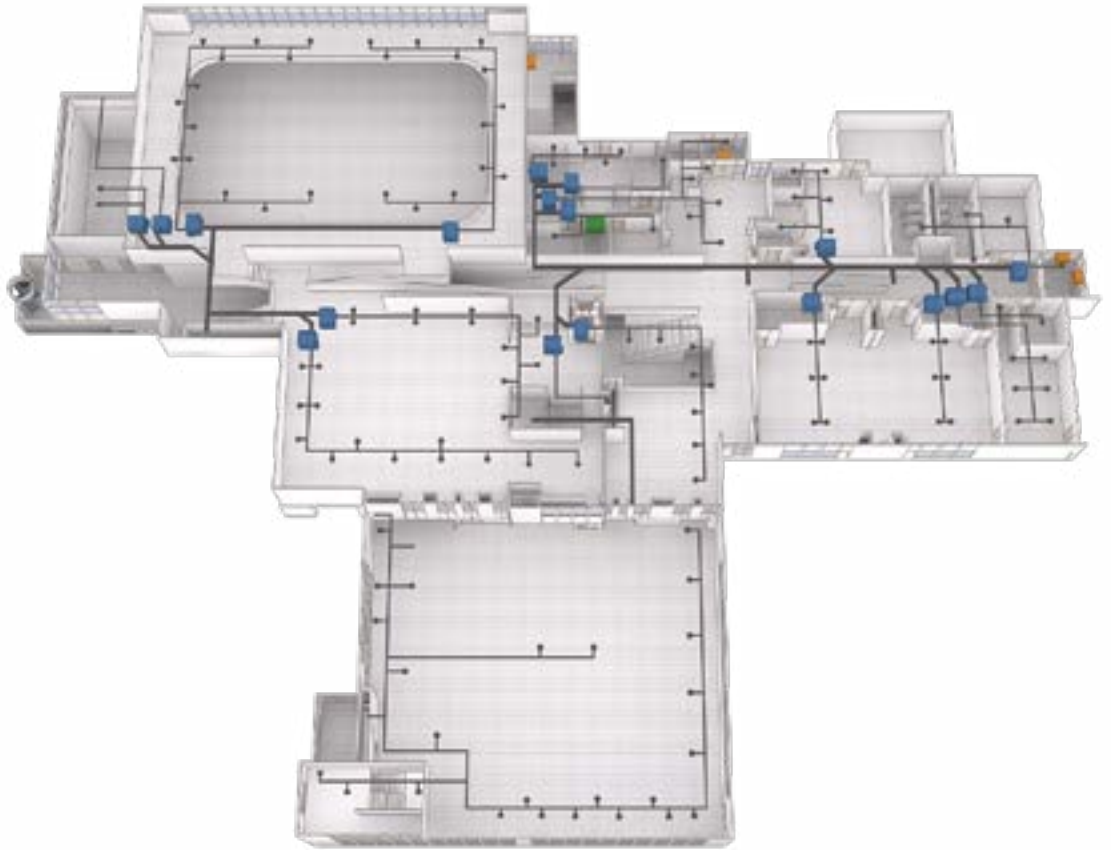
Three style options exist: basic 2D, standardized 3D, or custom high detail 3D. These options make it easy to tailor the look and feel of the building graphics to best suit the customer's unique needs.



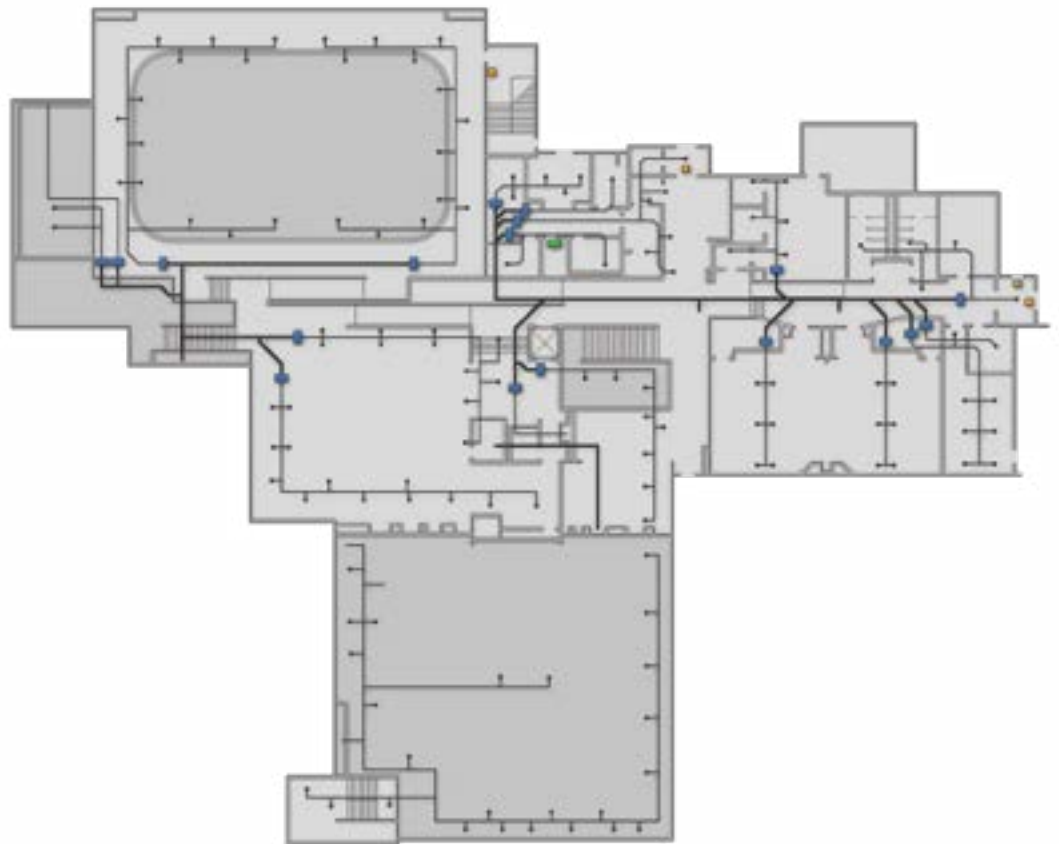
ES UI Example



3D Floor Plan, High Detail



3D Floor Plan, Standard



2D Floor Plan

Hydronics

Hydronic system graphics showcase the water-side equipment and components, giving the user visibility and control over either a section or the entirety of the system.

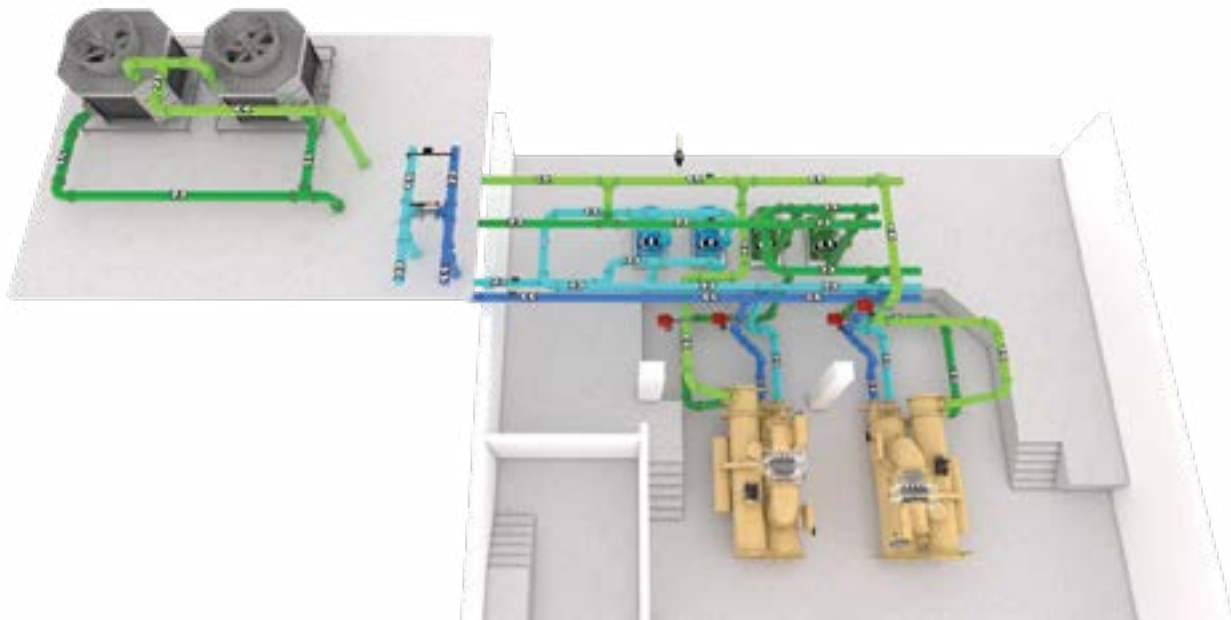
Flow-style graphics are an easy to read, schematic view of the system, making it quicker to understand the status of each device.

Actual-style graphics are a highly realistic representation of the plant as is built in the actual space.

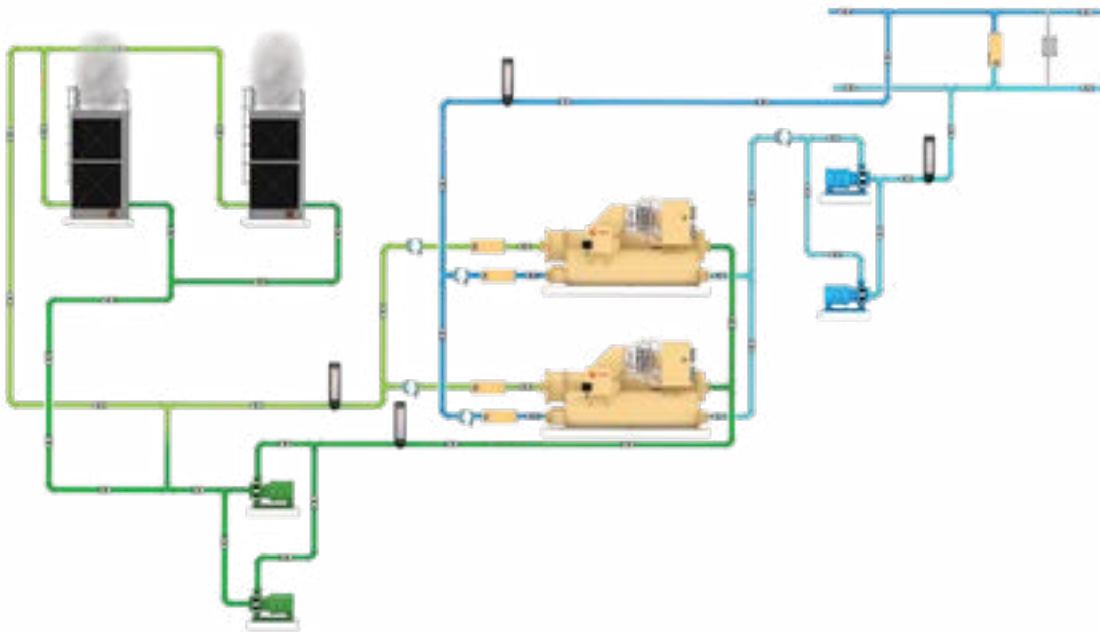
Basic analog or binary animations provide an additional visual indication of each unit's status.



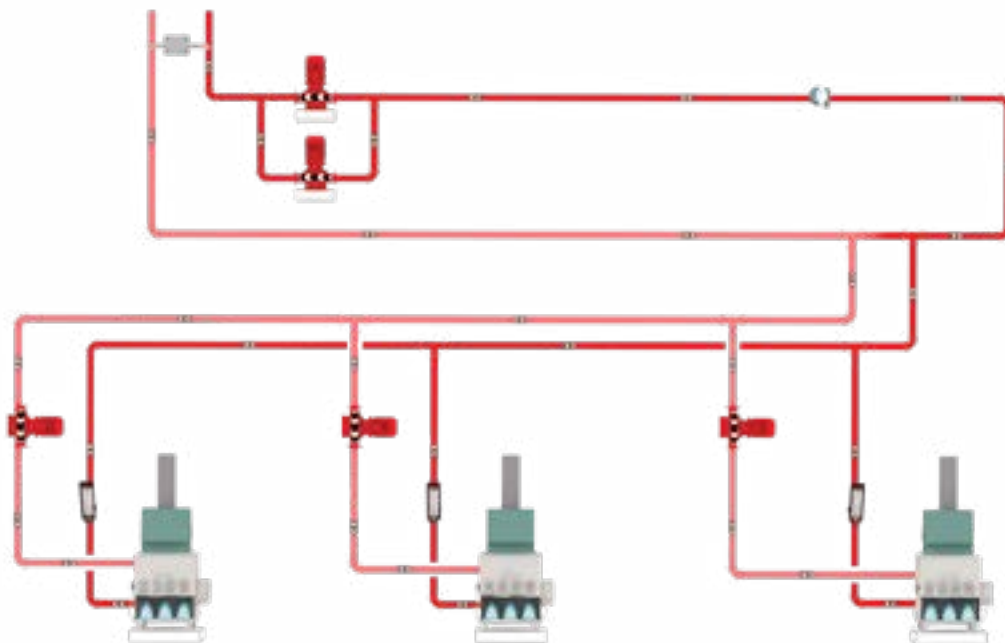
ES UI Example



Hydronics Actual



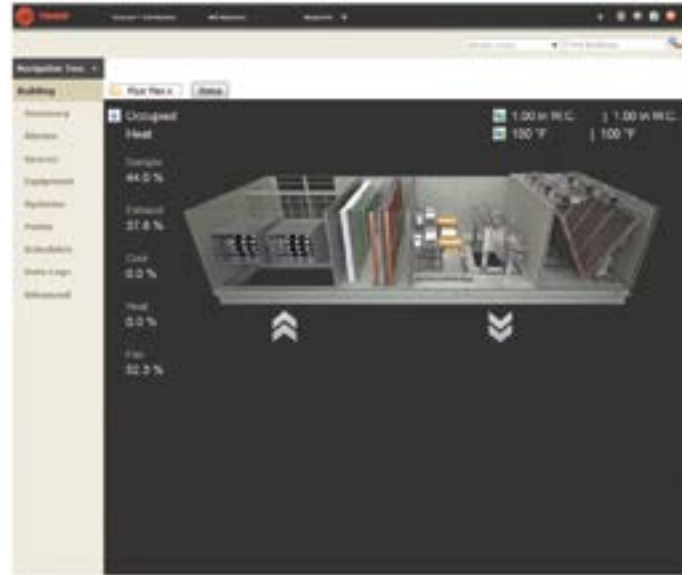
Hydronics Flow (Chilled Water)



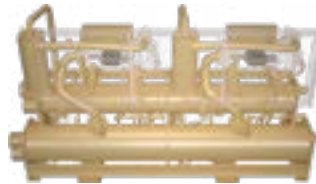
Hydronics Flow (Hot Water)

Standard Equipment

Over one hundred fifty standard graphics for Trane's most common equipment and configurations are pre-installed in ES and SC. These ultra-high quality images are right at the technician's fingertips, ready to install with just a few clicks. These graphics are pre-populated with essential point data, making installation even easier and quicker.



ES UI Example





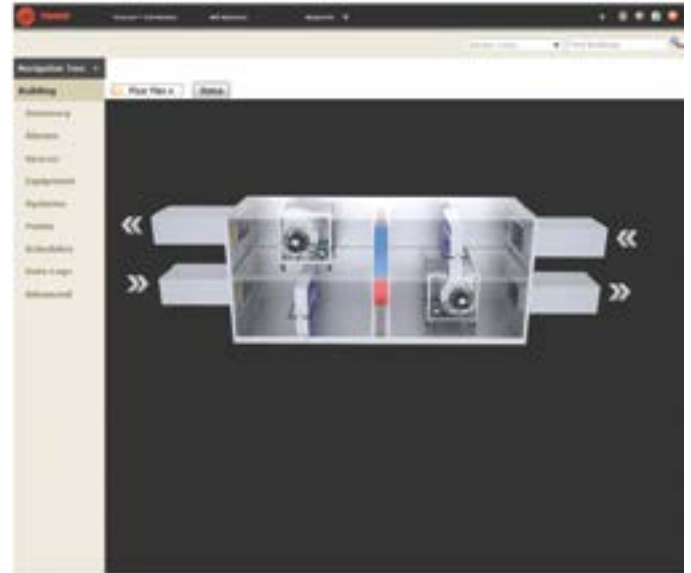
Custom Equipment

3D equipment graphics give the user insight into the units that are part of their building's HVAC system.

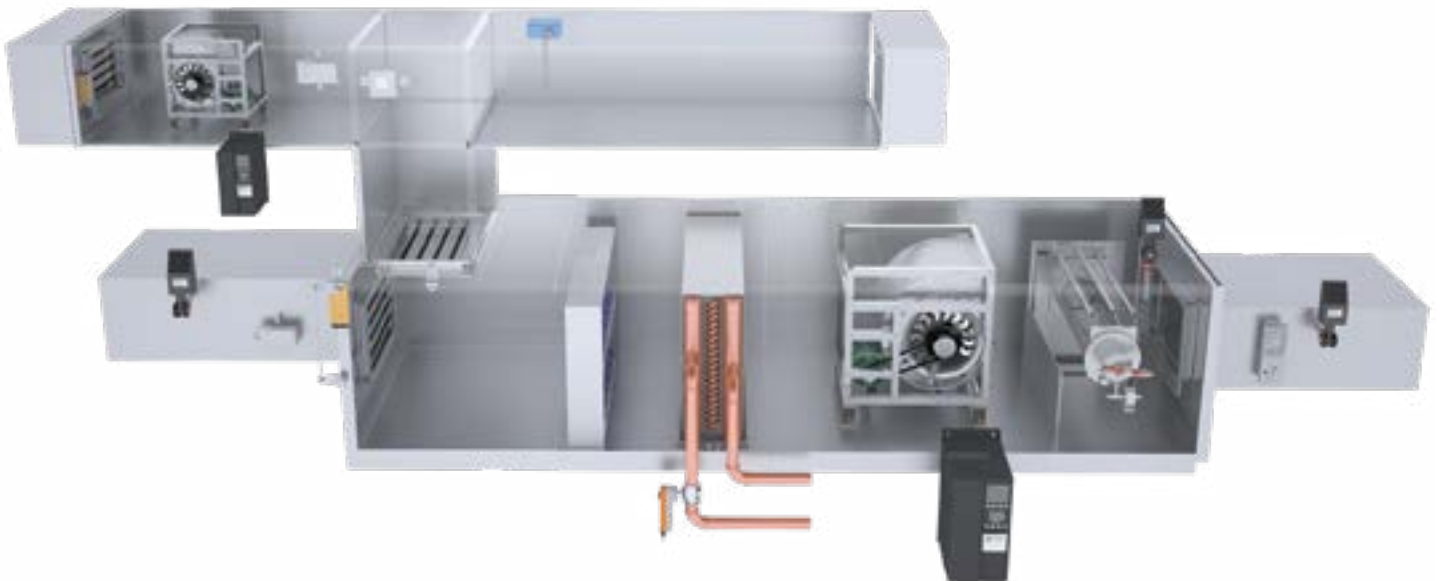
It is easy to understand the status of a unit with flow-style graphics, which simply represent the configuration of an air unit.

For a higher detail representation, the actual-style renders a just-out-of-the-factory quality of detail and realism.

Basic analog or binary animations provide an additional visual indication of the unit's status.



ES UI Example



Flow Equipment



Actual Equipment



Custom Equipment



Exterior High Detail Render

Exterior/Site Graphics

Building exterior and site graphics can be great backgrounds for landing and navigation pages. An image of the building or buildings is a recognizable, intuitive indicator of where the user is in the system.

These graphics can be stylized, or very high detail and realistic, based on the needs and interests of the customer.



ES UI Example



Site Map Stylized Render

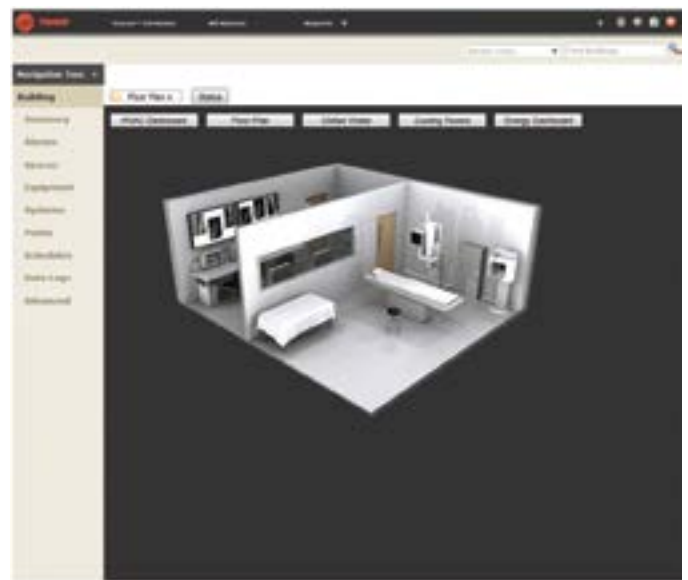


Site Map High Detail Render

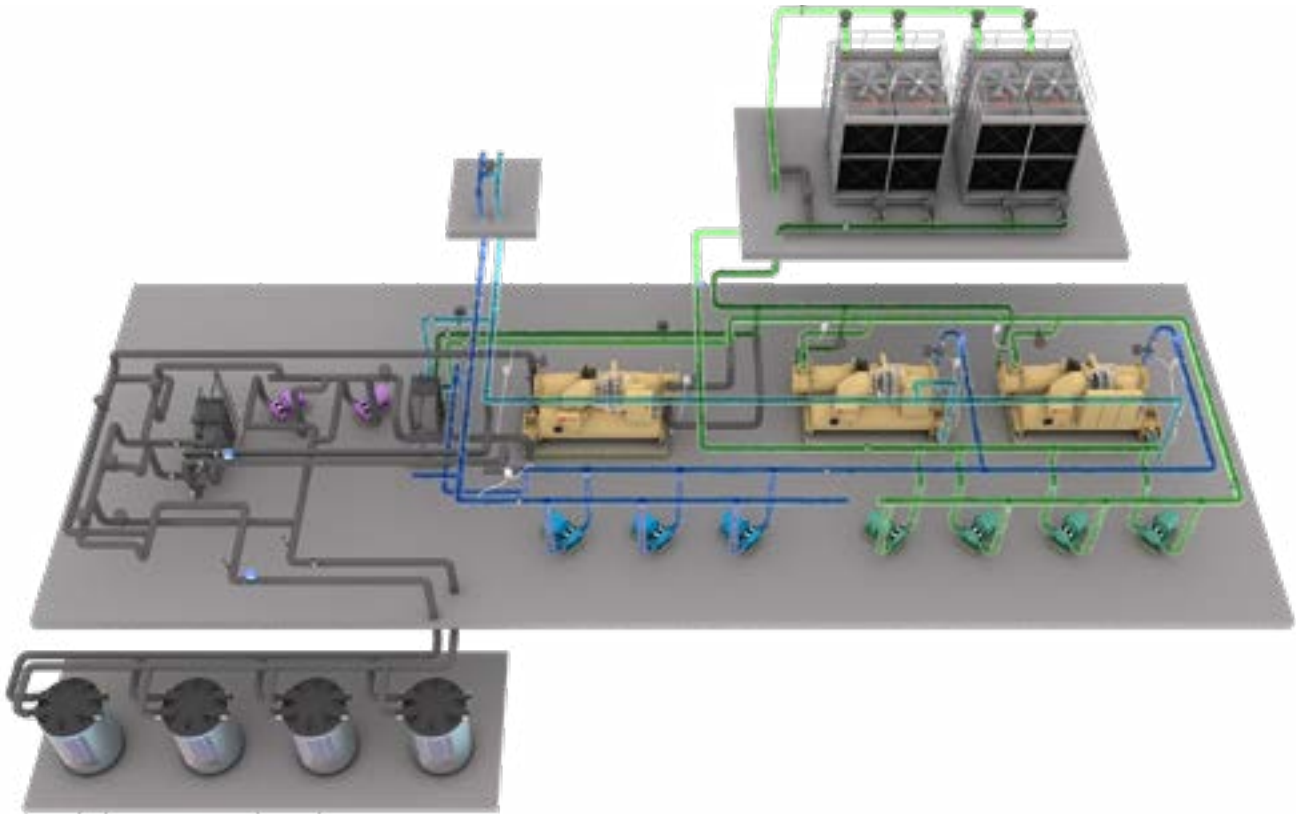


Custom Graphics

There are many different ways to visualize the spaces and systems of the building. By leveraging the advanced capabilities of 3D modeling and animation, it's possible to customize graphics based on unique customer and site needs.



ES UI Example



Hydronics with Animated "Flowing" Pipes



Building Cut-Away

Dashboards

Dashboard graphics are an excellent way to display a large amount of related data on one screen while still keeping it easy to read. The data provided by the system can be visualized using the built-in widgets in Tracer™ Graphics Editor, or with custom stylized widgets.



ES UI Example



Dashboard, TGE Widgets



Dashboard, Custom

Tracer™ custom graphics are created by Trane's in-house digital production studio. This team of digital design experts is dedicated to providing high end visuals that create an engaging and intuitive user experience for Tracer™ ES and SC. Customers can rely on Trane to deliver a consistent graphics package from job to job and phase to phase, thanks to the industry experience and workflow efficiencies gained over the studio's 10+ years of existence. The team is driven to think outside the box and can collaborate directly with customers to produce unique graphics packages. Contact your local Trane representative today.

Learn more at trane.com



Trane – by Trane Technologies (NYSE: TT), a global climate innovator – creates comfortable, energy efficient indoor environments through a broad portfolio of heating, ventilating and air conditioning systems and controls, services, parts and supply. For more information, please visit trane.com or tranetechnologies.com.

All trademarks referenced in this document are the trademarks of their respective owners.

© 2020 Trane. All Rights Reserved.

BAS-SLB071-EN
06/16/2020