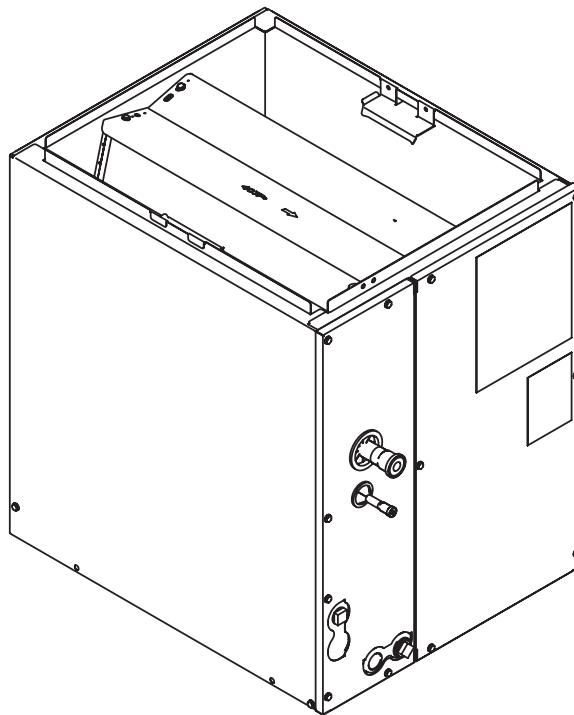




Aluminum Cased Heat Pump / Cooling Coils 1.5 - 5 Ton

4TXC-RS COILS

Replacement/Service coils for R-410A



COR-PRD001A-EN



Aluminum Heat Pump Coil Nomenclature

1 2 3 4 5 6 7 8 9 10 11 12 13 14 15
4 T X C B 0 0 4 R S 3 H C A A

Refrigerant Type _____

4 = R-410A
 5 = R-454B

Series _____

T = Premium Multi-Poise (Cooling and HP)
 P = Core Dedicated Position (Cooling and HP)
 M = Value Multi-Poise (Cooling and HP)
 A = Entry level (Cooling and HP)

Coil Design _____

X = Direct Expansion Evaporator Coil

Coil Feature _____

C = Cased A Coil
 A = Uncased A Coil
 F = Cased Horizontal Flat Coil

Cabinet Width _____

A = 14.5"
 B = 17.5"
 C = 21.0"
 D = 24.5"
 H = 10.5"

Airflow Direction _____

0 = Multi-directional (horizontal allowed)
 U = Upflow/Downflow, convertible to Horizontal Left or Horizontal Right
 D = Downflow, convertible to Horizontal Right

**Nominal Capacity in 1000's (BTUH), or
 Model Number Distinguisher** _____

Major Design Change _____

Efficiency _____

C = Standard
 S = High Efficiency
 Z = High Efficiency (TXV modulates to 50%)

Refrigerant Control _____

3 = TXV
 6 = FCCV (Flow Control/Check Valve)

Coil Circuitry _____

H = Heat Pump
 C = Cooling

Airflow Configuration _____

A = Upflow Only
 U = Upflow / Downflow
 D = Downflow / Horizontal Right
 R = Downflow Left/Right
 H = Horizontal Left/Right
 C = Convertible - Upflow, Downflow, Left, or Right

Minor Design Change _____

Service Digit - Not Orderable _____

A,B, C, etc. = Assembled in Trenton, NJ
 V, W, X, etc. = Assembled in Vidalia, GA



General Data

PRODUCT SPECIFICATIONS^[1] 4TXC-RS --- HIGH EFFICIENCY STAGED SPLIT SYSTEM HEAT PUMP / COOLING COMFORT™ COILS -- CASED UPFLOW / DOWNFLOW/ HORIZONTAL

	4TXCA002RS3	4TXCB003RS3	4TXCA032RS3	4TXCB004RS3	4TXCC005RS3
INDOOR COIL -- Type	PLATE FIN	PLATE FIN	PLATE FIN	PLATE FIN	PLATE FIN
Cooling Capacity (Tons)	1.5 - 2.0	1.5 - 3.0	1.5 - 3.0	2.0 - 3.5	2.0 - 4.0
Rows / F.P.I.	2 / 20	3 / 14	2 / 20	3 / 12	3 / 12
Face Area (sq.ft.)	3.0	3.5	4.5	5.0	5.0
Tube Size	3/8	3/8	3/8	3/8	3/8
Refrigerant Control	Non-Bleed TXV	Non-Bleed TXV	Non-Bleed TXV	Non-Bleed TXV	Non-Bleed TXV
Internal check valve	Yes	Yes	Yes	Yes	Yes
Drain Conn. Size (in.)	3/4 NPT	3/4 NPT	3/4 NPT	3/4 NPT	3/4 NPT
Duct Connections	See Outline Drawing	See Outline Drawing	See Outline Drawing	See Outline Drawing	See Outline Drawing
REFRIGERANT CONNECTIONS	R-410A BRAZED	R-410A BRAZED	R-410A BRAZED	R-410A BRAZED	R-410A BRAZED
Line Size -- Gas (in.)	3/4	3/4	3/4	7/8	7/8
Line Size -- Liquid (in.)	3/8	3/8	3/8	3/8	3/8
DIMENSIONS (in.)	H X W X D	H X W X D	H X W X D	H X W X D	H X W X D
Crated (H x W x D)	21-9/16 x 18-1/2 x 27-1/2	21-9/16 x 21-1/2 x 27-1/2	26-9/16 x 18-1/2 x 27-1/2	26-9/16 x 21-1/2 x 27-1/2	26-9/16 x 25 x 27-1/2
Uncrated	17-1/2 x 14-1/2 x 21-1/2	17-1/2 x 17-1/2 x 21-1/2	22-1/2 x 14-1/2 x 21-1/2	22-1/2 x 17-1/2 x 21-1/2	22-1/2 x 21 x 21-1/2
WEIGHT (lbs)					
Shipping -- Net	42 / 34	50 / 42	49 / 41	58 / 50	60 / 52
	4TXCB006RS3	4TXCC007RS3	4TXCD008RS3	4TXCC009RS3	4TXCD010RS3
INDOOR COIL -- Type	PLATE FIN	PLATE FIN	PLATE FIN	PLATE FIN	PLATE FIN
Cooling Capacity (Tons)	2.0 - 5.0	3.0 - 4.0	3.0 - 5.0	3.0 - 5.0	3.0 - 5.0
Rows / F.P.I.	3 / 14	3 / 14	3 / 14	3 / 16	3 / 16
Face Area (sq.ft.)	5.5	6.0	6.0	7.0	7.0
Tube Size	3/8	3/8	3/8	3/8	3/8
Refrigerant Control	Non-Bleed TXV	Non-Bleed TXV	Non-Bleed TXV	Non-Bleed TXV	Non-Bleed TXV
Internal check valve	Yes	Yes	Yes	Yes	Yes
Drain Conn. Size (in.)	3/4 NPT	3/4 NPT	3/4 NPT	3/4 NPT	3/4 NPT
Duct Connections	See Outline Drawing	See Outline Drawing	See Outline Drawing	See Outline Drawing	See Outline Drawing
REFRIGERANT CONNECTIONS	R-410A BRAZED	R-410A BRAZED	R-410A BRAZED	R-410A BRAZED	R-410A BRAZED
Line Size -- Gas (in.)	7/8	7/8	7/8	7/8	7/8
Line Size -- Liquid (in.)	3/8	3/8	3/8	3/8	3/8
DIMENSIONS (in.)	H X W X D	H X W X D	H X W X D	H X W X D	H X W X D
Crated (H x W x D)	30-13/16 x 21-1/2 x 27-1/2	30-13/16 x 25 x 27-1/2	30-5/8 x 28-1/2 x 27-1/2	34-3/4 x 25 x 27-1/2	34-3/4 x 28-1/2 x 27-1/2
Uncrated	26-3/4 x 17-1/2 x 21-1/2	26-3/4 x 21 x 21-1/2	26-3/4 x 24-1/2 x 21-1/2	30-3/4 x 21 x 21-1/2	30-3/4 x 24-1/2 x 21-1/2
WEIGHT (lbs)					
Shipping -- Net	63 / 55	69 / 61	72 / 64	78 / 70	81 / 73

[1] These R-410A indoor coils are for replacement only, and should only be used for repair and service of existing equipment. These coils are not to be used with new installations.



Performance Data

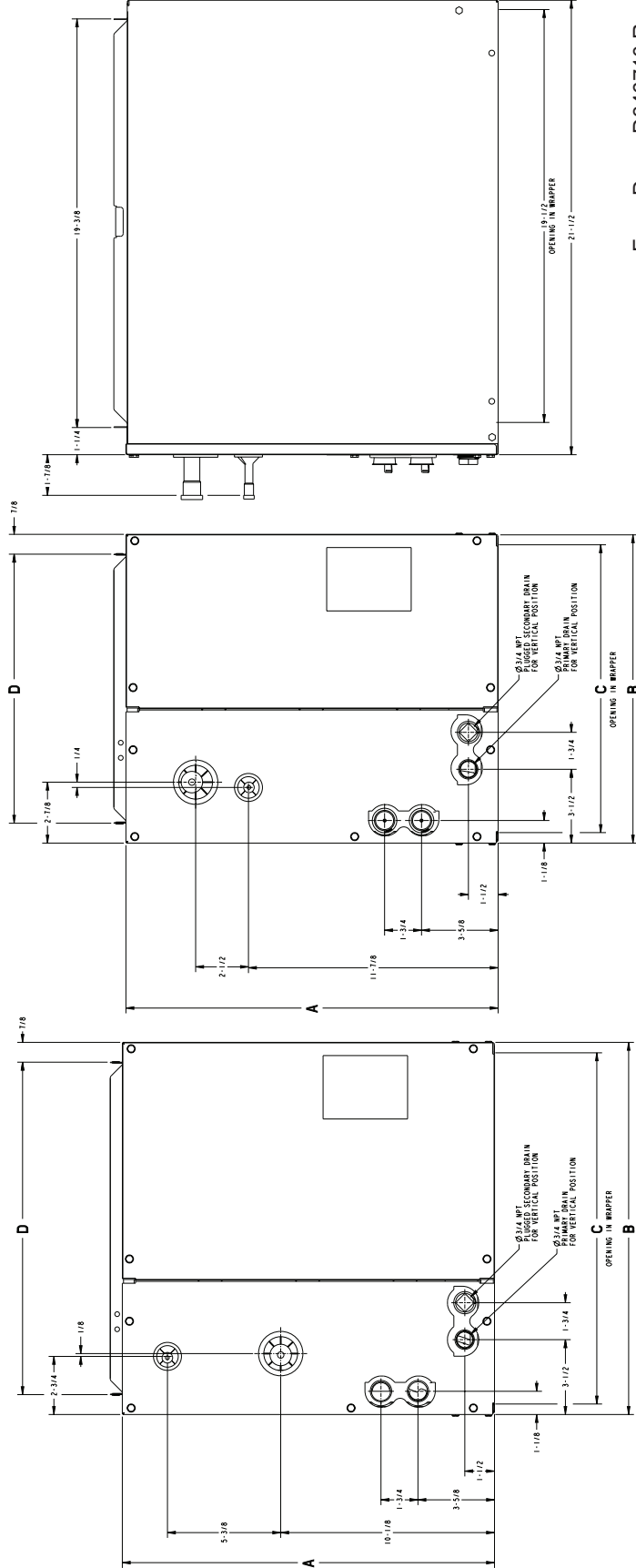
PRESSURE DROP CHARACTERISTICS FOR COOLING AND HEAT PUMP COILS AIRFLOW (CFM) VS. PRESSURE DROP ACROSS WET COIL								
PRESSURE DROP (INCHES OF WATER COLUMN)								
Model	0.05	0.1	0.15	0.2	0.25	0.3	0.35	0.4
4TXCA002RS3	225	340	430	510	585	650	715	775
4TXCA032RS3	375	570	725	860	985	1100	1200	1305
4TXCB003RS3	350	525	665	790	900	1000	1095	1180
4TXCB004RS3	440	655	825	970	1100	1220	1330	1435
4TXCB006RS3	430	640	815	965	1095	1220	1335	1445
4TXCC005RS3	520	770	970	1145	1300	1440	1570	1695
4TXCC007RS3	505	760	965	1140	1300	1445	1580	1710
4TXCC009RS3	490	740	940	1120	1280	1425	1565	1695
4TXCD008RS3	580	870	1100	1300	1485	1650	1805	1950
4TXCD010RS3	555	835	1065	1265	1445	1615	1770	1915

Accessories

The following TXV accessories may be used with these coils as needed. Refer to kit installation guide for further details.

- 4AYTXVH4A1830A Adjustable TXV Kit
- 4AYTXVH4A3042A Adjustable TXV Kit
- 4AYTXVH4A4860A Adjustable TXV Kit

Outline Drawing for models: 4TXCA002RS3, 4TXCB003RS3, 4TXCA032RS3, 4TXCB004RS3, 4TXCC005RS3, 4TXCB006RS3, 4TXCC007RS3, 4TXCD008RS3, 4TXCC009RS3, 4TXCC010RS3



From Dwg. D346710 Rev A

FIGURE A

FIGURE B

MODEL	4TXCA002RS3	4TXCA032RS3	4TXCB003RS3	4TXCB004RS3	4TXCC005RS3	4TXCB006RS3	4TXCC007RS3	4TXCD008RS3	4TXCC009RS3	4TXCD010RS3
SEE FIGURE	FIGURE A	FIGURE A	FIGURE B	FIGURE A	FIGURE A	FIGURE A	FIGURE A	FIGURE A	FIGURE A	FIGURE A
SHIPPING WEIGHT (LBS.)	44	49	50	58	60	63	69	72	78	81
REFRIGERANT CONTROL						TXV (NON-BLEED)				
HEIGHT "A" (IN.)	17-5/8	22-1/2	17-5/8	22-1/2	22-1/2	26-7/8	26-7/8	26-7/8	30-3/4	30-3/4
OVERALL WIDTH "B" (IN.)	14-1/2	14-1/2	17-1/2	17-1/2	21	17-1/2	21	24-1/2	21	24-1/2
OPENING WIDTH "C" (IN.)	13-5/8	13-5/8	16-5/8	16-5/8	20-1/8	16-5/8	20-1/8	23-5/8	20-1/8	23-5/8
TOP OPENING "D"	12-3/4	12-3/4	15-3/4	15-3/4	19-1/4	15-3/4	19-1/4	22-3/4	19-1/4	22-3/4
GAS CONNECTION	3/4									
LIQUID CONNECTION	3/8									
MATCHED FURNACE WIDTH (NO ADAPTER REQUIRED)	14-1/2	14-1/2	17-1/2	17-1/2	21	17-1/2	21	24-1/2	21	24-1/2
DRAIN PAN	PLASTIC									



Trane - by Trane Technologies (NYSE: TT), a global climate innovator - creates comfortable, energy efficient indoor environments for commercial and residential applications. For more information, please visit trane.com or tranetechnologies.com.



Trane has a policy of continuous data improvement and it reserves the right to change design and specifications without notice. We are committed to using environmentally conscious print practices.