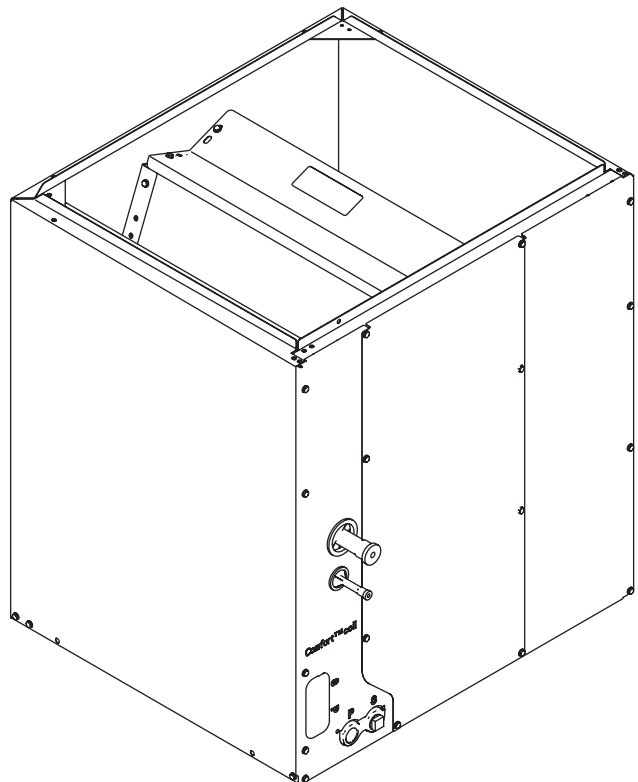




Cased Aluminum Dedicated Upflow / Downflow Coils Convertible to Horizontal with Kit

4PXC

Heat Pump /Cooling Coils for R-410A
2 – 5 Ton



22-1902-2C-EN



Aluminum Heat Pump Coil Nomenclature

Heat Pump/ Cooling Coils

1 2 3 4 5 6 7 8 9 10 11 12 13 14 15
 4 T X C B 0 3 6 A C 3 H C A A
 ▲ ▲ ▲ ▲ ▲ ▲ ▲ ▲ ▲ ▲ ▲ ▲ ▲ ▲ ▲

Refrigerant Type _____

4 = R-410A

Series _____

- T = Premium (Heat Pump)
- N = Premium (Cooling and HP)
- P = Premium High Efficiency - Dedicated position (Cooling and HP)
- C = Standard (Cooling Only)
- F = Entry Level (Cooling Only)

Coil Design _____

X = Direct Expansion Evaporator Coil

Coil Feature _____

- C = Cased A Coil
- A = Uncased A Coil
- F = Cased Horizontal Flat Coil

Coil Width (Cased/Uncased) _____

- A = 14.5" / 13.3"
- B = 17.5" / 16.3"
- C = 21.0" / 19.8"
- D = 24.5" / 23.3"
- H = 10.5"

**Refrigerant Line Coupling /
Airflow Configuration** _____

- 0 = Brazed
- U = Upflow only, convertible to Horizontal Left
- D = Downflow only, convertible to Horizontal Right

**Nominal Capacity in 1000's (BTUH) /
Model Number Distinguisher** _____

Major Design Change _____

Efficiency _____

- C = Standard
- S = High Efficiency (derived from 10 SEER products)
- Z = High Efficiency (TXV modulates to 50%)

Refrigerant Control _____

3 = TXV - Non-Bleed

Coil Circuitry _____

- H = Heat Pump
- C = Cooling

Airflow Configuration _____

- A = Upflow
- U = Upflow /Downflow
- D = Downflow
- R = Downflow / Horizontal Right
- H = Horizontal Left/Right
- C = Convertible - Upflow, Downflow, Left or Right

Minor Design Change _____

Service Digit - Not Orderable _____



General Data

PRODUCT SPECIFICATIONS^[1] -- 4 PXC – SPLIT SYSTEM HEAT PUMP / COOLING CASED DEDICATED UPFLOW COMFORT™ COILS^[2]

Model	4PXCAU24BS3HAA	4PXCAU32BS3HAA	4PXCBU24BS3HAA	4PXCBU30BS3HAA
INDOOR COIL -- Type	PLATE FIN	PLATE FIN	PLATE FIN	PLATE FIN
Cooling Capacity (Tons)	1.5 - 2.0	1.5 - 3.0	1.5 - 2.0	1.5 - 3.0
Rows / F.P.I.	2 / 20	2 / 20	2 / 20	3 / 14
Face Area (sq.ft.)	3.0	4.5	3.0	3.5
Tube Size	3/8	3/8	3/8	3/8
Refrigerant Control	Non-Bleed TXV	Non-Bleed TXV	Non-Bleed TXV	Non-Bleed TXV
Internal check valve	Yes	Yes	Yes	Yes
Drain Conn. Size (in.)	3/4 NPT	3/4 NPT	3/4 NPT	3/4 NPT
Duct Connections	See outline drawing	See outline drawing	See outline drawing	See outline drawing
REFRIGERANT CONNECTIONS	R-410A BRAZED	R-410A BRAZED	R-410A BRAZED	R-410A BRAZED
Line Size -- Gas (in.)	3/4	3/4	3/4	3/4
Line Size -- Liquid (in.)	3/8	3/8	3/8	3/8
DIMENSIONS (in.)	H X W X D	H X W X D	H X W X D	H X W X D
Crated (H x W x D)	21.35 x 17.5 x 26.5	26.35 x 17.5 x 26.5	21.35 x 20.5 x 26.5	21.35 x 20.5 x 26.5
Uncrated	17.6 x 14.5 x 21.5	22.6 x 14.5 x 21.5	17.6 x 17.5 x 21.5	17.6 x 17.5 x 21.5
WEIGHT (lbs)				
Shipping -- Net	39 / 31	43 / 35	42 / 34	47 / 39
Model	4PXCCU30BS3HAA	4PXCBU36BS3HAA	4PXCCU36BS3HAA	4PXCBU42BS3HAA
INDOOR COIL -- Type	PLATE FIN	PLATE FIN	PLATE FIN	PLATE FIN
Cooling Capacity (Tons)	1.5 - 3.0	2.0 - 3.5	2.0 - 4.0	2.0 - 3.5
Rows / F.P.I.	3 / 14	3 / 12	3 / 12	3 / 14
Face Area (sq.ft.)	3.5	5.0	5.0	5.5
Tube Size	3/8	3/8	3/8	3/8
Refrigerant Control	Non-Bleed TXV	Non-Bleed TXV	Non-Bleed TXV	Non-Bleed TXV
Internal check valve	Yes	Yes	Yes	Yes
Drain Conn. Size (in.)	3/4 NPT	3/4 NPT	3/4 NPT	3/4 NPT
Duct Connections	See outline drawing	See outline drawing	See outline drawing	See outline drawing
REFRIGERANT CONNECTIONS	R-410A BRAZED	R-410A BRAZED	R-410A BRAZED	R-410A BRAZED
Line Size -- Gas (in.)	3/4	7/8	7/8	7/8
Line Size -- Liquid (in.)	3/8	3/8	3/8	3/8
DIMENSIONS (in.)	H X W X D	H X W X D	H X W X D	H X W X D
Crated (H x W x D)	21.35 x 24 x 26.5	26.35 x 20.5 x 26.5	26.35 x 24 x 26.5	30.65 x 20.5 x 26.5
Uncrated	17.6 x 21 x 21.5	22.6 x 17.5 x 21.5	22.6 x 21 x 21.5	26.9 x 17.5 x 21.5
WEIGHT (lbs)				
Shipping -- Net	49 / 41	54 / 46	56 / 48	61 / 53

[1] These indoor coils are A.H.R.I. certified with various split system air conditioners and heat pumps (A.H.R.I. Standard 210/240).

Refer to the Split System Outdoor product information site or www.ahrinet.org

[2] Convertible to Horizontal Left with Kit



General Data

PRODUCT SPECIFICATIONS^[1] -- 4 PXC – SPLIT SYSTEM HEAT PUMP / COOLING CASED DEDICATED UPFLOW COMFORT™ COILS ^[2]

Model	4PXCCU42BS3HAA	4PXCBU48BS3HAA	4PXCCU48BS3HAA	4PXCDCU48BS3HAA
INDOOR COIL -- Type	PLATE FIN	PLATE FIN	PLATE FIN	PLATE FIN
Cooling Capacity (Tons)	2.5 - 3.5	2.0 - 4.0	3.0 - 5.0	3.0 - 5.0
Rows / F.P.I.	3 / 14	3 / 14	3 / 14	3 / 14
Face Area (sq.ft.)	5.5	6.0	6.0	6.0
Tube Size	3/8	3/8	3/8	3/8
Refrigerant Control	Non-Bleed TXV	Non-Bleed TXV	Non-Bleed TXV	Non-Bleed TXV
Internal check valve	Yes	Yes	Yes	Yes
Drain Conn. Size (in.)	3/4 NPT	3/4 NPT	3/4 NPT	3/4 NPT
Duct Connections	See outline drawing	See outline drawing	See outline drawing	See outline drawing
REFRIGERANT CONNECTIONS	R-410A BRAZED	R-410A BRAZED	R-410A BRAZED	R-410A BRAZED
Line Size -- Gas (in.)	7/8	7/8	7/8	7/8
Line Size -- Liquid (in.)	3/8	3/8	3/8	3/8
DIMENSIONS (in.)	H X W X D	H X W X D	H X W X D	H X W X D
Crated (H x W x D)	30.65 x 24 x 26.5	30.65 x 20.5 x 26.5	30.65 x 24 x 26.5	30.65 x 27.5 x 26.5
Uncrated	26.9 x 21 x 21.5	26.9 x 17.5 x 21.5	26.9 x 21 x 21.5	26.9 x 24.5 x 21.5
WEIGHT (lbs)				
Shipping -- Net	64 / 56	61 / 53	64 / 56	68 / 60

Model	4PXCCU60BS3HAA	4PXCDCU60BS3HAA
INDOOR COIL -- Type	PLATE FIN	PLATE FIN
Cooling Capacity (Tons)	3.5 - 5.0	3.5 - 5.0
Rows / F.P.I.	3 / 12	3 / 12
Face Area (sq.ft.)	6.0	6.0
Tube Size	3/8	3/8
Refrigerant Control	Non-Bleed TXV	Non-Bleed TXV
Internal check valve	Yes	Yes
Drain Conn. Size (in.)	3/4 NPT	3/4 NPT
Duct Connections	See outline drawing	See outline drawing
REFRIGERANT CONNECTIONS	R-410A BRAZED	R-410A BRAZED
Line Size -- Gas (in.)	3/4	7/8
Line Size -- Liquid (in.)	3/8	3/8
DIMENSIONS (in.)	H X W X D	H X W X D
Crated (H x W x D)	34.45 x 24 x 26.5	34.45 x 27.5 x 26.5
Uncrated	30.7 x 21 x 21.5	30.7 x 24.5 x 21.5
WEIGHT (lbs)		
Shipping -- Net	73 / 65	77 / 69

[1] These indoor coils are A.H.R.I. certified with various split system air conditioners and heat pumps (A.H.R.I. Standard 210/240). Refer to the Split System Outdoor product information site or www.ahrinet.org

[2] Convertible to Horizontal Left with Kit



General Data

PRODUCT SPECIFICATIONS^[1] -- 4 PXC – SPLIT SYSTEM HEAT PUMP / COOLING CASED DEDICATED DOWNFLOW COMFORT™ COILS ^[2]

Model	4PXCAD24BS3HDA	4PXCBD24BS3HDA	4PXCBD30BS3HDA	4PXCCD30BS3HDA
INDOOR COIL -- Type	PLATE FIN	PLATE FIN	PLATE FIN	PLATE FIN
Cooling Capacity (Tons)	1.5 - 2.0	1.5 - 2.0	1.5 - 3.0	1.5 - 3.0
Rows / F.P.I.	2 / 20	2 / 20	3 / 14	3 / 14
Face Area (sq.ft.)	3.0	3.0	3.5	3.5
Tube Size	3/8	3/8	3/8	3/8
Refrigerant Control	Non-Bleed TXV	Non-Bleed TXV	Non-Bleed TXV	Non-Bleed TXV
Internal check valve	Yes	Yes	Yes	Yes
Drain Conn. Size (in.)	3/4 NPT	3/4 NPT	3/4 NPT	3/4 NPT
Duct Connections	See outline drawing	See outline drawing	See outline drawing	See outline drawing
REFRIGERANT CONNECTIONS	R-410A BRAZED	R-410A BRAZED	R-410A BRAZED	R-410A BRAZED
Line Size -- Gas (in.)	3/4	3/4	3/4	3/4
Line Size -- Liquid (in.)	3/8	3/8	3/8	3/8
DIMENSIONS (in.)	H X W X D	H X W X D	H X W X D	H X W X D
Crated (H x W x D)	21.35 x 17.5 x 26.5	21.35 x 20.5 x 26.5	21.35 x 20.5 x 26.5	21.35 x 24 x 26.5
Uncrated	17.6 x 14.5 x 21.5	17.6 x 17.5 x 21.5	17.6 x 17.5 x 21.5	17.6 x 21 x 21.5
WEIGHT (lbs)				
Shipping -- Net	39 / 31	42 / 34	47 / 39	49 / 41
Model	4PXCBD36BS3HDA	4PXCCD36BS3HDA	4PXCBD42BS3HDA	4PXCCD42BS3HDA
INDOOR COIL -- Type	PLATE FIN	PLATE FIN	PLATE FIN	PLATE FIN
Cooling Capacity (Tons)	2.0 - 3.5	2.0 - 4.0	2.0 - 3.5	2.5 - 3.5
Rows / F.P.I.	3 / 12	3 / 12	3 / 14	3 / 14
Face Area (sq.ft.)	5.0	5.0	5.5	5.5
Tube Size	3/8	3/8	3/8	3/8
Refrigerant Control	Non-Bleed TXV	Non-Bleed TXV	Non-Bleed TXV	Non-Bleed TXV
Internal check valve	Yes	Yes	Yes	Yes
Drain Conn. Size (in.)	3/4 NPT	3/4 NPT	3/4 NPT	3/4 NPT
Duct Connections	See outline drawing	See outline drawing	See outline drawing	See outline drawing
REFRIGERANT CONNECTIONS	R-410A BRAZED	R-410A BRAZED	R-410A BRAZED	R-410A BRAZED
Line Size -- Gas (in.)	7/8	7/8	7/8	7/8
Line Size -- Liquid (in.)	3/8	3/8	3/8	3/8
DIMENSIONS (in.)	H X W X D	H X W X D	H X W X D	H X W X D
Crated (H x W x D)	26.35 x 20.5 x 26.5	26.35 x 24 x 26.5	30.65 x 20.5 x 26.5	30.65 x 24 x 26.5
Uncrated	22.6 x 17.5 x 21.5	22.6 x 21 x 21.5	26.9 x 17.5 x 21.5	26.9 x 21 x 21.5
WEIGHT (lbs)				
Shipping -- Net	54 / 46	56 / 48	61 / 53	64 / 56

[1] These indoor coils are A.H.R.I. certified with various split system air conditioners and heat pumps (A.H.R.I. Standard 210/240).

Refer to the Split System Outdoor product information site or www.ahrinet.org

[2] Convertible to Horizontal Right with Kit



General Data

PRODUCT SPECIFICATIONS^[1] -- 4 PXC – SPLIT SYSTEM HEAT PUMP / COOLING CASED DEDICATED DOWNFLOW COMFORT™ COILS ^[2]

Model	4PXCBD48BS3HDA	4PXCCD48BS3HDA	4PXCDD48BS3HDA
INDOOR COIL -- Type	PLATE FIN	PLATE FIN	PLATE FIN
Cooling Capacity (Tons)	2.0 - 4.0	3.0 - 5.0	3.0 - 5.0
Rows / F.P.I.	3 / 14	3 / 14	3 / 14
Face Area (sq.ft.)	6.0	6.0	6.0
Tube Size	3/8	3/8	3/8
Refrigerant Control	Non-Bleed TXV	Non-Bleed TXV	Non-Bleed TXV
Internal check valve	Yes	Yes	Yes
Drain Conn. Size (in.)	3/4 NPT	3/4 NPT	3/4 NPT
Duct Connections	See outline drawing	See outline drawing	See outline drawing
REFRIGERANT CONNECTIONS	R-410A BRAZED	R-410A BRAZED	R-410A BRAZED
Line Size -- Gas (in.)	7/8	7/8	7/8
Line Size -- Liquid (in.)	3/8	3/8	3/8
DIMENSIONS (in.)	H X W X D	H X W X D	H X W X D
Crated (H x W x D)	30.65 x 20.5 x 26.5	30.65 x 24 x 26.5	30.65 x 27.5 x 26.5
Uncrated	26.9 x 17.5 x 21.5	26.9 x 21 x 21.5	26.9 x 24.5 x 21.5
WEIGHT (lbs)			
Shipping -- Net	61 / 53	64 / 56	68 / 60

Model	4PXCCD60BS3HDA	4PXCDD60BS3HDA
INDOOR COIL -- Type	PLATE FIN	PLATE FIN
Cooling Capacity (Tons)	3.5 - 5.0	3.5 - 5.0
Rows / F.P.I.	3 / 12	3 / 12
Face Area (sq.ft.)	6.0	6.0
Tube Size	3/8	3/8
Refrigerant Control	Non-Bleed TXV	Non-Bleed TXV
Internal check valve	Yes	Yes
Drain Conn. Size (in.)	3/4 NPT	3/4 NPT
Duct Connections	See outline drawing	See outline drawing
REFRIGERANT CONNECTIONS	R-410A BRAZED	R-410A BRAZED
Line Size -- Gas (in.)	3/4	7/8
Line Size -- Liquid (in.)	3/8	3/8
DIMENSIONS (in.)	H X W X D	H X W X D
Crated (H x W x D)	34.45 x 24 x 26.5	34.45 x 27.5 x 26.5
Uncrated	30.7 x 21 x 21.5	30.7 x 24.5 x 21.5
WEIGHT (lbs)		
Shipping -- Net	73 / 65	77 / 69

[1] These indoor coils are A.H.R.I. certified with various split system air conditioners and heat pumps (A.H.R.I. Standard 210/240).

Refer to the Split System Outdoor product information site or www.ahrinet.org

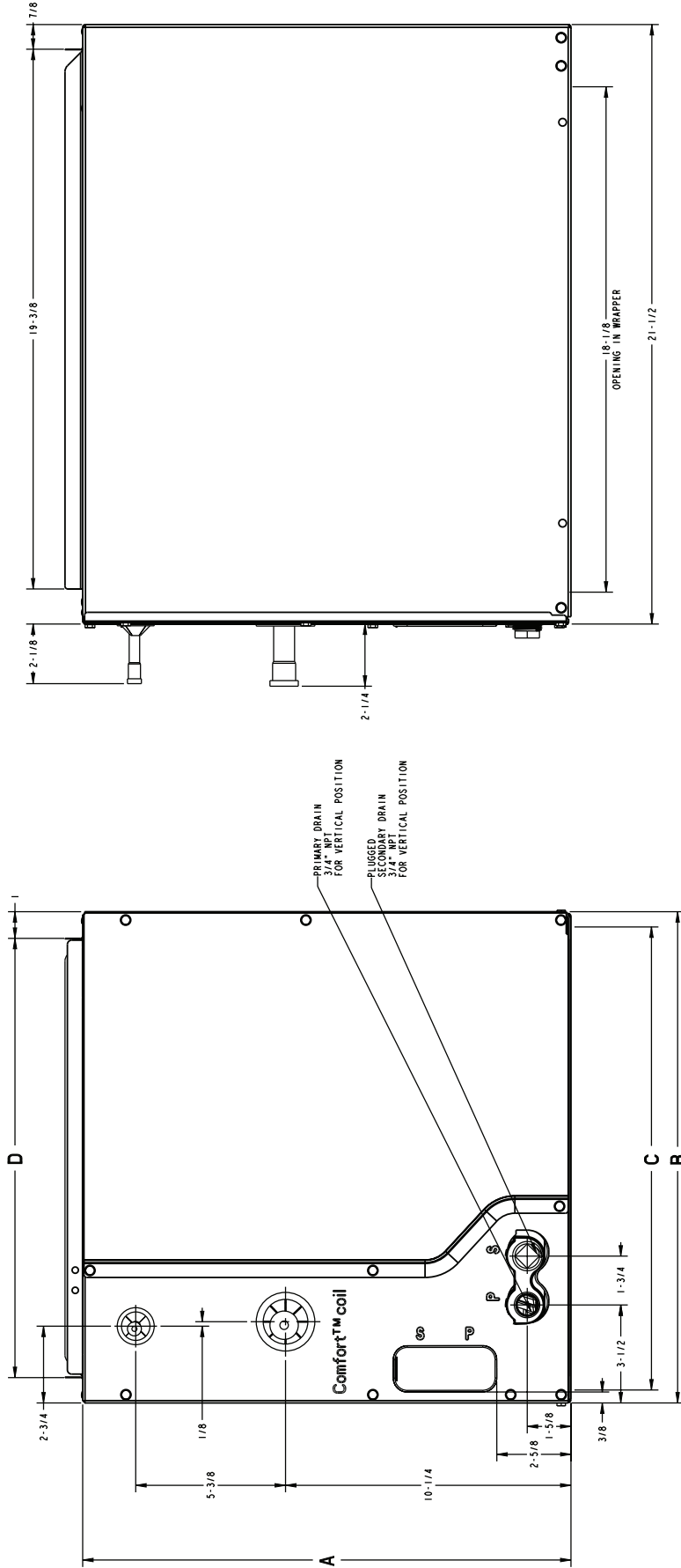
[2] Convertible to Horizontal Right with Kit



Performance Data

PRESSURE DROP CHARACTERISTICS FOR COOLING AND HEAT PUMP COILS							
AIRFLOW (SCFM) VS. PRESSURE DROP ACROSS WET COIL							
PRESSURE DROP (INCHES OF WATER COLUMN)							
MODEL	0.1	0.15	0.2	0.25	0.3	0.35	0.4
4PXCAD24BS3HDA	315	405	480	545	610	670	725
4PXCAU24BS3HAA	340	430	510	585	650	715	775
4PXCAU32BS3HDA	570	725	860	985	1100	1200	1305
4PXCBD24BS3HDA	405	520	615	705	785	860	935
4PXCBD30BS3HDA	510	645	760	865	965	1055	1140
4PXCBD36BS3HDA	645	810	950	1080	1200	1305	1410
4PXCBD42BS3HDA	585	745	880	1000	1115	1220	1315
4PXCBD48BS3HDA	605	765	905	1035	1150	1255	1360
4PXCBU24BS3HAA	435	555	660	755	840	920	995
4PXCBU30BS3HAA	525	665	790	900	1000	1095	1180
4PXCBU36BS3HAA	655	825	970	1100	1220	1330	1435
4PXCBU42BS3HAA	625	790	935	1065	1185	1295	1400
4PXCBU48BS3HAA	640	815	965	1095	1220	1335	1445
4PXCCD30BS3HDA	520	660	780	885	985	1080	1165
4PXCCD36BS3HDA	760	955	1125	1275	1415	1540	1665
4PXCCD42BS3HDA	695	880	1040	1185	1315	1440	1555
4PXCCD48BS3HDA	715	910	1075	1225	1360	1490	1610
4PXCCD60BS3HDA	720	920	1095	1250	1390	1525	1655
4PXCCU30BS3HAA	540	680	805	920	1020	1120	1210
4PXCCU36BS3HAA	770	970	1145	1300	1440	1570	1696
4PXCCU42BS3HAA	735	930	1105	1255	1400	1530	1655
4PXCCU48BS3HAA	760	965	1140	1300	1445	1580	1710
4PXCCU60BS3HAA	740	940	1120	1280	1425	1565	1695
4PXCDD48BS3HDA	820	1035	1225	1395	1555	1700	1840
4PXCDD60BS3HDA	815	1040	1235	1410	1575	1725	1870
4PXCDDU48BS3HAA	870	1100	1300	1485	1650	1805	1950
4PXCDDU60BS3HAA	835	1065	1265	1445	1615	1770	1915

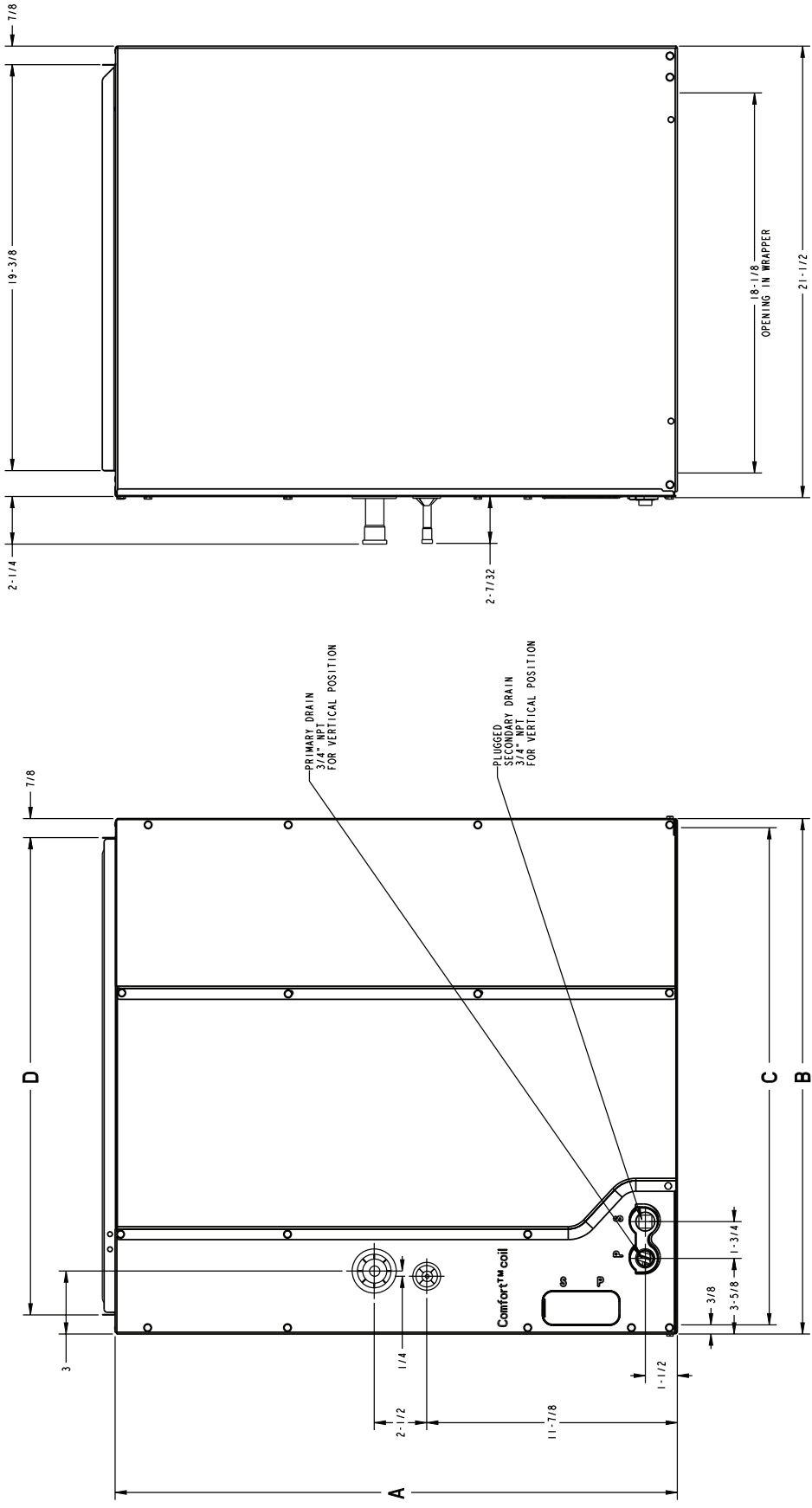
Outline Drawing for Upflow models: 4PXCBU30BS3HAA, 4PXCCU30BS3HAA, and
Downflow models: 4PXCBD30BS3HDA, 4PXCCD30BS3HDA



MODEL	4PXCBU30BS3 4PXCBD30BS3	4PXCCU30BS3 4PXCCD30BS3
WEIGHT (LBS.)	47	49
REFRIGERANT CONTROL	TXV (NON-BLEED)	
HEIGHT (IN.)	17-1/2	17-1/2
OVERALL WIDTH (IN.)	17-1/2	21
OPENING WIDTH (IN.)	16-5/8	20-1/8
TOP OPENING	15-3/4	19-1/4
GAS CONNECTION	3/4	3/8
LIQUID CONNECTION	3/8	3/8
MATCHED FURNACE WIDTH (NO ADAPTER REQUIRED)	17-1/2	21
DRAIN PAN	PLASTIC	

From Dwg. D345398 RevC

Outline Drawing for Upflow models: 4PXCDU48BS3HAA, 4PXCDU60BS3HAA, and
Downflow models: 4PXCDD48BS3HDA, 4PXCDD60BS3HDA



MODEL	4PXCDU48BS3 4PXCDD48BS3	4PXCDU60BS3 4PXCDD60BS3
WEIGHT (LBS.)	68	77
REFRIGERANT CONTROL	TXV (NON-BLEED)	
HEIGHT (IN.)	26-7/8	30-3/4
OVERALL WIDTH (IN.)	24-1/2	24-1/2
OPENING WIDTH (IN.)	23-5/8	23-5/8
TOP OPENING	22-3/4	22-3/4
GAS CONNECTION	7/8	7/8
LIQUID CONNECTION	3/8	3/8
MATCHED FURNACE WIDTH (NO ADAPTER REQUIRED)	24-1/2	24-1/2
DRAIN PAN	PLASTIC	

From Dwg. D345408 RevD



General Data

HORIZONTAL CONVERSION KIT LISTED BY COIL MATCH

Model Number		Horizontal Kit No.
4PXCAU24BS3HAA	4PXCAD24BS3HDA	BAYCONV18A
4PXCBU24BS3HAA	4PXCBD24BS3HDA	
4PXCBU30BS3HAA	4PXCBD30BS3HDA	
4PXCCU30BS3HAA	4PXCCD30BS3HDA	
4PXCAU32BS3HAA	4PXCBD36BS3HDA	BAYCONV23A
4PXCBU36BS3HAA	4PXCCD36BS3HDA	
4PXCCU36BS3HAA		
4PXCBU42BS3HAA	4PXCBD42BS3HDA	BAYCONV27A
4PXCCU42BS3HAA	4PXCCD42BS3HDA	
4PXCBU48BS3HAA	4PXCBD48BS3HDA	
4PXCCU48BS3HAA	4PXCCD48BS3HDA	
4PXCDD48BS3HAA	4PXCDD48BS3HDA	
4PXCCU60BS3HAA	4PXCCD60BS3HDA	BAYCONV30A
4PXCDD60BS3HAA	4PXCDD60BS3HDA	



Trane - by Trane Technologies (NYSE: TT), a global climate innovator - creates comfortable, energy efficient indoor environments for commercial and residential applications. For more information, please visit trane.com or tranetechnologies.com.



Trane has a policy of continuous data improvement and it reserves the right to change design and specifications without notice. We are committed to using environmentally conscious print practices.