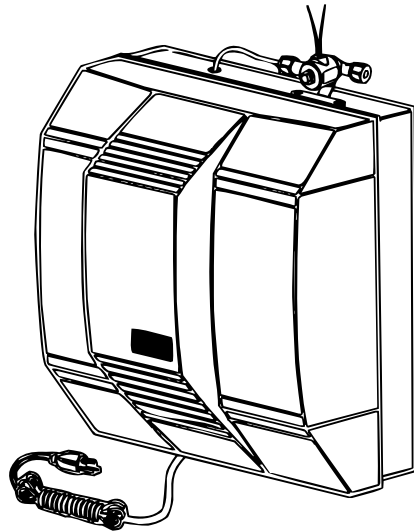




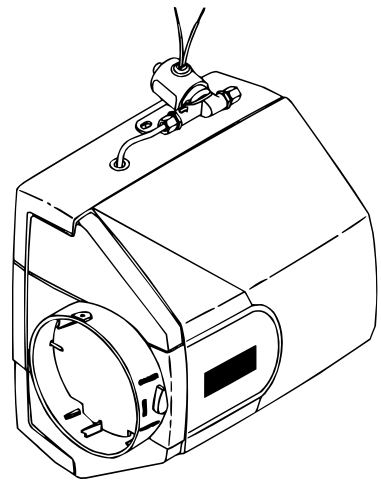
# Fan Powered and Bypass Humidifiers

---

- THUMD500APA00B - Fan Powered Humidifier**
- THUMD300ABA00B - Large Bypass Humidifier**
- THUMD200ABM00B - Small Bypass Humidifier**



THUMD500A



THUMD200A/300A



# Features and Benefits

## Features: THUMD500A

- Flow Through Fan Powered Humidifier
- High Performance Humidifier Delivers up to 18 Gallons per Day
- Humidifies an Average Home of up to 2100 SqFt
- Automatic Humidifier Control with O.D. Sensor for up to 50% more Humidity
- Front Cover Access for easy replacement of humidifier pad.
- Aluminum Humidifier Pad Treated with Ceramic Clay for Enhanced Pad Performance
- Reliable Brass Solenoid Valve w/Stainless Steel Valve Seat
- UV Resistant Cabinet and Scale Control Insert
- Saddle Valve
- Polyslate Gray Housing matches Furnace Cabinet Color
- 120V Power Line Cord

## Features: THUMD200,300A

- THUMD300A Bypass delivers up to 17 Gallons per day
- THUMD200A delivers up to 12 Gallons per day.
- THUMD300A Automatic Humidifier Control and O.D. Sensor for up to 50% more Humidity
- THUMD200A Manual Humidifier Control
- UV Resistant Cabinet and Scale Control Insert
- Front Cover Access for easy replacement of humidifier pad.
- Aluminum Humidifier Pad Treated with Ceramic Clay for Enhanced Pad Performance
- Reliable Brass Solenoid Valve w/Stainless Steel Valve Seat
- Field Convertible Duct Connection, Left or Right Side
- Built in Summer / Winter Damper
- Saddle Valve
- Polyslate Gray Housing matches Furnace Cabinet Color
- 24/120 V Transformer

# Optional Equipment

## OPTIONAL EQUIPMENT FOR HUMIDIFIERS

Large Humidifier Pad 13"x10" .....	BAYPAD02A1310A <sup>④</sup> [ ]
Small Humidifier Pad 9-7/8"x9-5/8" .....	BAYPAD01A1010A <sup>④</sup> [ ]
Automatic Humidifier Control .....	TCONTH01AAUTOA [ ]
Current Sensing Relay .....	BAYRLY10ASENSA [ ]
Adapter Plate (Duct Mount) .....	BAYPLT01AMHCOA [ ]

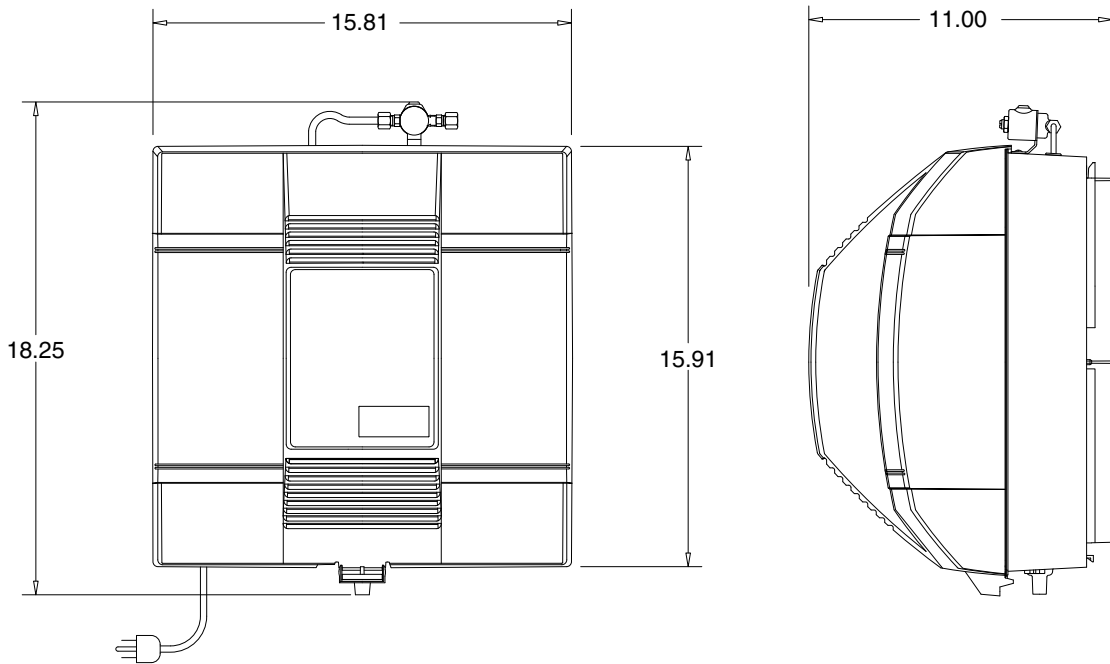
<sup>④</sup> Packaged 10 per carton.



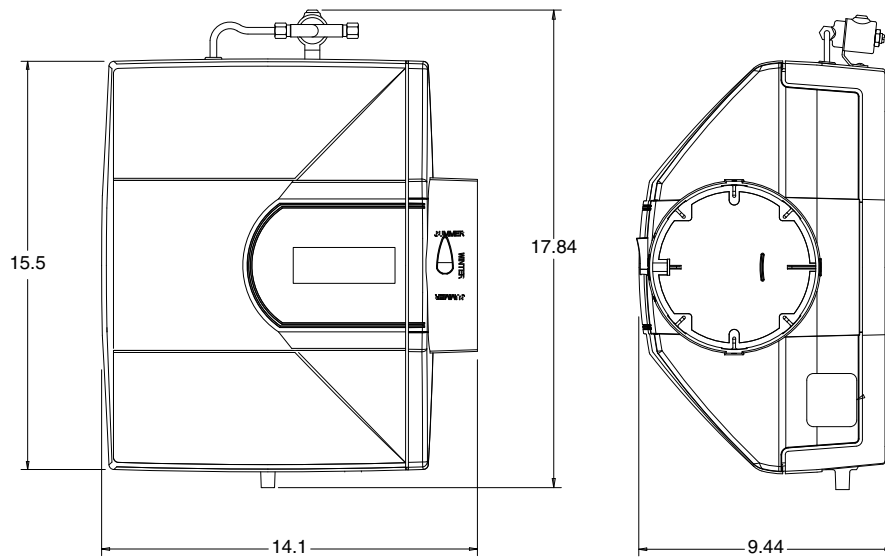
## General Data

MODEL	THUMD500APA00B	THUMD300ABA00B	THUMD200ABA00B
<b>RATED VOLTS/PH/HZ</b>	120/1/60	24/1/60	24/1/60
<b>RATE GALLONS / DAY</b>	18	17	12
Water Feed Rate (Gal/hr)	6	6	3
<b>AIRFLOW</b>	Fan	Bypass	Bypass
Water Flow	Drain	Drain	Drain
<b>120 V LINE CORD</b>	Yes	N/A	N/A
Min. Brch. Cir. Ampacity 3	10	N/A	N/A
<b>LOW VOLTAGE 24V 60 Hz</b>			
Amps	.1	0.50	0.50
VA(Max)	2.4	12	12
Watts	2.4	6	6
<b>CONNECTIONS</b>			
Water (Potable) inlet	1/4-in Copper Tubing	1/4-in Copper Tubing	1/4-in Copper Tubing
Water Drain	1/2-in plastic hose	1/2-in plastic hose	1/2-in plastic hose
Bypass Opening (Duct)	N/A	6 in round	6 in round
<b>DIMENSIONS</b>			
Crated (in.)	18.4 x 17.2 x 13.5	18.7 x 15.0 x 11.5	15.8 x 15.2 x 11.5
Uncrated (in.) H x W x D	18.3 x 15.8 x 11.0	17.8 x 14.1 x 9.4	14.9 x 13.8 x 9.4
Duct Opening W x H	14-3/16 x 14-7/8	12.5 x 9.75	9-1/2 x 9-3/8
<b>WEIGHT</b>			
Shipping (lbs.) / Net (lbs.)	20 / 17	15 / 12	14 / 11
<b>STANDARD EQUIPMENT (included)</b>			
Humidistat	Automatic Humidifier Control 24 V	Automatic Humidifier Control 24 V	Manual Humidifier Control 24 V
Transformer	N/A	120V / 24V 12 VA	120V / 24V 12 VA
Water Valve	Solenoid, 24 VAC	Solenoid, 24 VAC	Solenoid, 24 VAC
Fan Motor	1/70 HP 120 VAC	N/A	N/A
Relay	SPST 24 VAC	N/A	N/A
Saddle Valve	Included	Included	Included
Damper (Summer / Winter)	N/A	Included	Included
<b>ACCESSORIES ( not included)</b>			
Humidifier Pad Model No.	BAYPAD02A1310A	BAYPAD02A1310A	BAYPAD01A1010A
Size in.	13 x 10 x 1-11/16	13 x 10 x 1-11/16	9-7/8 x 9-5/8 x 1-11/16
Automatic Humidifier Control	Included	Included	TCONTH01AUTOA
Current Sensing Relay	BAYRLY10ASENSA	BAYRLY10ASENSA	BAYRLY10ASENSA
Duct Plate for Manual Humidifier Control	N/A	N/A	BAYPLT01AMHC0A

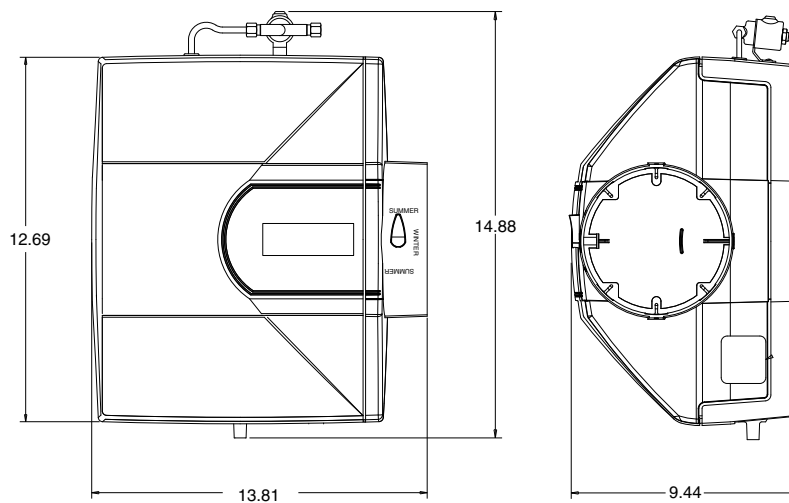
### THUMD500APA00B FAN POWERED HUMIDIFIER



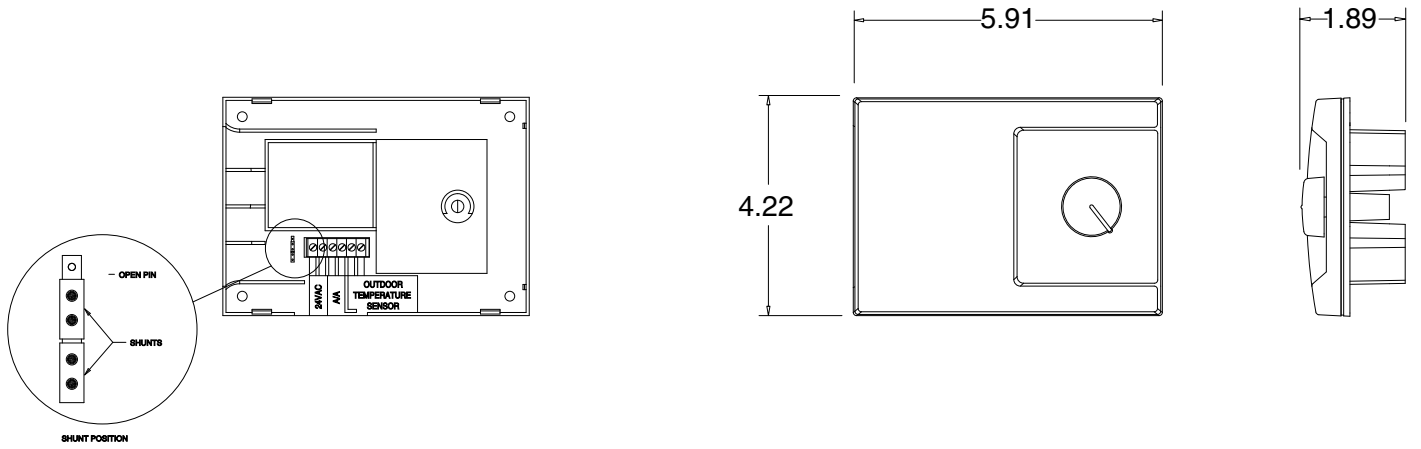
### THUMD300ABA00B LARGE BYPASS HUMIDIFIER



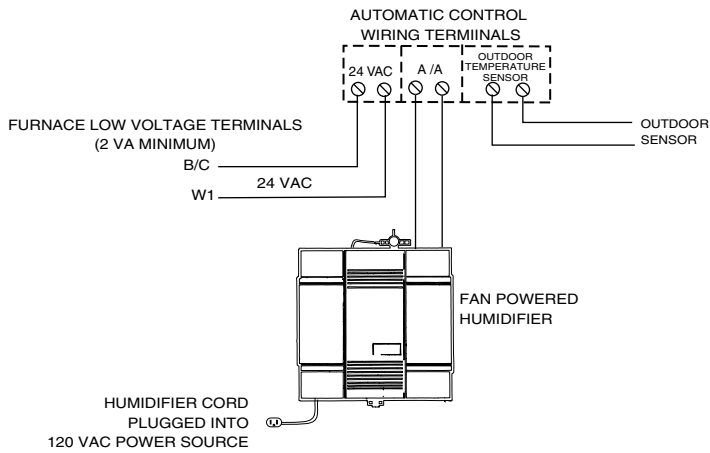
### THUMD200ABM00B SMALL BYPASS HUMIDIFIER



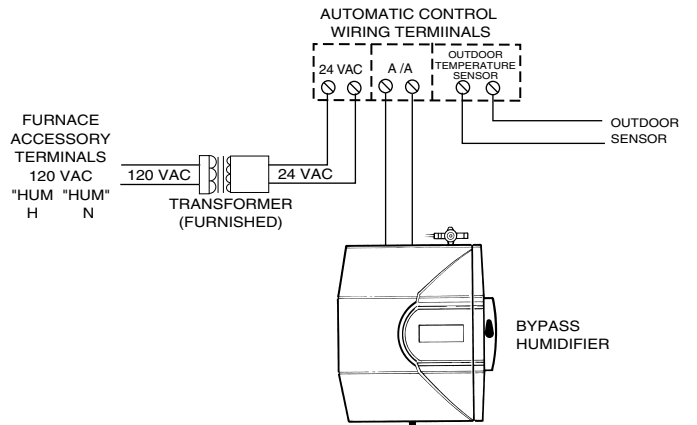
# TCONTH01AUTOA AUTOMATIC HUMIDIFIER CONTROL



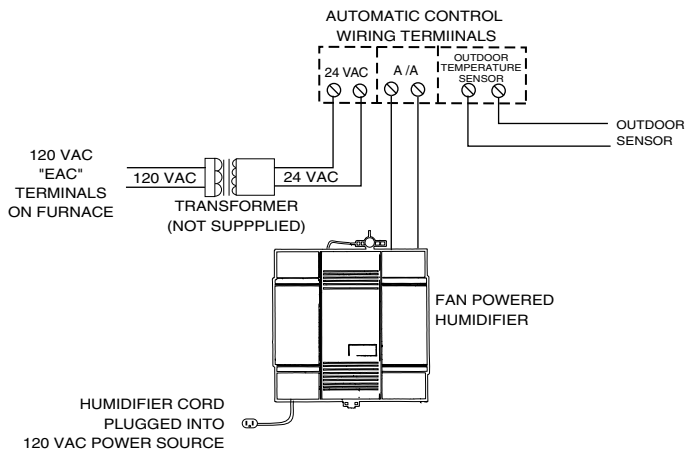
FOR OPERATION DURING "HEATING CALL" ONLY



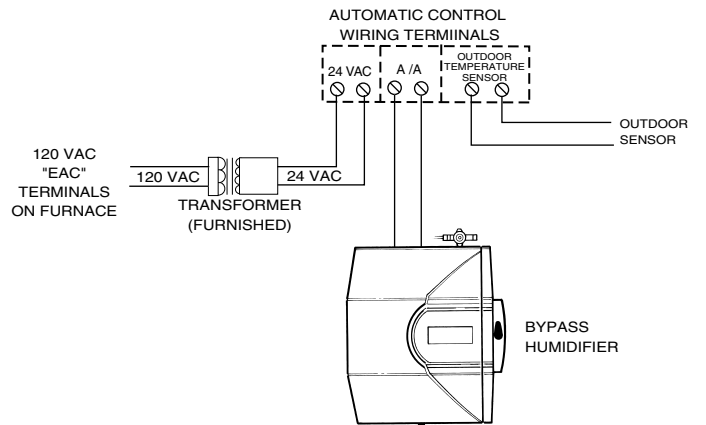
FOR OPERATION DURING "HEAT CALL" ONLY



FOR HUMIDIFIER OPERATION WHEN BLOWER IS ENERGIZED

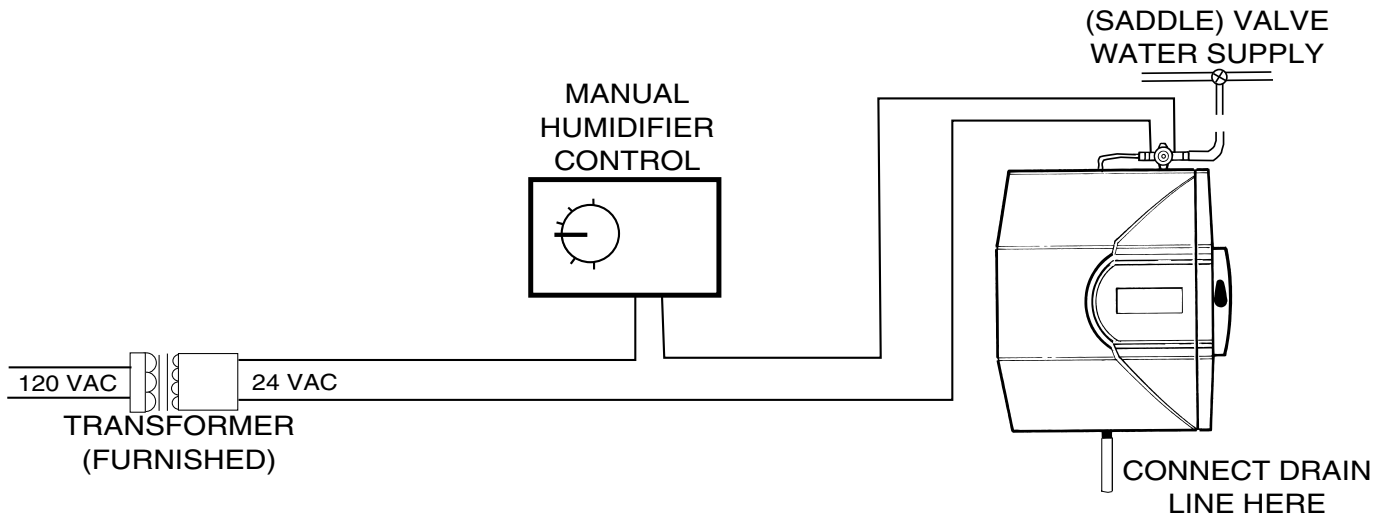
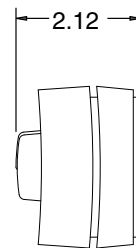
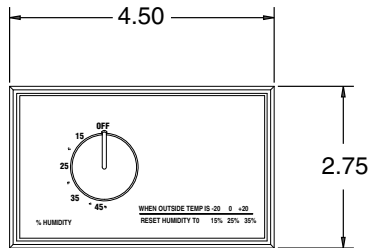


FOR HUMIDIFIER OPERATION WHEN BLOWER IS ENERGIZED



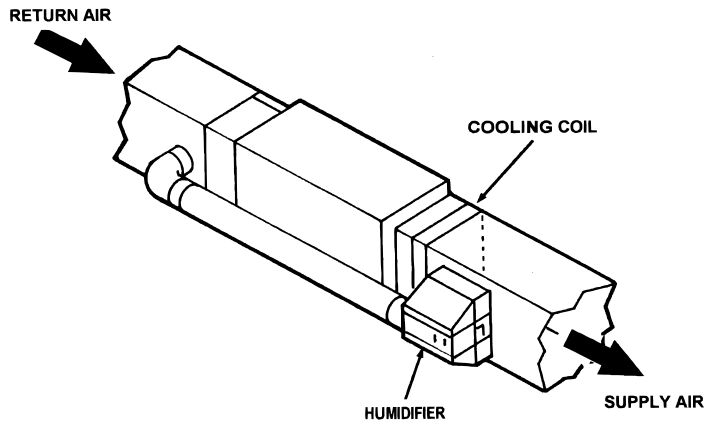


# MANUAL HUMIDIFIER CONTROL ( SHIP With THUMD200AB00B)

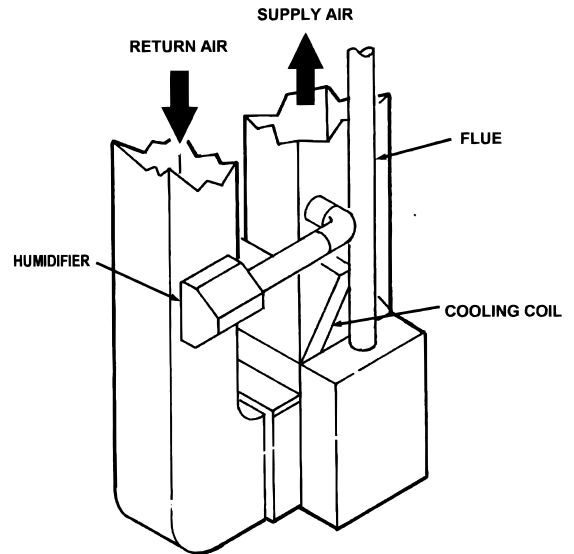


THUMD200ABM00B  
SMALL BYPASS  
HUMIDIFIER

## SUGGESTED BYPASS HUMIDIFIER LOCATIONS

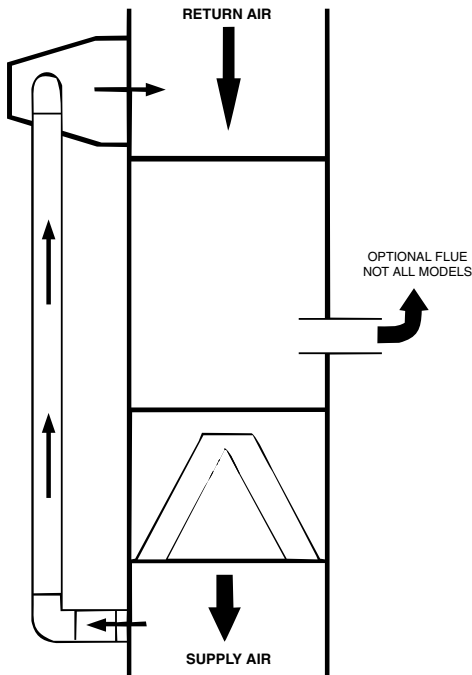


**HORIZONTAL FURNACE**

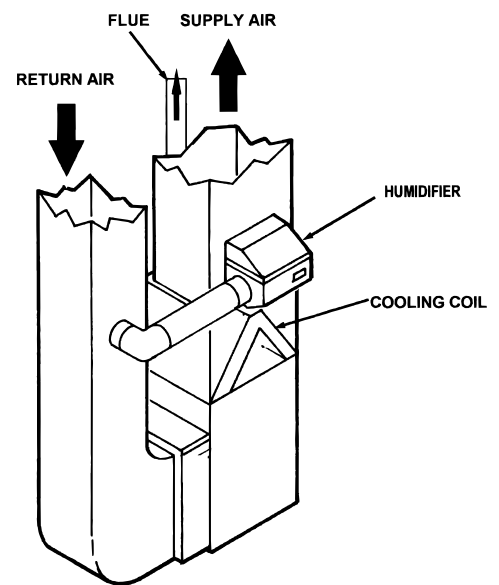


**UPFLOW FURNACE**

**OPTION "B" FRONT OF FURNACE OR FRONT MOUNT**



**DOWNFLOW FURNACE**



**UPFLOW FURNACE**

**OPTION "A" REAR OF FURNACE OR REAR MOUNT**



**TRANE**®

Trane  
6200 Troup Highway  
Tyler, TX 75707  
[www.trane.com](http://www.trane.com)

---

Literature Order Number	22-1821-02	05/09
File Number	22-1821-02	
Supersedes	22-1821-01	
Date	05/09	

---

Since **Trane** has a policy of continuous product and product data improvement, it reserves the right to change design and specifications without notice.