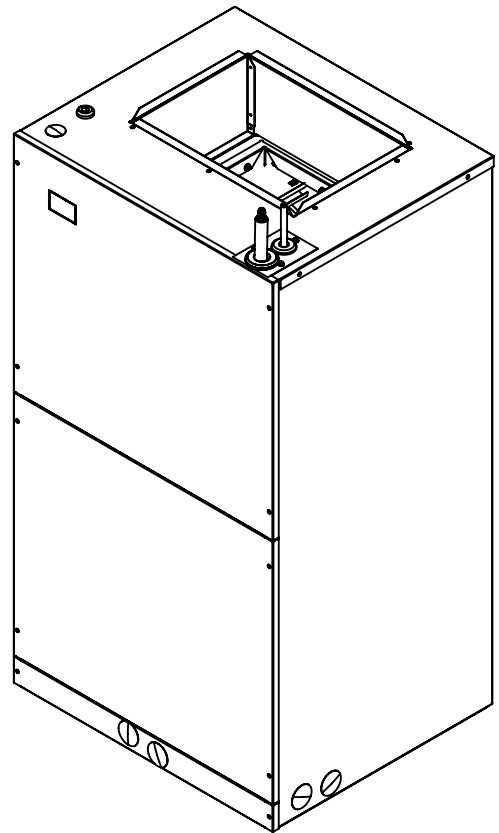


Product and Submittal Data

Wall Mount Air Handlers 1.5 to 3.0 Ton

5TMM5B0A30M21SA
5TMM5B0B30M21SB
5TMM5B0B36M31SB
5TMM5B0C36M31SA



Note: Graphics in this document are for representation only.
Actual model may differ in appearance.

Introduction

This document includes product and submittal data for the model 5TMM5 wall mount air handlers.

Copyright

This document and the information in it are the property of Trane, and may not be used or reproduced in whole or in part without written permission. Trane reserves the right to revise this publication at any time, and to make changes to its content without obligation to notify any person of such revision or change.

Trademarks

All trademarks referenced in this document are the trademarks of their respective owners.

Revision History

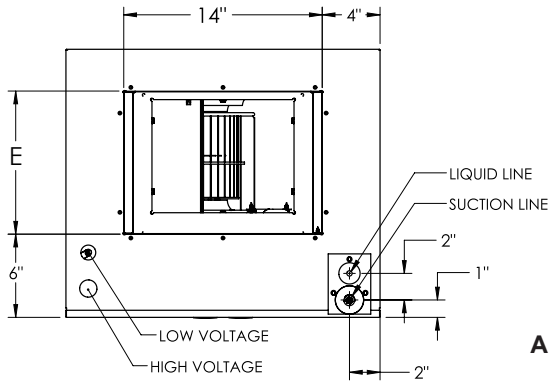
- Updated the model numbers on the cover page.
- Updated the figure and tables in the Dimensional Data chapter.

Table of Contents

| | |
|---------------------------------------|----|
| Dimensional Data | 4 |
| Product Specifications | 6 |
| Minimum Air Flow CFM | 7 |
| Heater Pressure Drop Table | 8 |
| Performance and Electrical Data | 9 |
| Air Flow Performance | 9 |
| Electrical Data | 10 |
| Features and Benefits | 11 |

Dimensional Data

Figure 1. 5TMM5B0B30M21SB and 5TMM5B0B36M31SB



| | Service Clearance Recommended |
|-------|-------------------------------|
| Sides | 0" |
| Front | 3" |
| Back | 0" |

Note: This unit is approved for installation clearances to combustibile material as stated on the unit rating nameplate.

All dimensions are reference dimensions

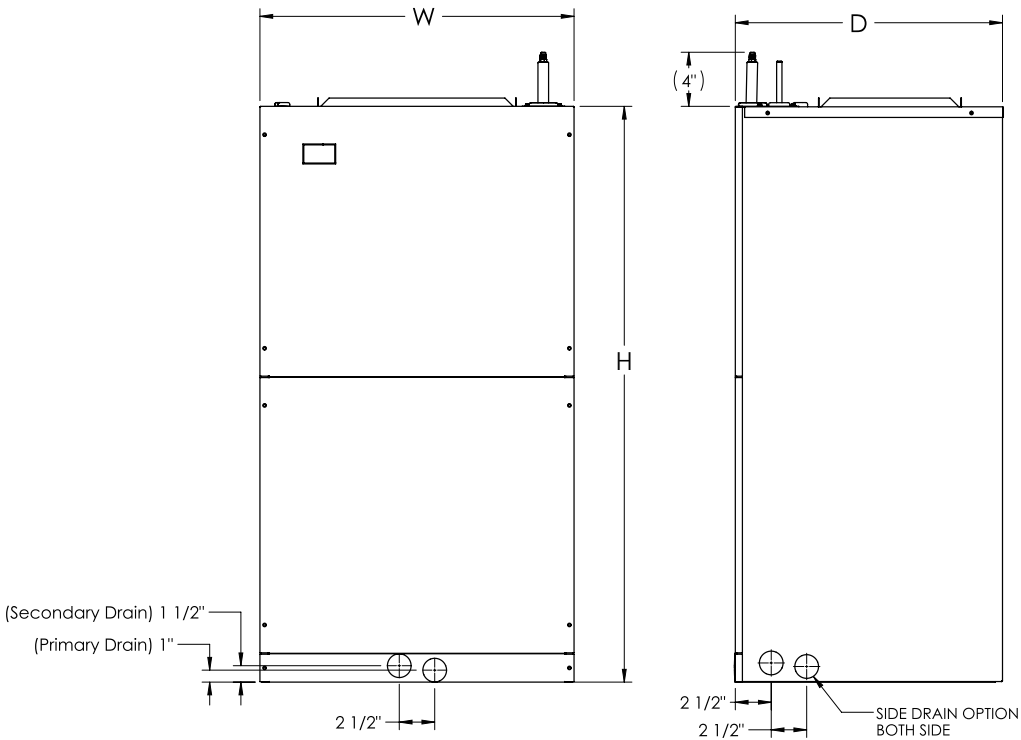


Table 1. Product dimensions

| Air handler model | A (cabinet height) | B (cabinet width) | C (cabinet depth) | D | E | Front return opening | Bottom return opening | Supply/ top outlet | Flow control | Gas line braze |
|-------------------|--------------------|-------------------|-------------------|-------|-------|----------------------|-----------------------|--------------------|--------------|----------------|
| 5TMM5B0B30M21SB | 40.50 | 22.00 | 18.75 | 14.00 | 10.00 | 21.00 x 19.50 | 21.00 x 8.25 | 14.00 x 10.00 | TXV | 3/4 |
| 5TMM5B0B36M31SB | 40.50 | 22.00 | 18.75 | 14.00 | 12.00 | 21.00 x 19.50 | 21.00 x 8.25 | 14.00 x 12.00 | TXV | 3/4 |

Note: All dimensions are in inches.

Figure 2. 5TMM5B0A30M21SA and 5TMM5B0C36M31SA

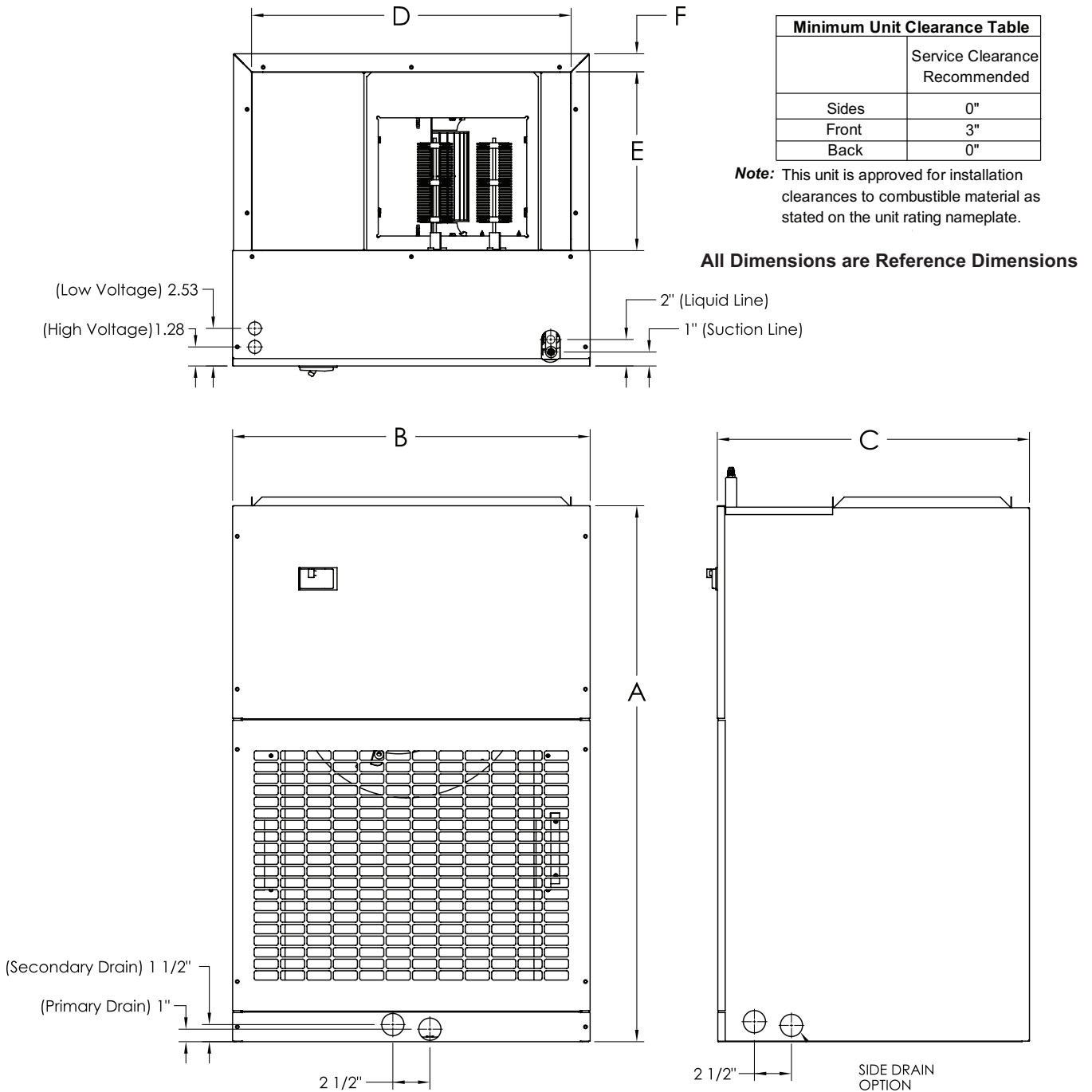


Table 2. Product dimensions

| Air handler model | A (cabinet height) | B (cabinet width) | C (cabinet depth) | D | E | F | Front return opening | Bottom return opening | Supply/ top outlet | Flow control | Gas line braze |
|-------------------|--------------------|-------------------|-------------------|-------|-------|-------|----------------------|-----------------------|--------------------|--------------|----------------|
| 5TMM5B0A30M21SA | 36.00 | 20.50 | 15.00 | 18.00 | 9.25 | 1.250 | 13.75 x 19.50 | 19.50 x 8.50 | 18.00 x 9.25 | TXV | 3/4 |
| 5TMM5B0C36M31SA | 36.00 | 24.00 | 21.00 | 21.50 | 12.00 | 1.25 | 19.63 x 23.00 | 23.00 x 13.50 | 21.50 x 12.00 | TXV | 3/4 |

Note: All dimensions are in inches.

Product Specifications

Table 3. Models – 5TMM5B0A30M21SA, 5TMM5B0B30M21SB, 5TMM5B0B36M31SB, and 5TMM5B0C36M31SA

| Model | 5TMM5B0A30M21SA | 5TMM5B0B30M21SB | 5TMM5B0B36M31SB | 5TMM5B0C36M31SA |
|-----------------------------------|--------------------------------|--------------------------------|--------------------------------|--------------------------------|
| Rated Volts/Ph/Hz | 208-240/1/60 | 208-240/1/60 | 208-240/1/60 | 208-240/1/60 |
| Ratings ^(a) | See O.D. Specifications | See O.D. Specifications | See O.D. Specifications | See O.D. Specifications |
| Indoor Coil - Type | All-Aluminum Plate Fin Slab | All-Aluminum Plate Fin Slab | All-Aluminum Plate Fin Slab | All-Aluminum Plate Fin Slab |
| Rows — F.P.I. | 4/14 | 4/14 | 4/14 | 4/14 |
| Face Area (sq. ft.) | 1.77 | 3 | 3 | 3.25 |
| Tube Size (in.) | 16 | 24 | 24 | 24 |
| Refrigerant Control | TXV | TXV | TXV | TXV |
| Drain Conn. Size (in.) | 3/4 NPT | 3/4 NPT | 3/4 NPT | 3/4 NPT |
| Duct Connections | See Outline Drawing | See Outline Drawing | See Outline Drawing | See Outline Drawing |
| Indoor Fan - Type | Centrifugal | Centrifugal | Centrifugal | Centrifugal |
| Diameter × Width (in.) | 9 × 6 | 9 × 6 | 10 × 8 | 9 × 6 |
| CFM vs. in. w.g. | See Air Flow Performance Table | See Air Flow Performance Table | See Air Flow Performance Table | See Air Flow Performance Table |
| No. Motors — H.P. | 1 – 1/3 | 1 – 1/3 | 1 – 1/2 | 1 – 1/2 |
| Volts/Ph/Hz | 208-240/1/60 | 208-240/1/60 | 208-240/1/60 | 208-240/1/60 |
| F.L. Amps | 2.4 | 2.4 | 3.6 | 3.6 |
| Filter | | | | |
| Filter Furnished? ^(b) | Yes | Yes | Yes | Yes |
| Filter Size (in.) | 14 × 18 × 1 | 20 × 20 × 1 | 20 × 20 × 1 | 20 × 20 × 1 |
| Refrigerant | R-454B | R-454B | R-454B | R-454B |
| Ref. Line Connections | Brazed | Brazed | Brazed | Brazed |
| Coupling or Conn. Size — in. Gas | 3/4 | 3/4 | 3/4 | 3/4 |
| Coupling or Conn. Size — in. Liq. | 3/8 | 3/8 | 3/8 | 3/8 |
| Dimensions | H × W × D | | | |
| Crated (in.) | 40 × 22 × 16.5 | 44.5 × 22.5 × 21 | 44.5 × 22.5 × 21 | 40 × 25.5 × 22.5 |
| Uncrated (in.) | 36 × 20.5 × 15 | 40.5 × 22 × 18.75 | 40.5 × 22 × 18.75 | 36 × 24 × 21 |
| Weight | | | | |
| Shipping (lbs.) | 80 | 102 | 102 | 90 |

^(a) These Air Handlers are AHRI certified with various Split System Air Conditioners and Heat Pumps (AHRI STANDARD 210/240). Refer to the Split System Outdoor Unit Product Data Guides for performance data.

^(b) Remote Filter Required and is supplied.

Minimum Air Flow CFM

Table 4. Minimum airflow CFM

| Model | Heater | Speed Tap | Minimum CFM Required for EHK |
|------------------------------------|----------------|-----------|------------------------------|
| 5TMM5B0A30M21SA 5TMM5B0B30M21SB | BAYHTRA505BRKA | T2 | 660 |
| | BAYHTRA508BRKA | T4 | 831 |
| | BAYHTRA510BRKA | T4 | 831 |
| 5TMM5B0B36M31SB | BAYHTRA505BRKA | T4 | 570 |
| | BAYHTRA508BRKA | T5 | 836 |
| | BAYHTRA510BRKA | T5 | 836 |
| 5TMM5B0C36M31SA | BAYHTRA505BRKA | T4 | 1031 |
| | BAYHTRA508BRKA | T5 | 1207 |
| | BAYHTRA510BRKA | T5 | 1207 |

Heater Pressure Drop Table

Table 5. Heater pressure drop table

| Airflow CFM | Number of Elements | | Heater Racks | |
|-------------|----------------------------|------|----------------|--------------|
| | 1 | 2 | Heater Model | No. of Racks |
| | Pressure Drop - (in. W.C.) | | | |
| 600 | 0.01 | 0.03 | BAYHTRA505BRKA | 1 |
| 700 | 0.01 | 0.03 | BAYHTRA508BRKA | 2 |
| 800 | 0.01 | 0.03 | BAYHTRA510BRKA | 2 |
| 900 | 0.01 | 0.03 | — | — |
| 1000 | 0.01 | 0.03 | — | — |
| 1100 | 0.01 | 0.03 | — | — |
| 1200 | 0.01 | 0.04 | — | — |
| 1300 | 0.02 | 0.04 | — | — |
| 1400 | 0.02 | 0.04 | — | — |

Performance and Electrical Data

Air Flow Performance

Table 6. Airflow — model 5TMM5B0A30M21SA

| External Static ^(a) (Wet Coil) | Speed Taps: 208 to 240 Volts | | | | |
|--|------------------------------|-------|-------|-------|-------|
| | Tap 1 | Tap 2 | Tap 3 | Tap 4 | Tap 5 |
| 0.1 | 655 | 785 | 860 | 960 | 1045 |
| 0.2 | 630 | 765 | 835 | 835 | 1015 |
| 0.3 | 605 | 735 | 805 | 805 | 995 |
| 0.4 | 580 | 715 | 775 | 775 | 975 |
| 0.5 | 560 | 685 | 745 | 745 | 950 |

^(a) Wet Coil with filter; For 208 operation multiple by 0.90

Table 7. Airflow — model 5TMM5B0B30M21SB

| External Static ^(a) (Wet Coil) | Speed Taps: 208 to 240 Volts | | | | |
|--|------------------------------|-------|-------|-------|-------|
| | Tap 1 | Tap 2 | Tap 3 | Tap 4 | Tap 5 |
| 0.1 | 909 | 723 | 600 | 723 | 909 |
| 0.2 | 864 | 690 | 656 | 690 | 864 |
| 0.3 | 840 | 652 | 539 | 652 | 840 |
| 0.4 | 800 | 631 | 502 | 631 | 800 |
| 0.5 | 782 | 600 | 480 | 600 | 782 |

^(a) Wet Coil with filter; For 208 operation multiple by 0.90

Table 8. Airflow — model 5TMM5B0B36M31SB

| External Static ^(a) (Wet Coil) | Speed Taps: 208 to 240 Volts | | | | |
|--|------------------------------|-------|-------|-------|-------|
| | Tap 1 | Tap 2 | Tap 3 | Tap 4 | Tap 5 |
| 0.1 | 1365 | 745 | 898 | 1174 | 1365 |
| 0.2 | 1332 | 698 | 873 | 1132 | 1332 |
| 0.3 | 1303 | 668 | 853 | 110 | 1303 |
| 0.4 | 1271 | 630 | 827 | 1078 | 1271 |
| 0.5 | 1240 | 600 | 880 | 1047 | 1240 |

^(a) Wet Coil with filter; For 208 operation multiple by 0.90

Table 9. Airflow — model 5TMM5B0C36M31SA

| External Static ^(a) (Wet Coil) | Speed Taps: 208 to 240 Volts | | | | |
|--|------------------------------|-------|-------|-------|-------|
| | Tap 1 | Tap 2 | Tap 3 | Tap 4 | Tap 5 |
| 0.1 | 745 | 940 | 1100 | 1220 | 1385 |
| 0.2 | 715 | 910 | 1070 | 1180 | 1350 |
| 0.3 | 675 | 875 | 1025 | 1155 | 1330 |
| 0.4 | 640 | 840 | 995 | 1115 | 1290 |
| 0.5 | 615 | 805 | 965 | 1085 | 1270 |

^(a) Wet Coil with filter; For 208 operation multiple by 0.90

Electrical Data

Table 10. Electrical data — model 5TMM5B0A30M21SA

| Heater Model No. | Number of Circuits | 240 Volt | | | | | 208 Volt | | | | | Rated Voltage | Control Stages | Number of Heater Racks | Contains Circuit Breakers |
|------------------|--------------------|----------|--------|-------------------------|-----------------------|-------------------------|----------|--------|-------------------------|-----------------------|-------------------------|---------------|----------------|------------------------|---------------------------|
| | | Capacity | | Heater Amps Per Circuit | Min. Circuit Ampacity | Max Overload Protection | Capacity | | Heater Amps Per Circuit | Min. Circuit Ampacity | Max Overload Protection | | | | |
| | | KW | BTUH | | | | KW | BTUH | | | | | | | |
| BAYHTRA 505BRKA | 1 | 4.8 | 1640-0 | 20.00 | 28.00 | 30.00 | 3.6 | 1260-0 | 17.30 | 24.60 | 30.00 | 208/240/1/60 | 1 | 1 | Yes |
| BAYHTRA 508BRKA | 1 | 8 | 2730-0 | 33.30 | 44.70 | 50.00 | 6 | 2050-0 | 28.80 | 39.10 | 40.00 | 208/240/1/60 | 1 | 2 | Yes |
| BAYHTRA 510BRKA | 1 | 9.6 | 3280-0 | 40.00 | 53.00 | 60.00 | 7.2 | 2450-0 | 34.60 | 46.30 | 50.00 | 208/240/1/60 | 1 | 2 | Yes |

Table 11. Electrical data — model 5TMM5B0B30M21SB

| Heater Model No. | Number of Circuits | 240 Volt | | | | | 208 Volt | | | | | Rated Voltage | Control Stages | Number of Heater Racks | Contains Circuit Breakers |
|------------------|--------------------|----------|--------|-------------------------|-----------------------|-------------------------|----------|--------|-------------------------|-----------------------|-------------------------|---------------|----------------|------------------------|---------------------------|
| | | Capacity | | Heater Amps Per Circuit | Min. Circuit Ampacity | Max Overload Protection | Capacity | | Heater Amps Per Circuit | Min. Circuit Ampacity | Max Overload Protection | | | | |
| | | KW | BTUH | | | | KW | BTUH | | | | | | | |
| BAYHTRA 505BRKA | 1 | 4.8 | 1640-0 | 20.00 | 28.50 | 30.00 | 3.6 | 1260-0 | 17.30 | 25.10 | 30.00 | 208/240/1/60 | 1 | 1 | Yes |
| BAYHTRA 508BRKA | 1 | 8 | 2730-0 | 33.30 | 45.20 | 50.00 | 6 | 2050-0 | 28.80 | 39.60 | 40.00 | 208/240/1/60 | 1 | 2 | Yes |
| BAYHTRA 510BRKA | 1 | 9.6 | 3280-0 | 40.00 | 53.50 | 60.00 | 7.2 | 2450-0 | 34.60 | 46.80 | 50.00 | 208/240/1/60 | 1 | 2 | Yes |

Table 12. Electrical data — model 5TMM5B0B36M31SB

| Heater Model No. | Number of Circuits | 240 Volt | | | | | 208 Volt | | | | | Rated Voltage | Control Stages | Number of Heater Racks | Contains Circuit Breakers |
|------------------|--------------------|----------|--------|-------------------------|-----------------------|-------------------------|----------|--------|-------------------------|-----------------------|-------------------------|---------------|----------------|------------------------|---------------------------|
| | | Capacity | | Heater Amps Per Circuit | Min. Circuit Ampacity | Max Overload Protection | Capacity | | Heater Amps Per Circuit | Min. Circuit Ampacity | Max Overload Protection | | | | |
| | | KW | BTUH | | | | KW | BTUH | | | | | | | |
| BAYHTRA 505BRKA | 1 | 4.8 | 1640-0 | 20.00 | 30.10 | 35.00 | 3.6 | 1260-0 | 17.30 | 26.80 | 30.00 | 208/240/1/60 | 1 | 1 | Yes |
| BAYHTRA 508BRKA | 1 | 8 | 2730-0 | 33.30 | 46.80 | 50.00 | 6 | 2050-0 | 28.80 | 41.20 | 45.00 | 208/240/1/60 | 1 | 2 | Yes |
| BAYHTRA 510BRKA | 1 | 9.6 | 3280-0 | 40.00 | 55.10 | 60.00 | 7.2 | 2450-0 | 34.60 | 48.40 | 50.00 | 208/240/1/60 | 1 | 2 | Yes |

Table 13. Electrical data — model 5TMM5B0C36M31SA

| Heater Model No. | Number of Circuits | 240 Volt | | | | | 208 Volt | | | | | Rated Voltage | Control Stages | Number of Heater Racks | Contains Circuit Breakers |
|------------------|--------------------|----------|--------|-------------------------|-----------------------|-------------------------|----------|--------|-------------------------|-----------------------|-------------------------|---------------|----------------|------------------------|---------------------------|
| | | Capacity | | Heater Amps Per Circuit | Min. Circuit Ampacity | Max Overload Protection | Capacity | | Heater Amps Per Circuit | Min. Circuit Ampacity | Max Overload Protection | | | | |
| | | KW | BTUH | | | | KW | BTUH | | | | | | | |
| BAYHTRA 505BRKA | 1 | 4.8 | 1640-0 | 20.00 | 29.50 | 35.00 | 3.6 | 1260-0 | 17.30 | 26.10 | 30.00 | 208/240/1/60 | 1 | 1 | Yes |
| BAYHTRA 508BRKA | 1 | 8 | 2730-0 | 33.30 | 46.20 | 50.00 | 6 | 2050-0 | 28.80 | 40.60 | 45.00 | 208/240/1/60 | 1 | 2 | Yes |
| BAYHTRA 510BRKA | 1 | 9.6 | 3280-0 | 40.00 | 54.50 | 60.00 | 7.2 | 2450-0 | 34.60 | 47.80 | 50.00 | 208/240/1/60 | 1 | 2 | Yes |

Features and Benefits

- Blower and coil slide out easily for maintenance
- Factory-sealed cabinet certified to achieve 1.4% or less air leakage rate at 1.0 water column
- Factory Installed R-454B Refrigerant Detection System (RDS)
- Upflow Only
- ALL Aluminum Coil
- Electric Heaters with polarized plug connections (sold as accessory)
- R-454B Thermal Expansion Valve
- ECM Motor
- Front or Bottom Return Air
- AHRI Certified and ETL listed
- Factory Installed Drain pan
- Stud or Wall Mounting Installation
- **5 Year Warranty**
- **Optional extended warranty available**

About Trane and American Standard Heating and Air Conditioning

Trane and American Standard create comfortable, energy efficient indoor environments for residential applications. For more information, please visit www.trane.com or www.americanstandardair.com.



The manufacturer has a policy of continuous data improvement and it reserves the right to change design and specifications without notice. We are committed to using environmentally conscious print practices.