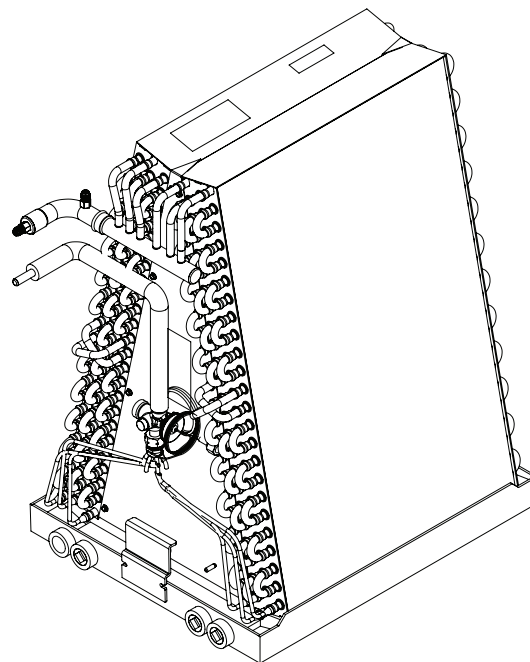




Uncased Vertical Aluminum Upflow & Downflow Cooling/HP Coils 1-1/2 – 5 Ton

5AXA

Heat Pump / Cooling Coils for R-454B



22-2004-1A-EN



Aluminum Heat Pump Coil Nomenclature

5 A X A A 0 0 1 B S 3 H A A A

Refrigerant Type

4 = R-410A
5 = R-454B

Product Family

T - Premium (Heat Pump)
P/A - Premium High Effy Dedicated Position
Coils (Cooling and HP)
M - Value Multi-Poise (Cooling and HP)

Coil Design

X - Direct Expansion Evaporator Coil

Product Family

C - Cased A Coil
A - Uncased A Coil
F - Cased Horizontal Flat Coil

Cabinet Width

A - 14.5"
B - 17.5"
C - 21.0"
D - 24.5"
H - 10.5"

Airflow Direction

0 = Multi-directional (horizontal allowed)
U = Upflow/Downflow, convertible to Horizontal Left
D = Downflow, convertible to Horizontal Right

Nominal Capacity in 1000's (BTUH)/ Model Number Distinguisher

Major Design Change

Efficiency

C - Standard
S - High Efficiency
Z - High Efficiency (TXV modulates to 50%)

Refrigerant Control

3 - TXV - Non-Bleed

Coil Circuitry

H - Heat Pump
C - Cooling

Airflow Configuration

A - Upflow
U - Upflow / Downflow
D - Downflow
R - Horizontal Left/Right
H - Horizontal Only
C - Convertible - Upflow, Downflow, Left or Right Airflow

Minor Design Change

Service Digit - Not Orderable



General Data

PRODUCT SPECIFICATIONS^[1] -- 5AXA – SPLIT SYSTEM HEAT PUMP / COOLING UNCASED UPFLOW & DOWNFLOW COMFORT™ COILS

	5AXAA001AS3HAA	5AXAB002AS3HAA	5AXAA003AS3HAA	5AXAB004AS3HAA
INDOOR COIL -- Type	PLATE FIN	PLATE FIN	PLATE FIN	PLATE FIN
Rows / F.P.I.	2 / 14	2 / 14	3 / 14	3 / 14
Face Area (sq.ft.)	2.67	3.11	3.11	3.11
Tube Size	3/8"	3/8"	3/8"	3/8"
Refrigerant Control	Non-Bleed TXV	Non-Bleed TXV	Non-Bleed TXV	Non-Bleed TXV
Drain Conn. Size (in.)	3/4 NPT	3/4 NPT	3/4 NPT	3/4 NPT
Duct Connections	See Outline Drawing	See Outline Drawing	See Outline Drawing	See outline drawing
REFRIGERANT CONNECTIONS	R-454B BRAZED	R-454B BRAZED	R-454B BRAZED	R-454B BRAZED
Line Size -- Gas (in.)	3/4	3/4	3/4	3/4
Line Size -- Liquid (in.)	3/8	3/8	3/8	3/8
DIMENSIONS (in.)				
Crated (H x W x D)	17-1/4 x 13-1/2 x 23-3/4	17-1/4 x 16-1/2 x 23-3/4	17-1/4 x 13-1/2 x 23-3/4	17-1/4 x 16-1/2 x 23-3/4
Uncrated	13 x 13 x 19-1/4	13 x 16 x 19-1/4	15 x 13 x 19-1/4	15 x 16 x 19-1/4
WEIGHT (lbs)				
Shipping -- Net	11	11	18	18
	5AXAA005AS3HAA	5AXAB006AS3HAA	5AXAB007AS3HAA	5AXAB008AS3HAA
INDOOR COIL -- Type	PLATE FIN	PLATE FIN	PLATE FIN	PLATE FIN
Rows / F.P.I.	3 / 14	3 / 14	3 / 14	3 / 14
Face Area (sq.ft.)	3.56	3.56	4.44	5.33
Tube Size	3/8"	3/8"	3/8"	3/8"
Refrigerant Control	Non-Bleed TXV	Non-Bleed TXV	Non-Bleed TXV	Non-Bleed TXV
Drain Conn. Size (in.)	3/4 NPT	3/4 NPT	3/4 NPT	3/4 NPT
Duct Connections	See outline drawing	See outline drawing	See outline drawing	See outline drawing
REFRIGERANT CONNECTIONS	R-454B BRAZED	R-454B BRAZED	R-454B, BRAZED	R-454B, BRAZED
Line Size -- Gas (in.)	3/4	3/4	7/8	7/8
Line Size -- Liquid (in.)	3/8	3/8	3/8	3/8
DIMENSIONS (in.)				
Crated (H x W x D)	17-1/4 x 13-1/2 x 23-3/4	17-1/4 x 16-1/2 x 23-3/4	23-1/4 x 17-1/4 x 23-3/4	27-1/4 x 20 x 23-3/4
Uncrated	17 x 13 x 19-1/4	17 x 16 x 19-1/4	21 x 16 x 19-1/4	25 x 16 x 19-1/4
WEIGHT (lbs)				
Shipping -- Net	22	22	27	32



General Data

	5AXAC009AS3HAA	5AXAB010AS3HAA	5AXAC011AS3HAA	5AXAD012AS3HAA
INDOOR COIL --- Type	PLATE FIN	PLATE FIN	PLATE FIN	PLATE FIN
Rows / F.P.I.	3 / 14	3 / 14	3 / 14	3 / 14
Face Area (sq.ft.)	5.33	5.78	5.78	5.78
Tube Size	3/8"	3/8"	3/8"	3/8"
Refrigerant Control	Non-Bleed TXV	Non-Bleed TXV	Non-Bleed TXV	Non-Bleed TXV
Drain Conn. Size (in.)	3/4 NPT	3/4 NPT	3/4 NPT	3/4 NPT
Duct Connections	See outline drawing	See outline drawing	See outline drawing	See outline drawing
REFRIGERANT CONNECTIONS	R-454B BRAZED	R-454B BRAZED	R-454B, BRAZED	R-454B, BRAZED
Line Size -- Gas (in.)	7/8	7/8	7/8	7/8
Line Size -- Liquid (in.)	3/8	3/8	3/8	3/8
DIMENSIONS (in.)				
Crated (H x W x D)	27-1/4 x 20 x 23-3/4	27-1/4 x 20 x 23-3/4	27-1/4 x 20 x 23-3/4	27-1/4 x 23-3/4 x 24-1/2
Uncrated	25 x 19-1/2 x 19-1/4	27 x 16 x 19-1/4	27 x 19-1/2 x 19-1/4	27 x 23 x 19-1/4
WEIGHT (lbs)				
Shipping -- Net	32	35	35	35

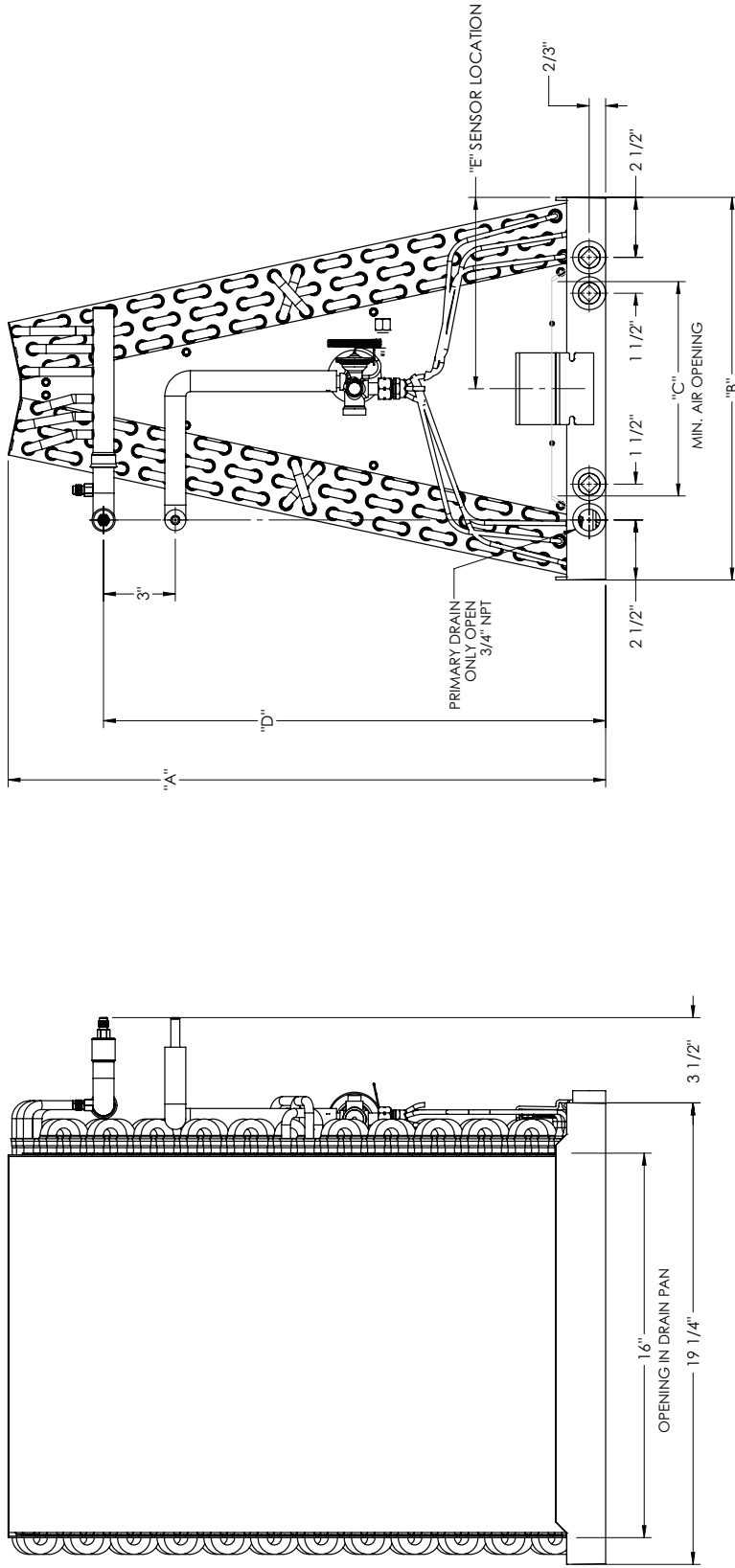
[1] These indoor coils are A.H.R.I. certified with various split system air conditioners and heat pumps (A.H.R.I. Standard 210/240). Refer to the Split System Outdoor product information site or www.ahrinet.org



Performance Data

PRESSURE DROP CHARACTERISTICS FOR 5AXA COOLING AND HEAT PUMP COILS									
WET COIL STATIC PRESSURE DROP (INCHES OF WATER COLUMN) @ VARIOUS CFM									
MODEL	600	800	1000	1200	1400	1600	1800	2000	2200
5AXAA001AS3HAA 5AXAB002AS3HAA	0.24	0.3	0.54						
5AXAA003AS3HAA 5AXAB004AS3HAA		0.22	0.3	0.44					
5AXAA005AS3HAA 5AXAB006AS3HAA			0.26	0.4	0.46				
5AXAB007AS3HAA			0.23	0.29	0.4				
5AXAB008AS3HAA 5AXAC009AS3HAA					0.3	0.35	0.45		
5AXAB010AS3HAA 5AXAC011AS3HAA 5AXAD012AS3HAA					0.29	0.29	0.3	0.37	0.34

OUTLINE DRAWING for 5AXAA001AS3HAA, 5AXAB002AS3HAA, 5AXAA003AS3HAA, 5AXB004AS3HAA, 5AXAA005AS3HAA, 5AXAB006AS3HAA, 5AXAB007AS3HAA, 5AXAB008AS3HAA, 5AXAC009AS3HAA, 5AXAB010AS3HAA, 5AXAC011AS3HAA, 5AXAD012AS3HAA (All dimensions are in inches)



TRANE MODEL (R454B)	COIL SIZE	SHIPPING WEIGHT (LBS)	REFRIGERANT CONTROL	COIL HEIGHT "A"	OVERALL WIDTH "B"	OPENING WIDTH "C"	GAS CONN. HEIGHT "D"	SENSOR LOCATION "E"	GAS CONNECTION	LIQUID CONNECTION	DRAIN PAN
5AXAA001AS3HAA	12X16X2R	11	TXV (NON BLEED)	13"	13"	5-3/4"	9"	6-1/2"	3/4"	3/8"	High Temp. Composite
5AXAB002AS3HAA	12X16X2R	11	TXV (NON BLEED)	13"	16"	8-3/4"	9"	8"	3/4"	3/8"	
5AXAA003AS3HAA	14X16X3R	18	TXV (NON BLEED)	15"	13"	5-3/4"	11"	6-1/2"	3/4"	3/8"	
5AXAB004AS3HAA	14X16X3R	18	TXV (NON BLEED)	15"	16"	8-3/4"	11"	8"	3/4"	3/8"	
5AXAA005AS3HAA	16X16X3R	22	TXV (NON BLEED)	17"	13"	5-3/4"	13"	6-1/2"	3/4"	3/8"	
5AXAB006AS3HAA	16X16X3R	22	TXV (NON BLEED)	17"	16"	8-3/4"	13"	8"	3/4"	3/8"	
5AXAB007AS3HAA	20X16X3R	27	TXV (NON BLEED)	21"	16"	8-3/4"	17"	8"	3/4"	3/8"	
5AXAB008AS3HAA	24X16X3R	32	TXV (NON BLEED)	25"	16"	8-3/4"	21"	8"	7/8"	3/8"	
5AXAB010AS3HAA	24X16X3R	32	TXV (NON BLEED)	25"	19-1/2"	10"	21"	9-3/4"	7/8"	3/8"	
5AXAC009AS3HAA	26X16X3R	35	TXV (NON BLEED)	27"	16"	8-3/4"	23"	8"	7/8"	3/8"	
5AXAC011AS3HAA	26X16X3R	35	TXV (NON BLEED)	27"	19-1/2"	10"	23"	9-3/4"	7/8"	3/8"	
5AXAD012AS3HAA	26X16X3R	35	TXV (NON BLEED)	27"	23"	13-1/2"	23"	11-1/2"	7/8"	3/8"	



Trane - by Trane Technologies (NYSE: TT), a global climate innovator - creates comfortable, energy efficient indoor environments for commercial and residential applications. For more information, please visit trane.com or tranetechnologies.com.



Intertek

Trane has a policy of continuous data improvement and it reserves the right to change design and specifications without notice. We are committed to using environmentally conscious print practices.