

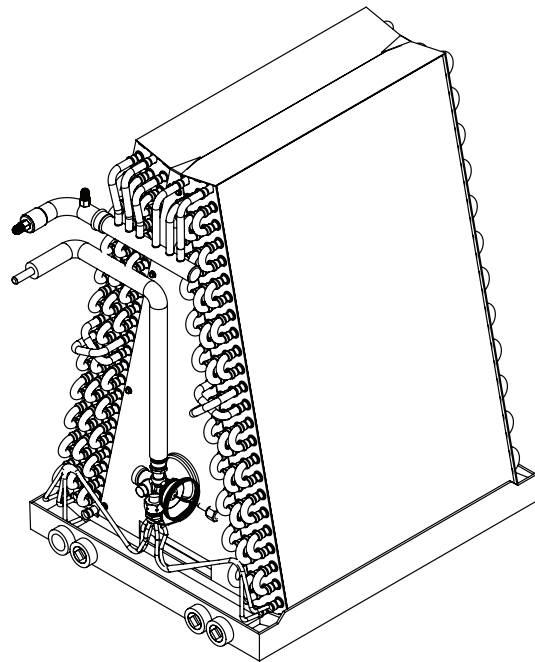


# Uncased Vertical Aluminum Upflow & Downflow Cooling/HP Coils 1-1/2 – 5 Ton

---

## 4AXA

Heat Pump / Cooling Coils for R-410A



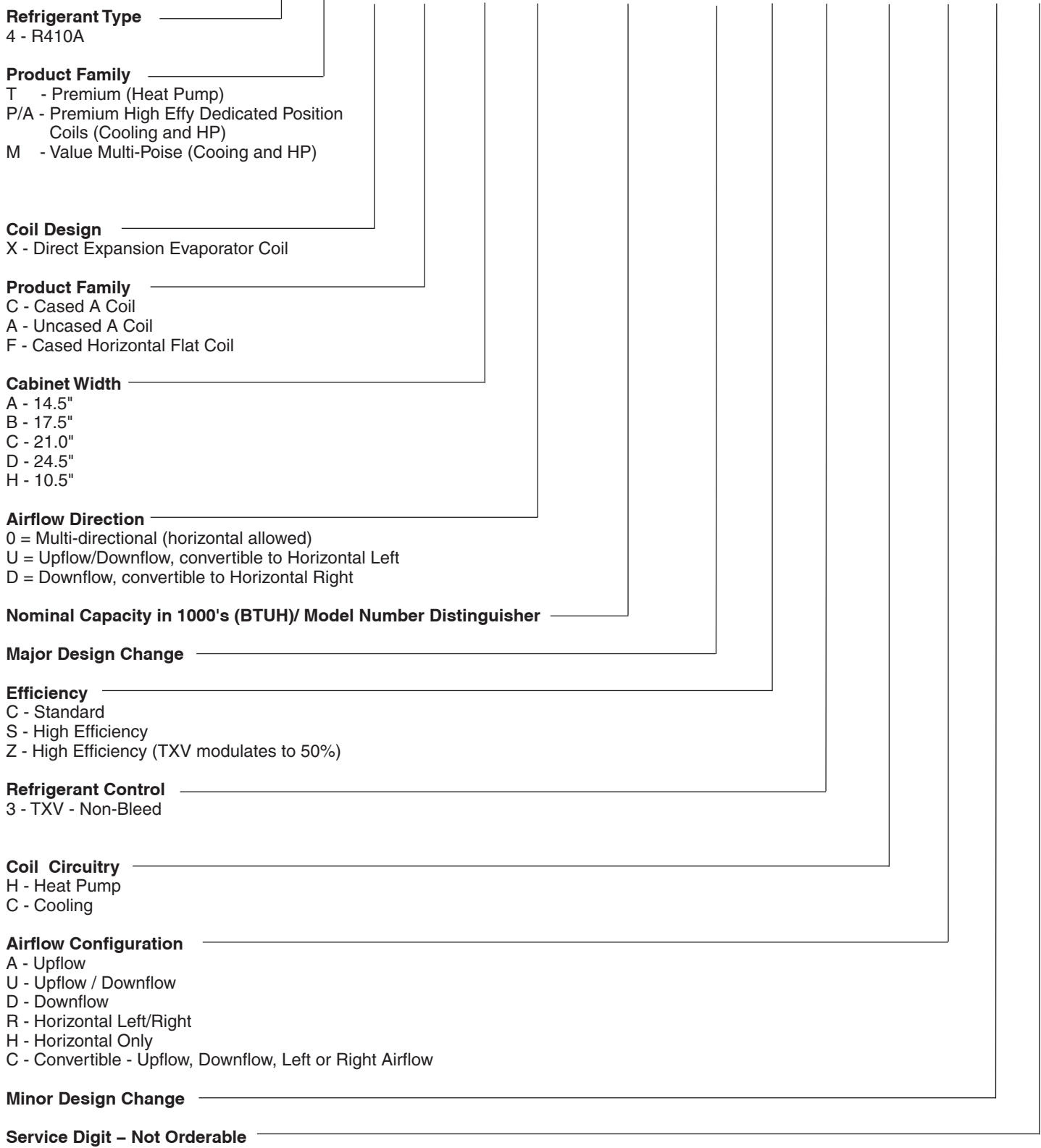
---

22-1983-1B-EN



# Aluminum Heat Pump Coil Nomenclature

4 A X A A 0 0 1 B S 3 H A A A





# General Data

## PRODUCT SPECIFICATIONS<sup>[1]</sup> -- 4AXA – SPLIT SYSTEM HEAT PUMP / COOLING UNCASED UPFLOW & DOWNFLOW COMFORT™ COILS

	4AXAA001BS3HAA	4AXAA003BS3HAA	4AXAB004BS3HAA	4AXAA005BS3HAA
<b>INDOOR COIL -- Type</b>	PLATE FIN	PLATE FIN	PLATE FIN	PLATE FIN
Rows / F.P.I.	2 / 14	3 / 14	3 / 14	3 / 14
Face Area (sq.ft.)	2.67	3.11	3.11	3.56
Tube Size	3/8"	3/8"	3/8"	3/8"
Refrigerant Control	Non-Bleed TXV	Non-Bleed TXV	Non-Bleed TXV	Non-Bleed TXV
Drain Conn. Size (in.)	3/4 NPT	3/4 NPT	3/4 NPT	3/4 NPT
Duct Connections	See Outline Drawing	See Outline Drawing	See Outline Drawing	See outline drawing
<b>REFRIGERANT CONNECTIONS</b>	R-410A BRAZED	R-410A BRAZED	R-410A BRAZED	R-410A BRAZED
Line Size -- Gas (in.)	3/4	3/4	3/4	3/4
Line Size -- Liquid (in.)	3/8	3/8	3/8	3/8
<b>DIMENSIONS (in.)</b>	<b>H X W X D</b>	<b>H X W X D</b>	<b>H X W X D</b>	<b>H X W X D</b>
Crated (H x W x D)	17-1/4 x 13-1/2 x 23-3/4	17-1/4 x 13-1/2 x 23-3/4	17-1/4 x 16-1/2 x 23-3/4	17-1/4 x 13-1/2 x 23-3/4
Uncrated	13 x 13 x 19-1/4	15 x 13 x 19-1/4	15 x 16 x 19-1/4	17 x 13 x 19-1/4
<b>WEIGHT (lbs)</b>				
Shipping -- Net	11	18	18	22
	4AXAB006BS3HAA	4AXAB007BS3HAA	4AXAC009BS3HAA	4AXAB010BS3HAA
<b>INDOOR COIL -- Type</b>	PLATE FIN	PLATE FIN	PLATE FIN	PLATE FIN
Rows / F.P.I.	3 / 14	3 / 14	3 / 14	3 / 14
Face Area (sq.ft.)	3.56	4.44	5.33	5.78
Tube Size	3/8"	3/8"	3/8"	3/8"
Refrigerant Control	Non-Bleed TXV	Non-Bleed TXV	Non-Bleed TXV	Non-Bleed TXV
Drain Conn. Size (in.)	3/4 NPT	3/4 NPT	3/4 NPT	3/4 NPT
Duct Connections	See outline drawing	See outline drawing	See outline drawing	See outline drawing
<b>REFRIGERANT CONNECTIONS</b>	R-410A BRAZED	R-410A BRAZED	R-410A, BRAZED	R-410A, BRAZED
Line Size -- Gas (in.)	3/4	7/8	7/8	7/8
Line Size -- Liquid (in.)	3/8	3/8	3/8	3/8
<b>DIMENSIONS (in.)</b>	<b>H X W X D</b>	<b>H X W X D</b>	<b>H X W X D</b>	<b>H X W X D</b>
Crated (H x W x D)	17-1/4 x 16-1/2 x 23-3/4	23-1/4 x 17-1/4 x 23-3/4	27-1/4 x 20 x 23-3/4	27-1/4 x 20 x 23-3/4
Uncrated	17 x 16 x 19-1/4	21 x 16 x 19-1/4	25 x 19-1/2 x 19-1/4	27 x 16 x 19-1/4
<b>WEIGHT (lbs)</b>				
Shipping -- Net	22	27	32	35

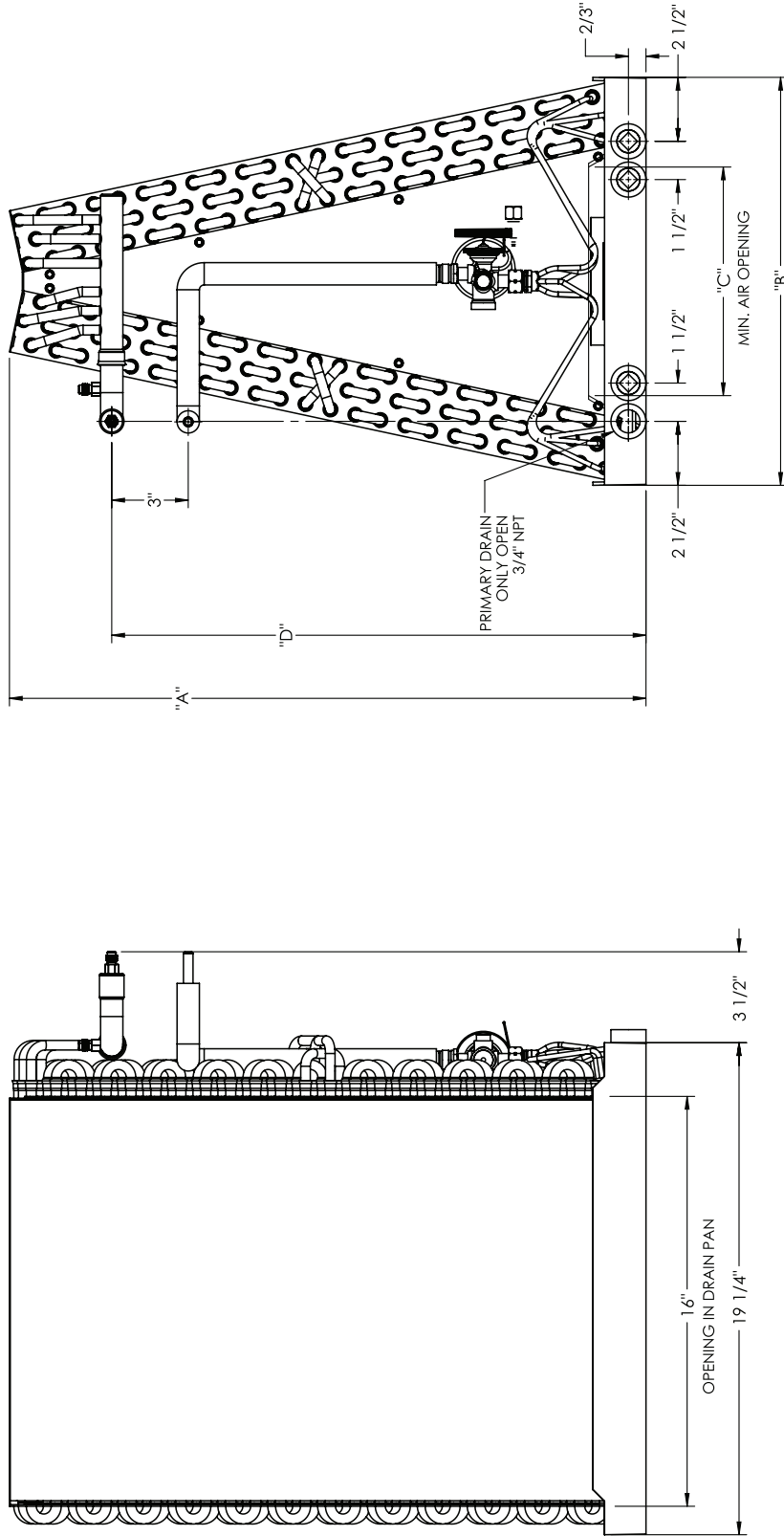
[1] These indoor coils are A.H.R.I. certified with various split system air conditioners and heat pumps (A.H.R.I. Standard 210/240). Refer to the Split System Outdoor product information site or [www.ahrinet.org](http://www.ahrinet.org)



# Performance Data

PRESSURE DROP CHARACTERISTICS FOR 4AXA COOLING AND HEAT PUMP COILS									
WET COIL STATIC PRESSURE DROP (INCHES OF WATER COLUMN) @ VARIOUS CFM									
MODEL	600	800	1000	1200	1400	1600	1800	2000	2200
4AXAA001BS3HAA	0.24	0.3	0.54						
4AXAA003BS3HAA 4AXAB004BS3HAA		0.22	0.3	0.44					
4AXAA005BS3HAA 4AXAB006BS3HAA			0.26	0.4	0.46				
4AXAB007BS3HAA			0.23	0.29	0.4				
4AXAC009BS3HAA					0.3	0.35	0.45		
4AXAB010BS3HAA					0.29	0.29	0.3	0.37	0.34

Outline Drawing for 4AXAA001BS3HAA, 4AXAA003BS3HAA, 4AXAB004BS3HAA, 4AXAA005BS3HAA, 4AXAB006BS3HAA, 4AXAB007BS3HAA, 4AXAC009BS3HAA, 4AXAB010BS3HAA (All dimensions are in inches)



NEW TRANE MODEL	COIL SIZE	SHIPPING WEIGHT (LBS)	REFRIGERANT CONTROL	COIL HEIGHT "A"	OVERALL WIDTH "B"	OPENING WIDTH "C"	GAS CONN. HEIGHT "D"	GAS CONNECTION	LIQUID CONNECTION	DRAIN PAN
4AXAA001BS3HAA	12X16X2R	11	TXV (NON BLEED)	13"	13"	5-3/4"	9"	3/4"	3/8"	High Temp Composite
4AXAA003BS3HAA	14X16X3R	18	TXV (NON BLEED)	15"	13"	5-3/4"	11"	3/4"	3/8"	High Temp Composite
4AXAB004BS3HAA	14X16X3R	18	TXV (NON BLEED)	15"	16"	8-3/4"	11"	3/4"	3/8"	High Temp Composite
4AXAA005BS3HAA	16X16X3R	22	TXV (NON BLEED)	17"	13"	5-3/4"	13"	3/4"	3/8"	High Temp Composite
4AXAB006BS3HAA	16X16X3R	22	TXV (NON BLEED)	17"	16"	8-3/4"	13"	3/4"	3/8"	High Temp Composite
4AXAB007BS3HAA	20X16X3R	27	TXV (NON BLEED)	21"	16"	8-3/4"	17"	3/4"	3/8"	High Temp Composite
4AXAC009BS3HAA	24X16X3R	32	TXV (NON BLEED)	25"	19-1/2"	10"	21"	7/8"	3/8"	High Temp Composite
4AXAB010BS3HAA	26X16X3R	35	TXV (NON BLEED)	27"	16"	8-3/4"	23"	7/8"	3/8"	High Temp Composite







Trane - by Trane Technologies (NYSE: TT), a global climate innovator - creates comfortable, energy efficient indoor environments for commercial and residential applications. For more information, please visit [trane.com](http://trane.com) or [tranetechnologies.com](http://tranetechnologies.com).

---



**Intertek**

Trane has a policy of continuous data improvement and it reserves the right to change design and specifications without notice. We are committed to using environmentally conscious print practices.