

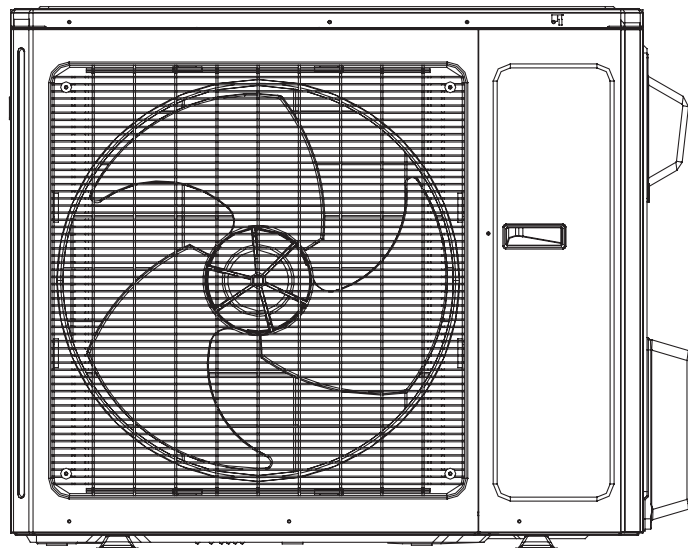
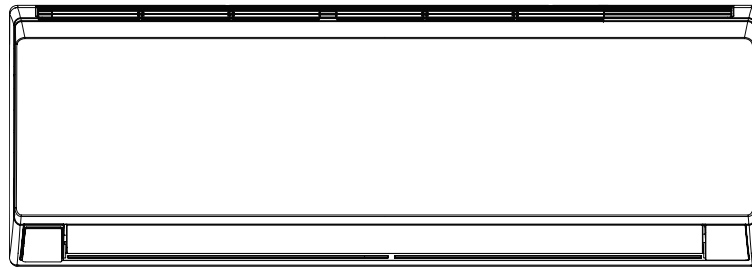


TRANE®

22-1967-1A-EN

Product Data

**Split System (R-410A, 60Hz)
17 Series, Inverter System
9,000 to 24,000 BTU/Hr**



Single Split	Indoor Unit	Outdoor Unit
Cooling Only	4MYW17	4TYK17
Heat Pump	4MXW17	4TXK17

It's Hard to Stop a Trane.

Split System (R-410A, 60Hz) 17 SEER, Inverter System - 9,000 to 24,000 BTU/Hr

Whatever their specific heating and cooling needs, people trust Trane to provide reliable efficient solutions. Trane Ductless Systems allow you to create a comfortable indoor environment in spaces where adding ductwork might be impractical or too expensive, or not as efficient as a ductless option.

Retrofit a house that doesn't have a ducted system or where the central system is already at capacity. Bring efficient, economical comfort to new room additions. Provide spot heating and cooling that operates independently of the central system. Utilize Ductless efficiency for new construction projects where ductless systems make more sense than a traditional ducted system.

Easy to install Trane Ductless Systems offer flexibility in design and provide efficiency and economy with two simple components - an outdoor unit and one or more stylish, low profile, indoor units. All built with Trane's legendary reliability and innovative thinking.

Introducing the new TRANE Split System Family



**4MYW17 and 4MXW17
Indoor Unit**

Energy Efficiency

Quickly reach the desired temperature without sacrificing your electricity bills with our higher EER/COP levels.

Robust Grille

Prevent damage without impacting airflow with our strong, hot-dip galvanized steel grille.

Intelligent Defrost

Auto defrosting is implemented if necessary. It improves the system's heating efficiency and helps you save power. (Standard on all heat pump models.)

Quiet Design

Specially designed air vent efficiently reduces operation noise, as low as 26 dB.

Turbo Function

High speed operation quickly reaches desired temperature.

Sleep Mode Function

Temperature rises/falls automatically to maintain room comfort and save energy while you sleep.

Blue Fin

Increase durability and ensure continued efficiency with our special anti-corrosion coil treatment. (Standard on all heat pump models.)

Twin Rotary DC Compressor

Provides better balance and higher efficiency.

Compressor Protection

Compressor stops or delays operation when there is mode conflict.

Auto Clean/Triple Filtration

Fan runs when unit is stopped to reduce moisture and inhibit the development of bacteria, and the triple filtration further cleans the air that you breathe.

Anti-Cold Design

To prevent blowing cold air directly to the room, air is pre-heated during heating operation.

Timer

Operate the unit automatically only when you want by setting the timer.



**4TYK17 and 4TXK17
Outdoor Unit**

Contents

Model Nomenclature 4

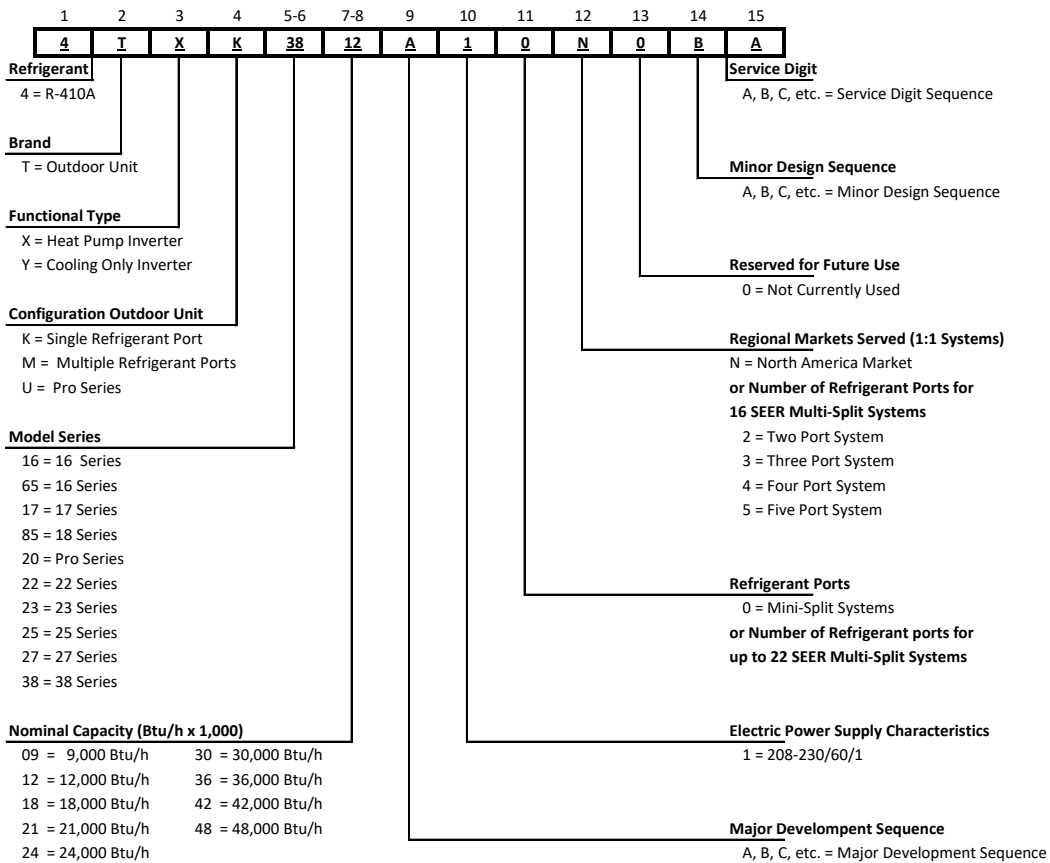
Optional Equipment 5

General Data 6-9

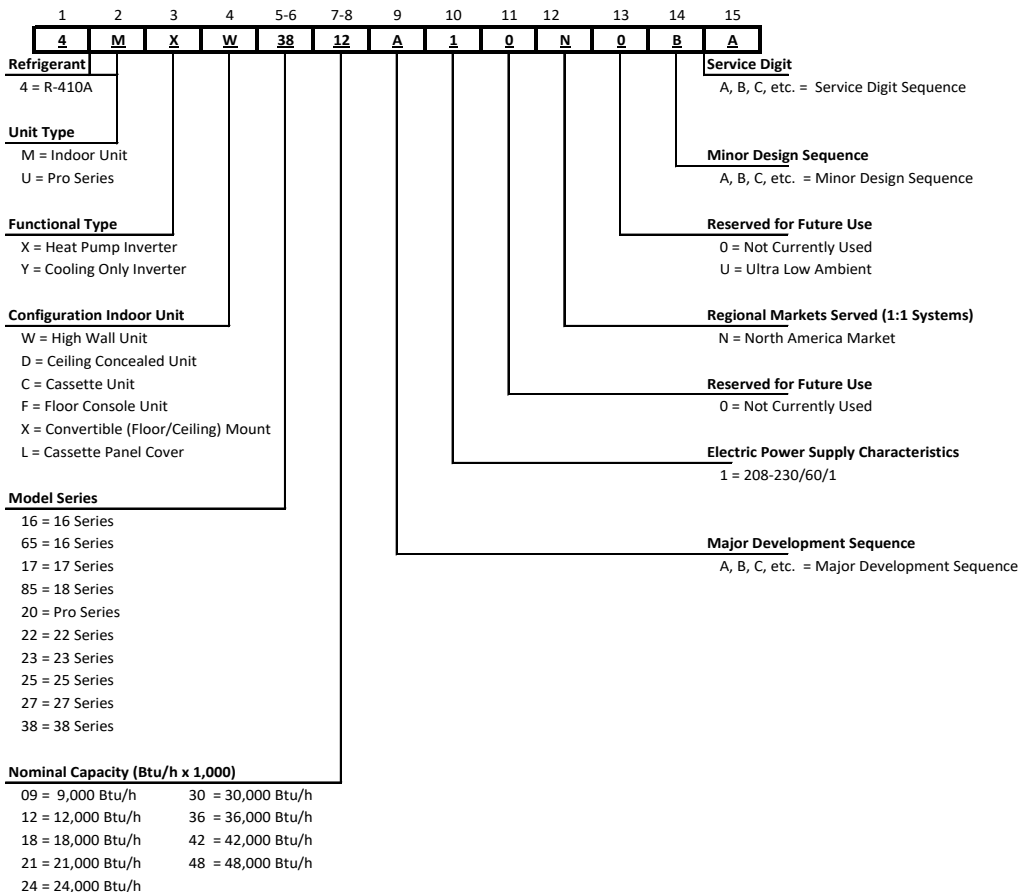
Performance Data 10-13

Mechanical Specifications 14

OUTDOOR UNIT MODEL NOMENCLATURE



INDOOR UNIT MODEL NOMENCLATURE



Optional Equipment

Optional outdoor unit accessories

Model Number	Description	4TXK17 Mini-Split HP 17 SEER	4TYK17 Mini-Split AC 17 SEER
TAYREFLN050	Lineset Kit 1/4x3/8 - 25'	✓	✓
TAYREFLN055	Lineset Kit 1/4x3/8 - 35'	✓	✓
TAYREFLN060	Lineset Kit 1/4x3/8 - 50'	✓	✓
TAYREFLN560	Lineset Kit 1/4x1/2 - 25'	✓	✓
TAYREFLN565	Lineset Kit 1/4x1/2 - 35'	✓	✓
TAYREFLN570	Lineset Kit 1/4x1/2 - 50'	✓	✓
TAYREFLN155	Lineset Kit 1/4x5/8 - 25'	✓	✓
TAYREFLN160	Lineset Kit 1/4x5/8 - 35'	✓	✓
TAYREFLN165	Lineset Kit 1/4x5/8 - 50'	✓	✓

Optional indoor unit accessories

Model Number	Description	4MXW17 Mini-Split Indoor 17 SEER	4MYW17 Mini-Split Indoor 17 SEER
BAYFTHW04P2A	Active Carbon & Catechin filter for 17 SEER units	✓	✓
TREMOTE2AHANDAA	Wireless controller	✓	✓
TREWIRE1AHANDAA	Wired controller	✓	✓

Application Area by Model	
Model	Application Area ft ² (m ²)
4MYW1709A	129 - 194 (12 - 18)
4MXW1709A	129 - 194 (12 - 18)
4MYW1712A	172 - 258 (16 - 24)
4MXW1712A	172 - 258 (16 - 24)
4MYW1718A	248 - 366 (23 - 34)
4MXW1718A	248 - 366 (23 - 34)
4MYW1724A	248 - 366 (23 - 34)
4MXW1724A	248 - 366 (23 - 34)

General Data

MODEL - Cooling Only	4MYW1709A10N0 / 4TYK1709A10N0	4MYW1712A10N0 / 4TYK1712A10N0
RATED Volts/PH	208 / 230 / 1	208 / 230 / 1
Frequency (Hz)	60Hz	60Hz
Rated Cooling Capacity (Btu/h):	9000	11700
Minimum Cooling Capacity (@95F) (Btu/h):	1535	2388.4
Maximum Cooling Capacity (@95F) (Btu/h):	10577	13307
Total Capacity (W) (High/Standard/Low):	3100 / 2638 / 450	3700 / 3430 / 700
Rated Power Input (W)	1080	1500
Nominal Input Current (A)	5.9	6.6
SEER	17.2	17.0
Air Flow Volume (CFM) ①	329.6 / 294.3 / 276.6 / 253 / 223.6 / 194.21 / 176.6	371 / 294 / 262 / 235 / 218 / 201 / 182
Dehumidifying Volume (pt./h)	1.69	2.96
EER (@95F)	10.7	9.25

Indoor Unit	4MYW1709A10N0	4MYW1712A10N0
Fan Motor Speed (r/min)	1300 / 1200 / 1120 / 1050 / 920 / 860 / 800	1350 / 1200 / 1120 / 1050 / 980 / 920 / 850
Fan Motor RLA(A)	0.28	0.31
Evaporator	Aluminum Fin-Copper Tube	Aluminum Fin-Copper Tube
Pipe Diameter (inch)	1/5	1/5
Row Fin Gap (inch)	2 - 1/18	2 - 1/18
Coil length (L) x depth (D) x coil width (W) (inch)	23 x 7/8 x 10 1/2	25 x 0.9 x 12
Output of Swing Motor (W)	1.5	1.5
Fuse (A)	3.15	3.15
Sound Power Level dB (A) ①	50 / 47 / 45 / 43 / 39 / 37 / 36	55 / 52 / 49 / 47 / 45 / 41 / 40
Sound PRESSURE Level dB (A) ①②	40 / 37 / 35 / 33 / 29 / 27 / 26	45 / 42 / 39 / 37 / 35 / 31 / 30
Uncrated Dimension (W/H/D) (inch)	31 1/9 x 10 5/6 x 7 7/8	33 1/4 x 11 3/8 x 8 2/9
Crated Dimension of Package (L/W/H) (inch)	33 35/64 x 13 62/64 x 10 48/64	35 40/64 x 14 29/64 x 11 9/64
Net Weight /Gross Weight (lbs)	19.8 / 24.3	22 / 26.5

Outdoor Unit	4TYK1709A10N0	4TYK1712A10N0
Compressor Type	Rotary	Rotary
Compressor Oil	ZE-GLES RB68GX or equivalent	FW68DA or equivalent
L.R.A. (A)	/	/
Compressor RLA(A)	4.7	6.80
Compressor Power Input(W)	756.6	857
Throttling Method	Capillary	Capillary
Working Temp Range (°F)	0 ~ 115	0 ~ 115
Condenser	Aluminum Fin-Copper Tube	Aluminum Fin-Copper Tube
Pipe Diameter (inch)	1/5	1/5
Row Fin Gap (inch)	1 - 3/64	1 - 3/64
Coil length (L) x depth (H) x coil width (W) (inch)	26.57 x 0.45 x 20.25	26.57 x 0.45 x 20.25
Fan Motor Speed (rpm)	850	900
Output of Fan Motor (W)	30	30
Fan Motor RLA (A)	0.4	0.4
Air Flow Volume of Outdoor Unit (CFM)	1950	1950
Fan Diameter (inch)	15 3/4	15 3/4
Defrosting Method	Automatic Defrosting	Automatic Defrosting
Sound Power Level dB (A)	60	61
Sound PRESSURE Level dB (A) ②	50	51
Uncrated Dimension (W/H/D) (inch)	28 52/64 x 21 54/64 x 12 63/64	28.81 x 21.66 x 12.98
Crated Dimension of Package (L/W/H) (inch)	31 9/64 x 14 44/64 x 23 15/64	31.14 x 14.69 x 23.23
Net Weight /Gross Weight (lbs)	50.7 / 56.2	50.7 / 56.2
Refrigerant Charge (oz)	18.0	19.4
MCA	9.0	10.0
MOP	15.0	15.0

Connection Pipe		
Gas additional charge(oz/ft)	0.2	0.2
Outer Diameter Liquid Pipe (inch)	1/4	1/4
Outer Diameter Gas Pipe (inch)	3/8	3/8
Max Height Distance (ft)	32.8	32.8
Max Length Distance (ft)	49.2	65.6

① At noted fan motor speeds

② Sound PRESSURE Level @ 3.3 ft. dB(A)

General Data

MODEL - Cooling Only	4MYW1718A10N0 / 4TYK1718A10N0	4MYW1724A10N0 / 4TYK1724A10N0
RATED Volts/PH	208 / 230 / 1	208 / 230 / 1
Frequency (Hz)	60Hz	60Hz
Rated Cooling Capacity (Btu/h):	17100	22000
Minimum Cooling Capacity (@95F) (Btu/h):	3753	5289
Maximum Cooling Capacity (@95F) (Btu/h):	17913	25249
Total Capacity (W) (High/Standard/Low):	5250 / 5012 / 1100	7400 / 6450 / 1550
Rated Power Input (W)	2300	2500
Nominal Input Current (A)	9.5	12.0
SEER	17.0	18.0
Air Flow Volume (CFM) ①	471 / 436 / 406 / 374 / 335.4 / 312 / 276.6	677 / 588 / 559 / 500 / 471 / 441 / 412
Dehumidifying Volume (pt./h)	3.8	5.3
EER (@95F)	9.35	11.6

Indoor Unit	4MYW1718A10N0	4MYW1724A10N0
Fan Motor Speed (r/min)	1350 / 1280 / 1200 / 1130 / 1050 / 980 / 900	1300 / 1150 / 1100 / 1000 / 950 / 900 / 850
Fan Motor RLA(A)	0.30	0.30
Evaporator	Aluminum Fin-Copper Tube	Aluminum Fin-Copper Tube
Pipe Diameter (inch)	2/7	2/7
Row Fin Gap (inch)	2 - 1/18	2 - 1/18
Coil length (L) x depth (D) x coil width (W) (inch)	28 1/7 x 1 x 12	33.46 x 1 x 13.5
Output of Swing Motor (W)	2.5	2.5
Fuse (A)	3.15	3.15
Sound Power Level dB (A) ①	57 / 55 / 53 / 51 / 49 / 47 / 44	61 / 56 / 55 / 52 / 50 / 48 / 47
Sound PRESSURE Level dB (A) ①②	47 / 45 / 43 / 41 / 39 / 37 / 34	51 / 46 / 45 / 42 / 40 / 38 / 37
Uncrated Dimension (W/H/D) (inch)	38 1/5 x 11 4/5 x 8 5/6	42 28/64 x 12 51/64 x 9 44/64
Crated Dimension of Package (L/W/H) (inch)	40 23/64 x 14 56/64 x 11 62/64	44 29/64 x 16 4/64 x 13 22/64
Net Weight /Gross Weight (lbs)	29.8 / 35.3	36.4 / 43.0

Outdoor Unit	4TYK1718A10N0	4TYK1724A10N0
Compressor Type	Rotary	Rotary
Compressor Oil	FW68DA or equivalent	FW68DA or equivalent
L.R.A. (A)	17.0	35
Compressor RLA(A)	8.6	10.6
Compressor Power Input(W)	1000	1330
Throttling Method	Capillary	Capillary
Working Temp Range (°F)	0 ~ 115	0 ~ 115
Condenser	Aluminum Fin-Copper Tube	Aluminum Fin-Copper Tube
Pipe Diameter (inch)	2/7	1/5
Row Fin Gap (inch)	2 - 1/18	2 - 1/18
Coil length (L) x depth (D) x coil width (W) (inch)	30.71 x 0.91 x 20.24	33.66 x 0.90 x 24
Fan Motor Speed (rpm)	900	880
Output of Fan Motor (W)	30	60
Fan Motor RLA (A)	0.5	0.6
Air Flow Volume of Outdoor Unit (CFM)	2000	3200
Fan Diameter (inch)	16.54	20 1/2
Defrosting Method	Automatic Defrosting	Automatic Defrosting
Sound Power Level dB (A)	64	68
Sound PRESSURE Level dB (A) ②	54	58
Uncrated Dimension (W/H/D) (inch)	31 37/64 x 21 54/64 x 13 50/64	37 46/64 x 25 63/64 x 15 53/64
Crated Dimension of Package (L/W/H) (inch)	34 14/64 x 15 35/64 x 23 25/64	40 33/64 x 17 53/64 x 28 10/64
Net Weight /Gross Weight (lbs)	67.3 / 72.8	89.3 / 99.2
Refrigerant Charge (oz)	35.3	42.3
MCA	12.0	15.0
MOP	20.0	20.0

Connection Pipe		
Gas additional charge(oz/ft)	0.2	0.2
Outer Diameter Liquid Pipe (inch)	1/4	1/4
Outer Diameter Gas Pipe (inch)	1/2	5/8
Max Height Distance (ft)	32.8	32.8
Max Length Distance (ft)	82	82

① At noted fan motor speeds

② Sound PRESSURE Level @ 3.3 ft. dB(A)

General Data

MODEL - Heat Pump Only	4MXW1709A10N0 / 4TXK1709A10N0		4MXW1712A10N0 / 4TXK1712A10N0	
	Cooling	Heating	Cooling	Heating
RATED Volts/PH	208 / 230 / 1		208 / 230 / 1	
Frequency (Hz)	60Hz		60Hz	
Rated Cooling / Heating Capacity (Btu/h):	9000	9400	11700	12000
Minimum Cooling Capacity (@95F) (Btu/h):	2150	-	2388.4	-
Maximum Cooling Capacity (@95F) (Btu/h):	10236	-	13307	-
Minimum Heating Capacity (@47F) (Btu/h):	-	2218	-	2388.4
Maximum Heating Capacity (@47F) (Btu/h):	-	11500	-	13307
Maximum Heating Capacity (@17F) (Btu/h):	-	/	-	/
Total Capacity (W) (High/Standard/Low):	3000 / 2638 / 630	3370 / 2755 / 650	3700 / 3430 / 700	4000 / 3517 / 700
Rated Power Input (W)	879	787	1314	1082
Nominal Input Current (A)	5.3	5.9	6.6	7.4
SEER / HSPF	18.00	9.2	16.5	9.0
Air Flow Volume (CFM) ①	329.6 / 294.3 / 276.6 / 253 / 223.6 / 194.21 / 176.6		371 / 294 / 262 / 235 / 218 / 201 / 182	
Dehumidifying Volume (pt./h)	1.69		2.96	
EER (@95F)	10.24	11.94	8.9	11.1

Indoor Unit	4MXW1709A10N0		4MXW1712A10N0	
Fan Motor Speed (r/min)	1300/1200/1120/1050/ 920/860/800	1300/1200/1120/1050/ 1000/950/900	1350/1200/1120/1050/ 980/920/850	1300/1200/1140/1080/ 1020/960/900
Fan Motor RLA(A)	0.22		0.31	
Evaporator	Aluminum Fin-Copper Tube		Aluminum Fin-Copper Tube	
Pipe Diameter (inch)	1/5		1/5	
Row Fin Gap (inch)	2 - 1/18		2 - 1/18	
Coil length (L) x depth (D) x coil width (W) (inch)	23 x 0.9 x 10.5		25 x 0.9 x 12	
Output of Swing Motor (W)	1.5		1.5	
Fuse (A)	3.15		3.15	
Sound Power Level dB (A) ①	50 / 47 / 45 / 43 / 40 / 37 / 36		55 / 52 / 49 / 47 / 45 / 41 / 40	
Sound PRESSURE Level dB (A) ① ②	40 / 37 / 35 / 33 / 30 / 27 / 26		45 / 42 / 39 / 37 / 35 / 31 / 30	
Uncrated Dimension (W/H/D) (inch)	31 7/64 x 10 53/64 x 7 56/64		33.266 x 11.375 x 8.234	
Crated Dimension of Package (L/W/H) (inch)	33 35/64 x 13 62/64 x 10 48/64		35 40/64 x 14 29/64 x 11 9/64	
Net Weight /Gross Weight (lbs)	19.8 / 24.3		22.0 / 26.5	

Outdoor Unit	4TXK1709A10N0		4TXK1712A10N0	
Compressor Type	Rotary		Rotary	
Compressor Oil	ZE-GLES RB68GX or equivalent		FW68DA or equivalent	
L.R.A. (A)	/		/	
Compressor RLA(A)	5.9		6.80	
Compressor Power Input(W)	730.2		857	
Throttling Method	Capillary		Capillary	
Working Temp Range (°F)	0 ~ 115	-4 ~ 75	0 ~ 115	-4 ~ 75
Condenser	Aluminum Fin-Copper Tube		Aluminum Fin-Copper Tube	
Pipe Diameter (inch)	2/7		2/7	
Row Fin Gap (inch)	1 - 1/18		1 - 1/18	
Coil length (l) x depth (D) x coil width (W) (inch)	26.22 x 0.75 x 20.79		26.22 x 0.75 x 20.79	
Fan Motor Speed (rpm)	850		900	
Output of Fan Motor (W)	30		30	
Fan Motor RLA (A)	0.4		0.4	
Air Flow Volume of Outdoor Unit (CFM)	1950		1950	
Fan Diameter (inch)	15 3/4		15 3/4	
Defrosting Method	Automatic Defrosting		Automatic Defrosting	
Sound Power Level dB (A)	62		62	
Sound PRESSURE Level dB (A) ②	52		52	
Uncrated Dimension (W/H/D) (inch)	28 52/64 x 21 54/64 x 12 63/64		28.812 x 21.656 x 12.984	
Crated Dimension of Package (W/L/H) (inch)	31 9/64 x 14 44/64 x 23 15/64		31.141 x 14.688 x 23 15/64	
Net Weight /Gross Weight (lbs)	56.2 / 61.7		56.2 / 61.7	
Refrigerant Charge (oz)	24.3		27.5	
MCA	9.0		10.0	
MOP	15.0		15.0	

Connection Pipe		
Gas additional charge(oz/ft)	0.2	0.2
Outer Diameter Liquid Pipe (inch)	1/4	1/4
Outer Diameter Gas Pipe (inch)	3/8	3/8
Max Height Distance (ft)	32.8	32.8
Max Length Distance (ft)	49.2	65.6

① At noted fan motor speeds

② Sound PRESSURE Level @ 3.3 ft. dB(A)

General Data

MODEL - Heat Pump Only	4MXW1718A10N0 / 4TXK1718A10N0		4MXW1724A10N0 / 4TXK1724A10N0	
	Cooling	Heating	Cooling	Heating
RATED Volts/PH	208 / 230 / 1		208 / 230 / 1	
Frequency (Hz)	60Hz		60Hz	
Rated Cooling / Heating Capacity (Btu/h):	17400	19100	22000	24000
Minimum Cooling Capacity (@95F) (Btu/h):	3753	-	6824	-
Maximum Cooling Capacity (@95F) (Btu/h):	19278	-	25249	-
Minimum Heating Capacity (@47F) (Btu/h):	-	4100	-	5630
Maximum Heating Capacity (@47F) (Btu/h):	-	22519	-	26614
Maximum Heating Capacity (@17F) (Btu/h):	-	/	-	/
Total Capacity (W) (High/Standard/Low):	5650 / 5100 / 1100	6600 / 5598 / 1200	7400 / 6450 / 2000	7800 / 7034 / 1650
Rated Power Input (W)	1820	1866	1896	2051
Nominal Input Current (A)	8.1	8.2	11.0	12.0
SEER / HSPF	16.5	9.0	18.0	10.0
Air Flow Volume (CFM) ①	471 / 436 / 406 / 374 / 335.4 / 311.9 / 276.6		677 / 588 / 559 / 500 / 471 / 441 / 412	
Dehumidifying Volume (pt./h)	3.8		5.28	
EER / COP (@95F)	9.55	10.24	11.3	11.7

Indoor Unit	4MXW1718A10N0		4MXW1724A10N0	
	Fan Motor Speed (r/min)	1350/1280/1200/1130/ 1050/980/900	1350/1280/1200/1130/ 1050/980/900	1300/1150/1100/1000/ 950/900/850
Fan Motor RLA(A)	0.30		0.30	
Evaporator	Aluminum Fin-Copper Tube		Aluminum Fin-Copper Tube	
Pipe Diameter (inch)	2/7		2/7	
Row Fin Gap (inch)	2 - 1/18		2 - 1/18	
Coil length (L) x depth (D) x coil width (W) (inch)	28 1/7 x 1 x 12		33.46 x 1 x 13.5	
Output of Swing Motor (W)	2.5		2.5	
Fuse (A)	3.15		3.15	
Sound Power Level dB (A) ①	57 / 55 / 52 / 51 / 49 / 47 / 44		61 / 56 / 55 / 52 / 50 / 48 / 47	
Sound PRESSURE Level dB (A) ①②	47 / 45 / 42 / 41 / 39 / 37 / 34		51 / 46 / 45 / 42 / 40 / 38 / 37	
Uncrated Dimension (W/H/D) (inch)	38 12/64 x 11 52/64 x 8 55/64		42 28/64 x 12 51/64 x 9 44/64	
Crated Dimension of Package (L/W/H) (inch)	40 23/64 x 14 56/64 x 11 62/64		44 29/64 x 16 4/64 x 13 22/64	
Net Weight /Gross Weight (lbs)	29.8 / 35.3		36.4 / 43.0	

Outdoor Unit	4TXK1718A10N0		4TXK1724A10N0	
	Compressor Type	Rotary		Rotary
Compressor Oil	FW68DA or equivalent		FW68DA or equivalent	
L.R.A. (A)	25.0		35.0	
Compressor RLA(A)	9.35		10.45	
Compressor Power Input(W)	1295		1330	
Throttling Method	Capillary		Electron expansion valve	
Working Temp Range (°F)	0 ~ 115	-4 ~ 75	0 ~ 115	-4 ~ 75
Condenser	Aluminum Fin-Copper Tube		Aluminum Fin-Copper Tube	
Pipe Diameter (inch)	2/7		2/7	
Row Fin Gap (inch)	2 - 1/18		2 - 1/18	
Coil length (L) x depth (D) x coil width (W) (inch)	30.71x0.91x20.24		33.03x1.50x24.25	
Fan Motor Speed (rpm)	900		880	
Output of Fan Motor (W)	30		60	
Fan Motor RLA (A)	0.5		0.6	
Air Flow Volume of Outdoor Unit (CFM)	2000		3200	
Fan Diameter (inch)	16.54		20.5	
Defrosting Method	Automatic Defrosting		Automatic Defrosting	
Sound Power Level dB (A)	67		67	
Sound PRESSURE Level dB (A) ②	57		57	
Uncrated Dimension (W/H/D) (inch)	31 37/64 x 21 54/64 x 13 50/64		37 46/64 x 25 63/64 x 15 53/64	
Crated Dimension of Package (L/W/H) (inch)	34 14/64 x 15 35/64 x 23 25/64		40 33/64 x 17 53/64 x 28 10/64	
Net Weight /Gross Weight (lbs)	69.5 / 74.97		97.0 / 106.9	
Refrigerant Charge (oz)	42.4		52.9	
MCA	14.0		15.0	
MOP	20.0		20.0	

Connection Pipe	
Gas additional charge(oz/ft)	0.2
Outer Diameter Liquid Pipe (inch)	1/4
Outer Diameter Gas Pipe (inch)	1/2
Max Height Distance (ft)	32.8
Max Length Distance (ft)	82

① At noted fan motor speeds

② Sound PRESSURE Level @ 3.3 ft. dB(A)

Performance Data

4TXK1709A10N/4MXW1709A10N and 4TYK1709A10N/4MYW1709A10N - Cooling Mode Performance Data

Outdoor		68F DB (20C)		73F DB (23C)		80F DB (27C)		82F DB (28C)	
Coil air		57F WB (14C)		61F WB (16C)		67F WB (19C)		68F WB (20C)	
DB F	DB C	TC*	SHC**	TC	SHC	TC	SHC	TC	SHC
0	-18	3100	2200	3800	2700	4500	3300	4600	3400
5	-15	3500	2600	4200	3100	5000	3600	5000	3700
14	-10	4000	2900	4700	3400	5400	4000	5500	4100
23	-5	4100	3100	4900	3600	5600	4100	5700	4300
32	0	4300	3200	5000	3800	5800	4300	5900	4400
41	5	4900	3600	5600	4200	6300	4700	6400	4900
50	10	5400	4100	6100	4600	6800	5200	7000	5300
59	15	5800	4400	6500	4900	7200	5500	7300	5600
68	20	6000	4600	6800	5200	7500	5700	7600	5900
77	25	7600	5800	8300	6400	9000	6900	9200	7100
86	30	8400	6500	9100	7000	9800	7600	10000	7800
95	35	7600	5900	8300	6500	9000	7000	9200	7200
104	40	6700	5200	7400	5800	8100	6400	8300	6500
113	45	6100	4800	6800	5400	7600	6000	7700	6200
122	50	5200	4100	5900	4700	6700	5300	6800	5500
129	54	4000	3200	4700	3700	5400	4300	5500	4400

*Total Capacity **Sensible Heat Capacity

4TXK1709A10N/4MXW1709A10N - Heating Mode Performance Data

Outdoor		68F DB (20C)		73F DB (23C)		80F DB (27C)		82F DB (28C)	
Coil air		57F WB (14C)		61F WB (16C)		67F WB (19C)		68F WB (20C)	
DB F	DB C	TC*	TC	TC	TC	TC	TC	TC	TC
-13	-25	3900	3700	3700	3600	3600	3500	3500	3500
-4	-20	4300	4200	4200	4000	4000	3900	3900	3900
0	-18	5000	4800	4800	4700	4700	4600	4600	4600
6	-14	5300	5100	5100	4900	4900	4800	4800	4800
10	-12	5500	5300	5300	5100	5100	5000	5000	5000
16	-9	6100	5900	5900	5700	5700	5600	5600	5600
19	-7	6400	6200	6200	6000	6000	5900	5900	5900
24	-4	7300	7100	7100	6900	6900	6700	6700	6700
32	0	8100	7800	7800	7600	7600	7400	7400	7400
41	5	8700	8500	8500	8200	8200	8000	8000	8000
43	6	9000	8800	8800	8500	8500	8300	8300	8300
47	8	9200	8900	8900	8700	8700	8500	8500	8500
53	12	9300	9000	9000	8700	8700	8600	8600	8600
59	15	9400	9100	9100	8800	8800	8600	8600	8600
64	18	9700	9400	9400	9100	9100	8900	8900	8900
70	21	10000	9700	9700	9400	9400	9200	9200	9200
75	24	10200	9900	9900	9600	9600	9400	9400	9400
78	26	10600	10300	10300	10000	10000	9800	9800	9800

*Total Capacity

Capacities in these performance tables reflect normal operation at the temperatures indicated. See specification tables above for certified values under prescribed test conditions.

Performance Data

4TXK1712A10N/4MXW1712A10N and 4TYK1712A10N/4MYW1712A10N - Cooling Mode Performance Data

Outdoor		68F DB (20C)		73F DB (23C)		80F DB (27C)		82F DB (28C)	
Coil air		57F WB (14C)		61F WB (16C)		67F WB (19C)		68F WB (20C)	
DB F	DB C	TC*	SHC**	TC	SHC	TC	SHC	TC	SHC
0	-18	4300	3100	5300	3800	6300	4600	6600	4700
5	-15	4900	3600	5900	4300	6900	5100	7200	5300
14	-10	5500	4100	6600	4800	7600	5600	7900	5800
23	-5	5800	4300	6800	5000	7800	5800	8100	6000
32	-0	6100	4500	7100	5300	8100	6000	8400	6200
41	5	6800	5100	7800	5900	8800	6600	9200	6900
50	10	7600	5700	8600	6500	9600	7200	10000	7500
59	15	8100	6100	9100	6900	10100	7700	10500	8000
68	20	8500	6500	9500	7200	10500	8000	10900	8300
77	25	10600	8200	11600	8900	12600	9700	13100	10100
86	30	11700	9100	12700	9900	13700	10700	14300	11100
95	35	10600	8300	11600	9100	12600	9800	13100	10200
104	40	9300	7300	10300	8100	11400	8900	11800	9300
113	45	8600	6800	9600	7600	10600	8400	11000	8700
122	50	7300	5800	8300	6600	9300	7400	9700	7700
129	54	5500	4400	6600	5200	7600	6100	7900	6300

*Total Capacity **Sensible Heat Capacity

4TXK1712A10N/4MXW1712A10N - Heating Mode Performance Data

Outdoor		68F DB (20C)		73F DB (23C)		80F DB (27C)		82F DB (28C)	
Coil air		57F WB (14C)		61F WB (16C)		67F WB (19C)		68F WB (20C)	
DB F	DB C	TC*	TC	TC	TC	TC	TC	TC	TC
-13	-25	6100	5900	5700	5500				
-4	-20	6800	6600	6400	6200				
0	-18	7800	7600	7400	7100				
6	-14	8200	8000	7800	7500				
10	-12	8500	8300	8100	7800				
16	-9	9400	9200	9000	8700				
19	-7	9900	9700	9400	9100				
24	-4	11200	11000	10700	10400				
32	0	12400	12100	11800	11500				
41	5	13300	13100	12700	12400				
43	6	14300	14100	13700	13400				
47	8	14000	13800	13200	13200				
53	12	13500	13300	12800	12700				
59	15	13100	12900	12500	12400				
64	18	12500	12300	12200	11700				
70	21	11700	11600	11500	11100				
75	24	11100	10900	10800	10400				
78	26	10700	10500	10300	9900				

*Total Capacity

Capacities in these performance tables reflect normal operation at the temperatures indicated. See specification tables above for certified values under prescribed test conditions.

Performance Data

4TXK1718A10N/4MXW1718A10N and 4TYK1718A10N/4MYW1718A10N - Cooling Mode Performance Data

Outdoor		68F DB (20C)		73F DB (23C)		80F DB (27C)		82F DB (28C)	
Coil air		57F WB (14C)		61F WB (16C)		67F WB (19C)		68F WB (20C)	
DB F	DB C	TC*	SHC**	TC	SHC	TC	SHC	TC	SHC
0	-18	9900	7700	10200	7900	10600	8300	10800	8400
5	-15	10400	8100	10700	8300	11100	8700	11400	8900
14	-10	10800	8400	11100	8700	11600	9000	11800	9200
23	-5	11300	8800	11600	9000	12100	9400	12300	9600
32	-0	11700	8900	12100	9200	12600	9600	12800	9800
41	5	12200	9300	12600	9600	13100	10000	13400	10200
50	10	12700	9700	13100	10000	13700	10400	13900	10600
59	15	13100	9700	13500	10000	14100	10400	14400	10600
68	20	16400	12100	16900	12500	17600	13000	17900	13300
77	25	17100	12600	17600	13000	18300	13600	18700	13800
86	30	17600	12500	18100	12900	18900	13400	19300	13700
95	35	18000	12700	18500	13100	19300	13700	19700	13900
104	40	17200	12300	17800	12700	18500	13300	18900	13500
113	45	14700	10800	15200	11200	15800	11600	16100	11900
122	50	10300	7600	10600	7800	11100	8100	11300	8300
129	54	9300	6800	9600	7000	10000	7300	10200	7500

*Total Capacity **Sensible Heat Capacity

4TXK1718A10N/4MXW1718A10N - Heating Mode Performance Data

Outdoor		68F DB (20C)		73F DB (23C)		80F DB (27C)		82F DB (28C)	
Coil air		57F WB (14C)		61F WB (16C)		67F WB (19C)		68F WB (20C)	
DB F	DB C	TC*	TC	TC	TC	TC	TC	TC	TC
-13	-25	6000	5800	5500	5400				
-4	-20	9900	9600	9100	8800				
0	-18	11300	11000	10300	10000				
6	-14	11800	11400	10700	10400				
10	-12	13200	12800	12000	11600				
16	-9	14500	14000	13200	12800				
19	-7	15200	14800	13900	13500				
24	-4	17200	16700	15700	15200				
32	0	19100	18600	17500	16900				
41	5	21200	20600	19400	18800				
43	6	21800	21000	19800	19200				
47	8	22400	21800	20400	19800				
53	12	19000	18500	17300	16800				
59	15	18600	18100	17000	16500				
64	18	15800	15400	14400	14000				
70	21	12700	12300	11600	11200				
75	24	10100	9800	9200	9000				
78	26	8100	7900	7400	7200				

*Total Capacity

Capacities in these performance tables reflect normal operation at the temperatures indicated. See specification tables above for certified values under prescribed test conditions.

Performance Data

4TXK1724A10N/4MXW1724A10N and 4TYK1724A10N/4MYW1724A10N - Cooling Mode Performance Data

Outdoor		68F DB (20C)		73F DB (23C)		80F DB (27C)		82F DB (28C)	
Coil air		57F WB (14C)		61F WB (16C)		67F WB (19C)		68F WB (20C)	
DB F	DB C	TC*	SHC**	TC	SHC	TC	SHC	TC	SHC
0	-18	7200	5200	9100	6600	11100	8100	12400	9000
5	-15	9400	6900	11400	8300	13300	9700	13800	10100
14	-10	10600	7800	12600	9300	14600	10700	15100	11100
23	-5	11100	8200	13100	9700	15100	11100	15800	11700
32	-0	11600	8600	13600	10100	15600	11600	16500	12300
41	5	13100	9800	15100	11300	17000	12800	17800	13300
50	10	14600	11000	16500	12500	18500	14000	19300	14500
59	15	15600	11800	17500	13300	19500	14800	19800	15000
68	20	16300	12500	18300	14000	20200	15500	20600	15700
77	25	20800	16000	22800	17500	24800	19000	25000	19200
86	30	22400	17400	24400	19000	26400	20400	25400	19700
95	35	20800	16200	22800	17700	24800	19300	26200	20400
104	40	18000	14200	20000	15700	22000	17300	24400	19200
113	45	16500	13100	18500	14600	20600	16200	22400	17800
122	50	14100	11200	16100	12800	18000	14300	20000	15900
129	54	10600	8500	12600	10100	14600	11700	19300	15400

*Total Capacity **Sensible Heat Capacity

4TXK1724A10N/4MXW1724A10N - Heating Mode Performance Data

Outdoor		68F DB (20C)		73F DB (23C)		80F DB (27C)		82F DB (28C)	
Coil air		57F WB (14C)		61F WB (16C)		67F WB (19C)		68F WB (20C)	
DB F	DB C	TC*	TC	TC	TC	TC	TC	TC	TC
-13	-25	12900	12400	11900	10800				
-4	-20	14200	13700	13200	12100				
0	-18	16100	15600	15000	14000				
6	-14	16900	16300	15800	14800				
10	-12	17400	16900	16300	15300				
16	-9	19200	18600	18100	17000				
19	-7	20000	19500	19000	17900				
24	-4	22600	22200	21600	20600				
32	0	24800	24200	23800	22600				
41	5	26600	26000	25600	24600				
43	6	27400	26800	26400	25400				
47	8	28000	27400	26800	25800				
53	12	28200	27600	27200	26000				
59	15	28400	28000	27400	26400				
64	18	29200	28800	28200	27200				
70	21	30000	29600	29000	28000				
75	24	30800	30400	29800	28800				
78	26	31800	31400	30800	29800				

*Total Capacity

Capacities in these performance tables reflect normal operation at the temperatures indicated. See specification tables above for certified values under prescribed test conditions.

Mechanical Specifications

Mini-Split Outdoor Unit

General

This unit is fully charged from the factory for up to 25 feet of piping. This unit is designed to operate at outdoor ambient temperatures as high as 115°F. Cooling capacities with the mini-split air handler shown in the catalog are AHRI certified. The unit is ETL listed for outdoor application.

Unit Casing

The unit casing is constructed of heavy gauge, galvanized steel and painted with a weather-resistant powder paint.

Mini-Split Indoor High Wall

General

The High Wall mounted type air handler shall be completely factory assembled including coil, condensate drain pan, fan motor, washable filter, air purifying filter and electric controls to be used with a wireless remote controller. Unit shall be shipped with a unit mounting plate. Unit shall be matched with an American Standard outdoor unit, rated and tested in accordance with AHRI standard. Unit shall be ETL listed.

Unit Casing

Casing shall be provided with knockouts on the right, and left of the unit to facilitate piping and electrical connection on either side of the unit. An electrical service cover shall be provided to permit easy access to the electrical terminal strip.

Refrigerant Controls

Refrigeration system controls include condenser fan and compressor relay. High and low pressure controls are inherent to the compressor. A suction line multi function service valve is standard

Compressor

The compressor features internal over temperature and pressure protection; total dipped hermetic motor windings. Other features include: centrifugal oil pump and low vibration and noise.

Condenser Coil

The coil shall consist of aluminum finned coils brazed to copper tubing. The coil provides air flow resistance and efficient heat transfer. The coil is protected by the casing.

Low Ambient Cooling

Matched Trane ductless products, have cooling capabilities at outdoor ambient temperatures as low as 0° F.

Discharge Airflow and Distribution System

Unit shall have auto swing, dual horizontal blades to optimize the aperture outlet for vertical airflow and air distribution. Blade shall close automatically when the air conditioner is turned off to minimize dust entering the unit. Five-Step preset program on the remote controller shall be available to control the blade angle.

Manually adjusted wide-angle louvers shall be provided to adjust the coverage and direction of airflow.

Controls

Units shall have the capability to be controlled remotely through wall-mounted wired options as well as a wireless remote option.

Remote Controller

The unit shall have a wireless infrared remote controller with easy reading digital display panel to start, stop and regulate the air conditioner from a distance.

The wireless controller is available for all units. **(Sold separately)**

Healthy Filters

The unit shall have an active carbon and catechin filter with the unit. The filters need to be cleaned at least once a year.



Trane - by Trane Technologies (NYSE: TT), a global climate innovator - creates comfortable, energy efficient indoor environments for commercial and residential applications. For more information, please visit trane.com or tranetechnologies.com.



The AHRI Certified mark indicates Trane U.S. Inc. participation in the AHRI Certification program. For verification of individual certified products, go to ahridirectory.org.

Trane has a policy of continuous data improvement and it reserves the right to change design and specifications without notice. We are committed to using environmentally conscious print practices.