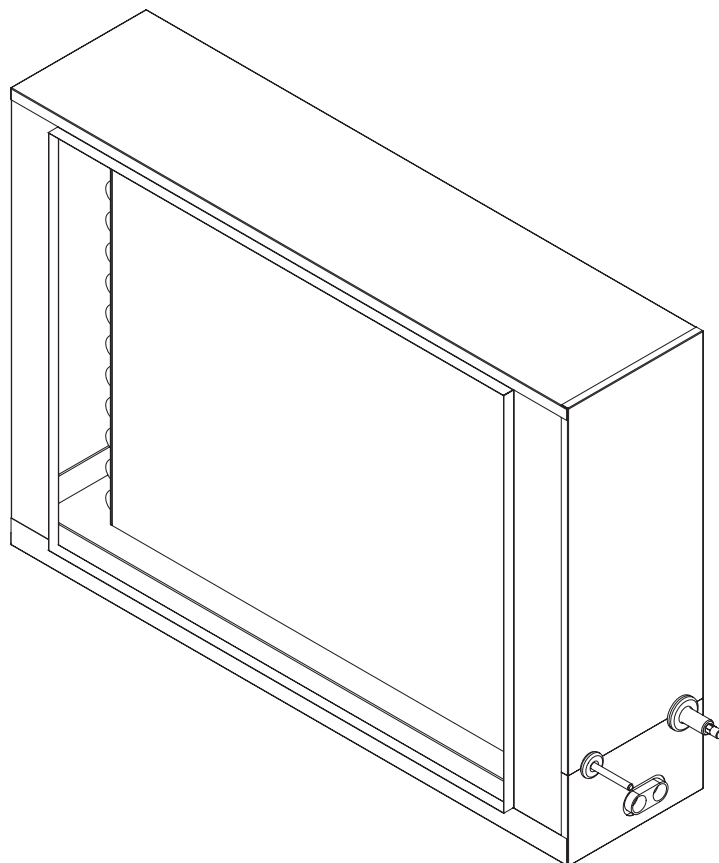




Aluminum Cased Horizontal Flat, Heat Pump / Cooling Coils 2 – 5 Ton

4PXFH-BC/BZ

Heat Pump / Cooling Coils for
R-410A Refrigerant



22-1961-1C-EN



Heat Pump/ Cooling Coil Nomenclature

1 2 3 4 5 6 7 8 9 10 11 12 13 14 15
4 P X F H 0 0 3 B Z 3 H H A A

Refrigerant Type

4 = R410a

Series

T = Premium Multi-Poise (Cooling and HP)
P = Core Dedicated Position (Cooling and HP)
M = Value Multi-Poise (Cooling and HP)

Coil Design

X = Direct Expansion Evaporator Coil

Coil Feature

C = Cased A Coil
A = Uncased A Coil
F = Cased Horizontal Flat Coil

Cabinet Width

A = 14.5"
B = 17.5"
C = 21.0"
D = 24.5"
H = 10.5"

Airflow Direction

0 = Multi-directional (horizontal allowed)
U = Upflow/Downflow, convertible to Horizontal Left
D = Downflow, convertible to horizontal right

**Nominal Capacity in 1000's (BTUH)/
Model Number Distinguisher**

Major Design Change

Efficiency

C = Standard
S = High Efficiency
Z = High Efficiency (TXV modulates to 50%)

Refrigerant Control

3 = TXV
6 = FCCV (Flow Control/Check Valve)

Coil Circuitry

H = Heat Pump
C = Cooling

Airflow Configuration

A = Upflow
U = Upflow/Downflow
D = Downflow
R = Downflow / Horizontal Right
H = Horizontal Left/Right
C = Convertible – Upflow, Downflow, Left, or Right

Minor Design Change

Service Digit – Not Orderable



General Data

PRODUCT SPECIFICATIONS^[1] – 4PXFH -- SPLIT SYSTEM HEAT PUMP / COOLING COMFORT™ COILS CASED HORIZONTAL

Model	4PXFH001BC3HHA	4PXFH004BC3HHA	4PXFH007BC3HHA
INDOOR COIL -- Type	Plate Fin	Plate Fin	Plate Fin
Rows / F.P.I.	3 / 14	3 / 14	4 / 14
Face area (sq. ft.)	3.67	4.58	4.58
Tube Size (in.)	3/8	3/8	3/8
Refrigerant Control	Non-bleed TXV	Non-bleed TXV	Non-bleed TXV
Drain Connection Size (in.)	3/4 NPT	3/4 NPT	3/4 NPT
Duct Connections (H x D, in.)	21 x 24	21 x 30	21 x 30
REFRIGERANT CONNECTIONS	R410a	R410a	R410a
	Brazed	Brazed	Brazed
Line Size -- Gas (in.)	3/4	3/4	7/8
Line Size -- Liquid (in.)	3/8	3/8	3/8
DIMENSIONS (in.)	H X W X D	H X W X D	H X W X D
Crated	27 x 13 x 34	27 x 13 x 40	27 x 13 x 40
Uncrated	23.5 x 10 x 29.5	23.5 x 10 x 35.5	23.5 x 10 x 35.5
WEIGHT (lbs)			
Shipping / Net	40 / 29	47 / 44	61 / 54

Model	4PXFH003BZ3HHA	4PXFH005BZ3HHA	4PXFH009BZ3HHA
INDOOR COIL -- Type	Plate Fin	Plate Fin	Plate Fin
Rows / F.P.I.	3 / 14	4 / 14	4 / 14
Face Area (sq.ft.)	4.58	4.58	5.50
Tube Size	3/8	3/8	3/8
Refrigerant Control	Non-bleed TXV	Non-bleed TXV	Non-bleed TXV
Drain Connection Size (in.)	3/4 NPT	3/4 NPT	3/4 NPT
Duct Connections (H x D, in.)	21 x 30	21 x 30	27 x 34
REFRIGERANT CONNECTIONS	R410a	R410a	R410a
	Brazed	Brazed	Brazed
Line Size -- Gas (in.)	3/4	7/8	7/8
Line Size -- Liquid (in.)	3/8	3/8	3/8
DIMENSIONS (in.)	H X W X D	H X W X D	H X W X D
Crated	27 x 13 x 40	27 x 13 x 40	33 x 13 x 44
Uncrated	23.5 x 10 x 35.5	23.5 x 10 x 35.5	29.5 x 10 x 41.5
WEIGHT (lbs)			
Shipping / Net	47 / 44	61 / 54	70 / 65

[1] These indoor coils are A.H.R.I. certified with various split system air conditioners and heat pumps (A.H.R.I. Standard 210/240). Refer to the Split System Outdoor product information site or www.ahrinet.org

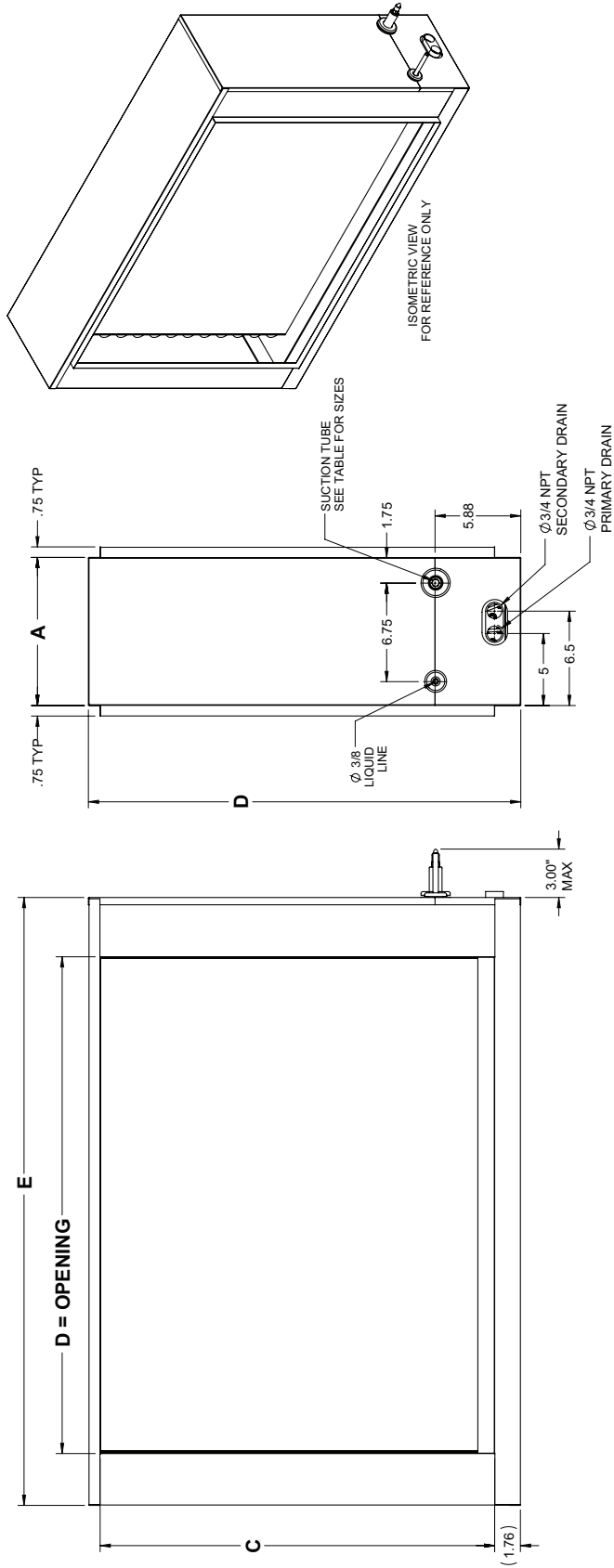


Performance Data



PRESSURE DROP CHARACTERISTICS FOR COOLING AND HEAT PUMP COILS									
AIRFLOW (CFM) VS. PRESSURE DROP ACROSS WET COIL									
PRESSURE DROP (INCHES OF WATER COLUMN)									
MODEL	400	600	800	1000	1200	1400	1600	1800	2000
4PXFH003BZ3HHA	0.03	0.05	0.07	0.10	0.13	0.17	0.20	0.25	0.30
4PXFH001BC3HHA	0.04	0.06	0.10	0.14	0.18	0.23	0.29	0.35	0.42
4PXFH005BZ3HHA	0.03	0.05	0.07	0.10	0.13	0.16	0.20	0.23	0.28
4PXFH004BC3HHA	0.03	0.05	0.07	0.10	0.13	0.17	0.20	0.25	0.30
4PXFH007BC3HHA	0.03	0.05	0.07	0.10	0.13	0.16	0.20	0.23	0.28
4PXFH009BZ3HHA	0.02	0.04	0.06	0.08	0.10	0.13	0.16	0.19	0.23

OUTLINE DRAWING - 4PXFH001BC3HHA, 4PXFH004BC3HHA, 4PXFH007BC3HHA, 4PXFH003BZ3HHA, 4PXFH005BZ3HHA, 4PXFH009BZ3HHA
 All dimensions are in inches



TRANE MODEL#	A	B	C	D	E	SUCTION SIZE ϕ
4PXFH003BZ3HHA	10	23.50	21	30	35.50	3/4
4PXFH001BC3HHA	10	23.50	21	24	29.50	3/4
4PXFH005BZ3HHA	10	23.50	21	30	35.50	3/4
4PXFH004BC3HHA	10	23.50	21	30	35.50	7/8
4PXFH007BC3HHA	10	23.50	21	30	35.50	7/8
4PXFH009BZ3HHA	10	29.50	27	34	41.50	7/8



Trane - by Trane Technologies (NYSE: TT), a global climate innovator - creates comfortable, energy efficient indoor environments for commercial and residential applications. For more information, please visit trane.com or tranetechnologies.com.



Intertek

Trane has a policy of continuous data improvement and it reserves the right to change design and specifications without notice. We are committed to using environmentally conscious print practices.

22-1961-1C-EN 31 Mar 2022

Supersedes 22-1961-1B-EN (February 2022)

© 2022 Trane