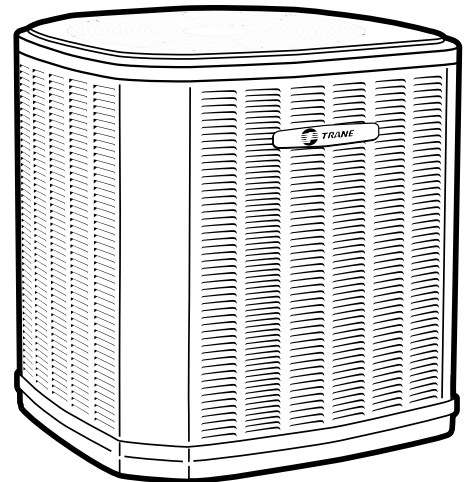




# Product Data

## Split System Air Conditioner 3-Phase

4TTA7036A3000A  
4TTA7048A3000A  
4TTA7060A3000A  
4TTA7036A4000A  
4TTA7048A4000A  
4TTA7060A4000A



*Note: "Graphics in this document are for representation only. Actual model may differ in appearance."*



# Table of Contents

Product Specifications .....	3
Sound Power Level .....	5
Accessory Description and Usage .....	6
Model Nomenclature.....	6
SCHEMATIC .....	7
Outline Drawing .....	9
Mechanical Specification Options .....	10



# Product Specifications

Model No. <sup>(a)</sup> <sup>(b)</sup>	4TTA7036A3000A	4TTA7048A3000A	4TTA7060A3000A
POWER CONNS. – V/PH/HZ <sup>(c)</sup>	208/230/3/60	208/230/3/60	208/230/3/60
MIN. BRCH. CIR. AMPACITY	15	18	22
BR. CIR. PROT. RTG. – MAX. (AMPS)	25	30	35
COMPRESSOR	CLIMATUFF®- SCROLL	CLIMATUFF®- SCROLL	CLIMATUFF®- SCROLL
R.L. AMPS <sup>(d)</sup> – L.R. AMPS	11.6 – 73	14 – 83	16.2 – 110
Outdoor Fan FL AMPS	0.71	0.93	1.30
Fan HP	1/8	1/5	1/4
Fan Dia (inches)	27.6	27.6	27.6
Coil	SPINE FIN™	SPINE FIN™	SPINE FIN™
Refrigerant R-410A <sup>(e)</sup>	8 LBS., 13 OZ	13 LBS., 2 OZ	12 LBS., 9 OZ
LINE SIZE – IN. O.D. GAS <sup>(f)</sup> <sup>(g)</sup>	3/4	7/8	1 – 1/8
LINE SIZE – IN. O.D. LIQ. <sup>(h)</sup>	3/8	3/8	3/8
Charge Spec. Subcooling	9°F	8°F	8°F
Dimensions H x W X D Crated (IN.)	51.0 x 38.7 x 35.1	51.0 x 38.7 x 35.1	51.0 x 38.7 x 35.1
Weight – Shipping (lbs.)	283	285	308
Weight – Net (lbs.)	245	248	271
<b>Optional Accessories:</b>			
Anti-short Cycle Timer	TAYASCT501A	TAYASCT501A	TAYASCT501A
Evaporator Defrost Control	AY28X079 <sup>(i)</sup>	AY28X079 <sup>(i)</sup>	AY28X079 <sup>(i)</sup>
Rubber Isolator Kit	BAYISLT101	BAYISLT101	BAYISLT101
Extreme Condition Mount Kit	BAYECMT004	BAYECMT004	BAYECMT004
Crankcase Heater Kit	-	-	-
Seacoast Kit	BAYSEAC001	BAYSEAC001	BAYSEAC001
Low Ambient Kit	BAYLOAM107	BAYLOAM107	BAYLOAM107
Sound Enclosure	BAYSDEN004	BAYSDEN004	BAYSDEN004
Snow Legs – 6”	BAYLEGS002	BAYLEGS002	BAYLEGS002
Snow Legs Extension – 4”	BAYLEGS003	BAYLEGS003	BAYLEGS003
Service Valve Panel Cover	TAYSVPANL0044AA	TAYSVPANL0044AA	TAYSVPANL0044AA
Refrigerant Lineset <sup>(j)</sup>			

- (a) Certified in accordance with the Air-Source Unitary Air-conditioner Equipment certification program, which is based on AHRI standard 210/240.
- (b) Rated in accordance with AHRI standard 270.
- (c) Calculated in accordance with N.E.C. Only use HACR circuit breakers or fuses.
- (d) This value shown for compressor RLA on the unit nameplate and on this specification sheet is used to compute minimum branch circuit ampacity and max. fuse size. The value shown is the branch circuit selection current.
- (e) This value approximate. For more precise value see unit nameplate.
- (f) Reference the outdoor unit ship-with literature for refrigerant piping length and lift guidelines. Reference the refrigerant piping software pub # 32-3312-xx or refrigerant piping application guide SS-APG006-xx for long line sets or specialty applications (xx denotes latest revision).
- (g) The outdoor condensing units are factory charged with the system charge required for the outdoor condensing unit, ten (10) feet of tested connecting line, and the smallest rated indoor evaporative coil match. Always verify proper system charge via subcooling (TXV/EEV) or superheat (fixed orifice) per the unit nameplate.
- (h) This value approximate. For more precise value see unit nameplate.
- (i) AY28X\*\*\* Evaporator Defrost Control not required when indoor unit has EEV.
- (j) 25, 30, 35 and 50 foot linesets available. For a complete listing of lineset options available from equipment or supply stores, refer to the Trane Residential and Light Commercial Product Handbook.



## Product Specifications

Model No. <sup>(a) (b)</sup>	4TTA7036A4000A	4TTA7048A4000A	4TTA7060A4000A
POWER CONNS. – V/PH/HZ <sup>(c)</sup>	460/3/60	460/3/60	460/3/60
MIN. BRCH. CIR. AMPACITY	8	9	10
BR. CIR. PROT. RTG. – MAX. (AMPS)	15	15	15
COMPRESSOR	CLIMATUFF®- SCROLL	CLIMATUFF®- SCROLL	CLIMATUFF®- SCROLL
R.L. AMPS <sup>(d)</sup> – L.R. AMPS	5.7 – 38	6.4 – 41	7.6 – 52
Outdoor Fan FL AMPS	0.40	0.60	0.72
Fan HP	1/8	1/5	1/4
Fan Dia (inches)	27.6	27.6	27.6
Coil	SPINE FIN™	SPINE FIN™	SPINE FIN™
Refrigerant R-410A <sup>(e)</sup>	8 LBS., 13 OZ	13 LBS., 2 OZ	12 LBS., 9 OZ
LINE SIZE – IN. O.D. GAS <sup>(f) (g)</sup>	3/4	7/8	1 – 1/8
LINE SIZE – IN. O.D. LIQ. <sup>(h)</sup>	3/8	3/8	3/8
Charge Spec. Subcooling	9°F	8°F	8°F
Dimensions H x W x D Crated (IN.)	51.0 x 38.7 x 35.1	51.0 x 38.7 x 35.1	51.0 x 38.7 x 35.1
Weight – Shipping (lbs.)	283	285	308
Weight – Net (lbs.)	245	248	271
<b>Optional Accessories:</b>			
Anti-short Cycle Timer	TAYASCT501A	TAYASCT501A	TAYASCT501A
Evaporator Defrost Control	AY28X079 <sup>(i)</sup>	AY28X079 <sup>(i)</sup>	AY28X079 <sup>(i)</sup>
Rubber Isolator Kit	BAYISLT101	BAYISLT101	BAYISLT101
Extreme Condition Mount Kit	BAYECMT004	BAYECMT004	BAYECMT004
Crankcase Heater Kit	–	–	–
Seacoast Kit	BAYSEAC001	BAYSEAC001	BAYSEAC001
Low Ambient Kit	BAYLOAM107	BAYLOAM107	BAYLOAM107
Sound Enclosure	BAYSDEN004	BAYSDEN004	BAYSDEN004
Snow Legs – 6”	BAYLEGS002	BAYLEGS002	BAYLEGS002
Snow Legs Extension – 4”	BAYLEGS003	BAYLEGS003	BAYLEGS003
Service Valve Panel Cover	TAYSVPANL0044AA	TAYSVPANL0044AA	TAYSVPANL0044AA
Refrigerant Lineset <sup>(j)</sup>			

<sup>(a)</sup> Certified in accordance with the Air-Source Unitary Air-conditioner Equipment certification program, which is based on AHRI standard 210/240.

<sup>(b)</sup> Rated in accordance with AHRI standard 270.

<sup>(c)</sup> Calculated in accordance with N.E.C. Only use HACR circuit breakers or fuses.

<sup>(d)</sup> This value shown for compressor RLA on the unit nameplate and on this specification sheet is used to compute minimum branch circuit ampacity and max. fuse size. The value shown is the branch circuit selection current.

<sup>(e)</sup> This value approximate. For more precise value see unit nameplate.

<sup>(f)</sup> Reference the outdoor unit ship-with literature for refrigerant piping length and lift guidelines. Reference the refrigerant piping software pub # 32-3312-xx or refrigerant piping application guide SS-APG006-xx for long line sets or specialty applications (xx denotes latest revision).

<sup>(g)</sup> The outdoor condensing units are factory charged with the system charge required for the outdoor condensing unit, ten (10) feet of tested connecting line, and the smallest rated indoor evaporative coil match. Always verify proper system charge via subcooling (TXV/EEV) or superheat (fixed orifice) per the unit nameplate.

<sup>(h)</sup> This value approximate. For more precise value see unit nameplate.

<sup>(i)</sup> AY28X\*\*\* Evaporator Defrost Control not required when indoor unit has EEV.

<sup>(j)</sup> 25, 30, 35 and 50 foot linesets available. For a complete listing of lineset options available from equipment or supply stores, refer to the Trane Residential and Light Commercial Product Handbook.



# Sound Power Level

Sound Power Level									
MODEL	A-Weighted Sound Power Level [dB(A)]	Full Octave Sound Power(dB)							
		63 Hz	125 Hz	250 Hz	500 Hz	1000 Hz	2000 Hz	4000 Hz	8000 Hz
4TTA7036A	72	74	71	72	70	69	62	59	55
4TTA7048A	73	85	74	68	69	69	63	58	54
4TTA7060A	74	75	71	71	71	70	65	58	52



# Accessory Description and Usage

**Anti-Short Cycle Timer** — Solid state timing device that prevents compressor recycling until five (5) minutes have elapsed after satisfying call or power interruptions. Use in area with questionable power delivery, commercial applications, long lineset, etc.

**Evaporation Defrost Control** — SPST Temperature actuated switch that cycles the condenser off as indoor coil reaches freeze-up conditions. Used for low ambient cooling to 30°F with TXV.

**Rubber Isolators** — Five (5) large rubber donuts to isolate condensing unit from transmitting energy into mounting frame or pad. Use on any application where sound transmission needs to be minimized.

**Hard Start Kit** — Start capacitor and relay to assist compressor motor startup. Use in areas with marginal power supply, on long linesets, low ambient conditions, etc.

**Extreme Condition Mount Kit** — Bracket kits to securely mount condensing unit to a frame or pad without removing any panels. Use in areas with high winds, or on commercial roof tops, etc.

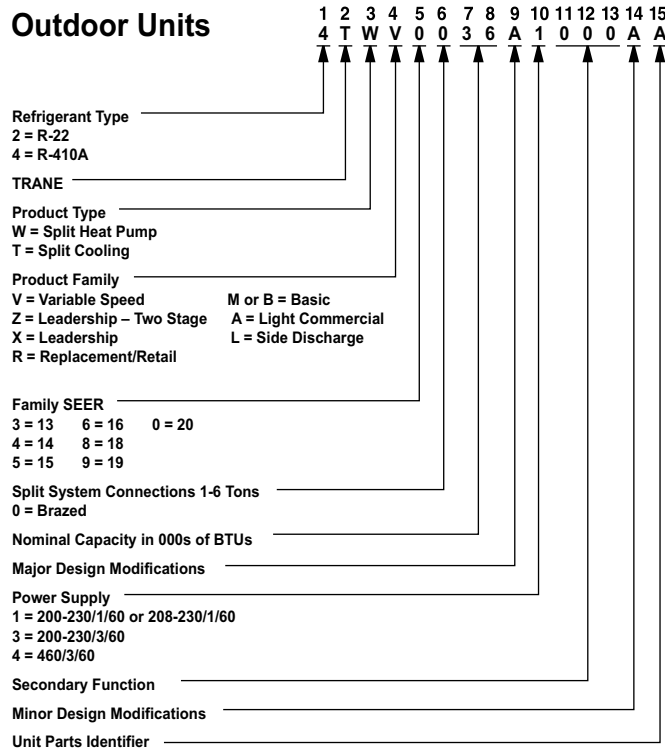
## AHRI Standard Capacity Rating Conditions

AHRI Standard 210/240 Rating Conditions

1. Cooling 80°F DB, 67°F WB air entering indoor coil, 95°F DB air entering outdoor coil.
2. High Temperature Heating 47°F DB, 43°F WB air entering outdoor coil, 70°F DB air entering indoor coil.
3. Low Temperature Heating 17°F DB air entering indoor coil.
4. Rated indoor airflow for heating is the same as for cooling.

**AHRI Standard 270 Rating Conditions** — (Noise rating numbers are determined with the unit in cooling operations.) Standard Noise Rating number is at 95°F outdoor air.

## Model Nomenclature

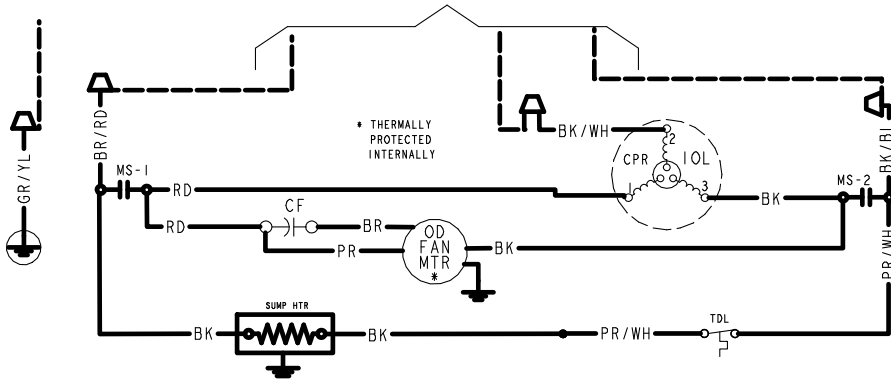




# SCHEMATIC

230V AC — D159205P02

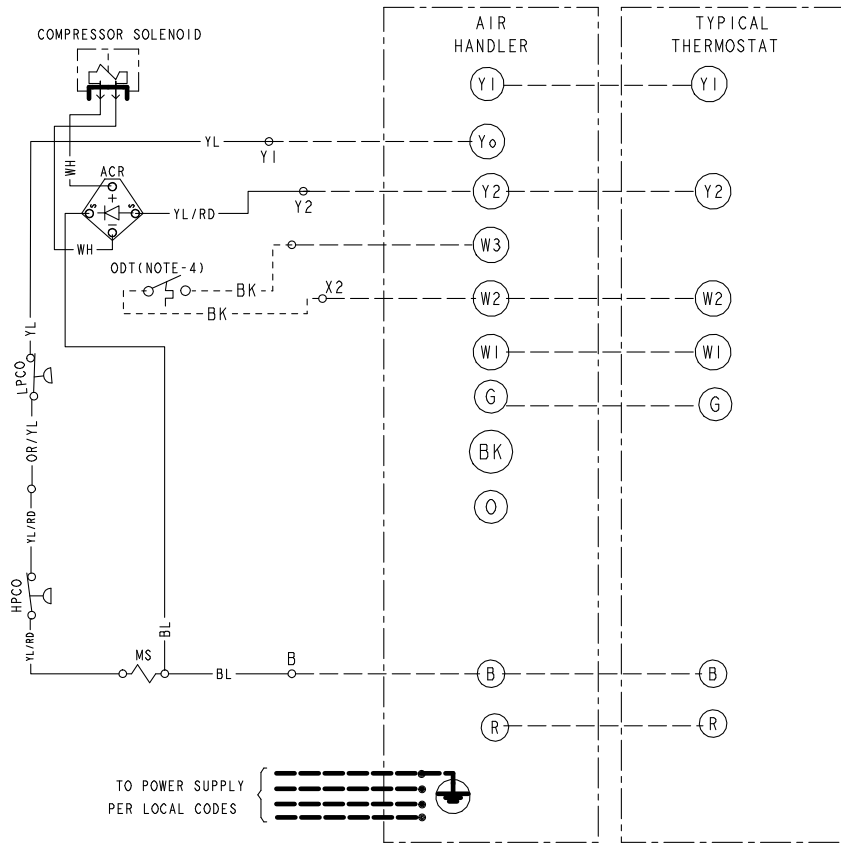
TO POWER SUPPLY PER UNIT NAMEPLATE AND LOCAL CODES



COLOR OF WIRE  
BK/BL  
COLOR OF MARKER

BK	BLACK	RD	RED	OR	ORANGE
BL	BLUE	WH	WHITE	GR	GREEN
BR	BROWN	YL	YELLOW	PR	PURPLE
PK	PINK				

ACR	A/C RECTIFIER
CBS	COIL BOTTOM SENSOR
CF	FAN CAPACITOR
CN	WIRE CONNECTOR
CPR	COMPRESSOR
CR	RUN CAPACITOR
CS	STARTING CAPACITOR
CSR	CAPACITOR SWITCHING RELAY
F	INDOOR FAN RELAY
HPCO	HIGH PRESSURE CUTOFF SWITCH
IOL	INTERNAL OVERLOAD PROTECTOR
LPCO	LOW PRESSURE CUTOFF SWITCH
MS	COMPRESSOR MOTOR CONTACTOR
ODA	OUTDOOR ANTICIPATOR
ODF	OUTDOOR FAN RELAY
OFF	OUTDOOR FAN THERMOSTAT
ODS	OUTDOOR TEMPERATURE SENSOR
ODT	OUTDOOR THERMOSTAT
SC	SWITCH OVER VALVE SOLENOID
SHR	SUMP HEAT RELAY
SM	SYSTEM ON-OFF SWITCH
TDL	DISCHARGE LINE THERMOSTAT
TNS	TRANSFORMER
TEMP	SENSOR, TEMPERATURE



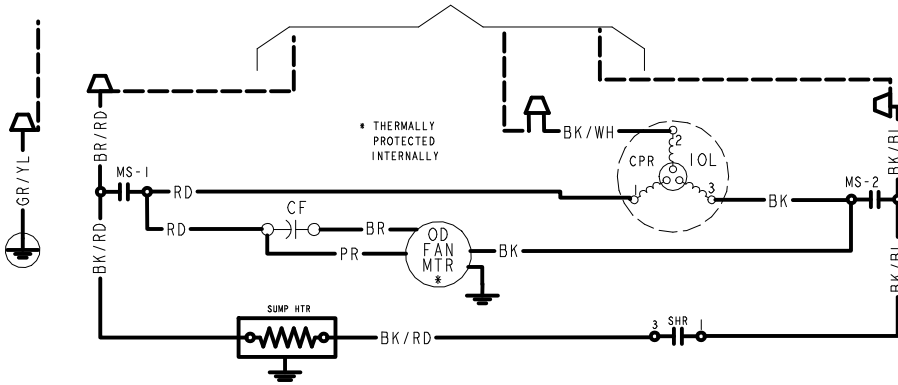
**WARNING**  
HAZARDOUS VOLTAGE!  
DISCONNECT ALL ELECTRICAL POWER INCLUDING REMOTE DISCONNECTS BEFORE SERVICING.  
Failure to disconnect power before servicing can cause severe personal injury or death.

**CAUTION**  
USE COPPER CONDUCTORS ONLY!  
UNIT TERMINALS ARE NOT DESIGNED TO ACCEPT OTHER TYPES OF CONDUCTORS.  
Failure to do so may cause damage to the equipment.

- NOTES:
1. BE SURE POWER SUPPLY AGREES WITH EQUIPMENT NAMEPLATE.
  2. POWER WIRING AND GROUNDING OF EQUIPMENT MUST COMPLY WITH LOCAL CODES.
  3. LOW VOLTAGE WIRING MUST BE 18 AWG MINIMUM CONDUCTOR.
  4. IF OUTDOOR THERMOSTAT IS NOT USED, CONNECT W2 TO W3 AT AIR HANDLER.
  5. WITH Y1 ENERGIZED, INDOOR FAN IS 1ST STAGE AIRFLOW.
  6. WITH Y1 & Y2 ENERGIZED, INDOOR FAN IS 2ND STAGE AIRFLOW.
  7. SEE AIR HANDLER INSTALLER GUIDE FOR DIP SWITCH CONFIGURATIONS.

460V AC — D159376P01

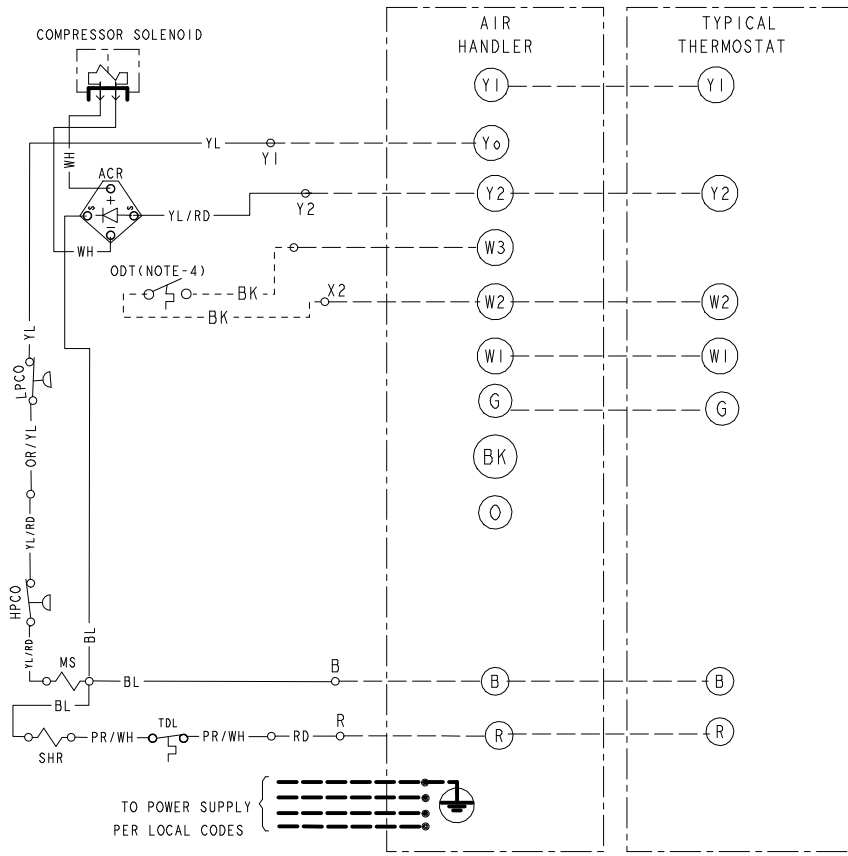
TO POWER SUPPLY PER UNIT NAMEPLATE AND LOCAL CODES



COLOR OF WIRE  
BK/BL  
COLOR OF MARKER

BK	BLACK	RD	RED	OR	ORANGE
BL	BLUE	WH	WHITE	GR	GREEN
BR	BROWN	YL	YELLOW	PR	PURPLE
PK	PINK				

ACR	A/C RECTIFIER
CBS	COIL BOTTOM SENSOR
CF	FAN CAPACITOR
CN	WIRE CONNECTOR
CPR	COMPRESSOR
CR	RUN CAPACITOR
CS	STARTING CAPACITOR
CSR	CAPACITOR SWITCHING RELAY
F	INDOOR FAN RELAY
HPCO	HIGH PRESSURE CUTOFF SWITCH
IOL	INTERNAL OVERLOAD PROTECTOR
LPCC	LOW PRESSURE CUTOFF SWITCH
MS	COMPRESSOR MOTOR CONTACTOR
ODA	OUTDOOR ANTICIPATOR
ODF	OUTDOOR FAN RELAY
OFT	OUTDOOR FAN THERMOSTAT
ODS	OUTDOOR TEMPERATURE SENSOR
ODT	OUTDOOR THERMOSTAT
SC	SWITCH OVER VALVE SOLENOID
SHR	SUMP HEAT RELAY
SM	SYSTEM ON-OFF SWITCH
TDL	DISCHARGE LINE THERMOSTAT
TNS	TRANSFORMER
TEMP	SENSOR, TEMPERATURE



**WARNING**  
HAZARDOUS VOLTAGE!  
DISCONNECT ALL ELECTRICAL POWER INCLUDING REMOTE DISCONNECTS BEFORE SERVICING.  
Failure to disconnect power before servicing can cause severe personal injury or death.

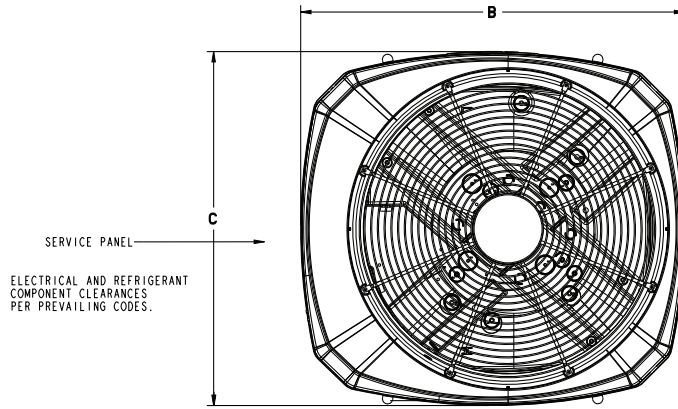
**CAUTION**  
USE COPPER CONDUCTORS ONLY!  
UNIT TERMINALS ARE NOT DESIGNED TO ACCEPT OTHER TYPES OF CONDUCTORS.  
Failure to do so may cause damage to the equipment.

- NOTES:
1. BE SURE POWER SUPPLY AGREES WITH EQUIPMENT NAMEPLATE.
  2. POWER WIRING AND GROUNDING OF EQUIPMENT MUST COMPLY WITH LOCAL CODES.
  3. LOW VOLTAGE WIRING MUST BE 18 AWG MINIMUM CONDUCTOR.
  4. IF OUTDOOR THERMOSTAT IS NOT USED, CONNECT W2 TO W3 AT AIR HANDLER.
  5. WITH Y1 ENERGIZED, INDOOR FAN IS 1ST STAGE AIRFLOW.
  6. WITH Y1 & Y2 ENERGIZED, INDOOR FAN IS 2ND STAGE AIRFLOW.
  7. SEE AIR HANDLER INSTALLER GUIDE FOR DIP SWITCH CONFIGURATIONS.

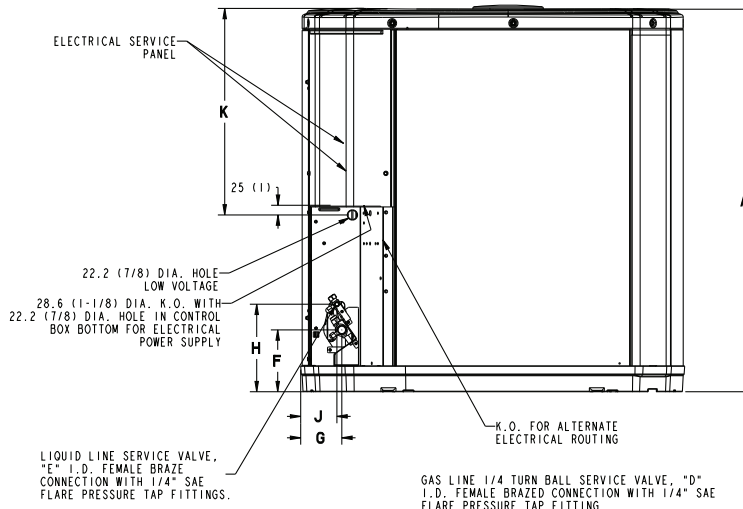




# Outline Drawing



TOP DISCHARGE AREA SHOULD BE UNRESTRICTED FOR AT LEAST 1524 (5 FEET) ABOVE UNIT. UNIT SHOULD BE PLACED SO ROOF RUN-OFF WATER DOES NOT POUR DIRECTLY ON UNIT, AND SHOULD BE AT LEAST 305 (12") FROM WALL AND ALL SURROUNDING SHRUBBERY ON TWO SIDES. OTHER TWO SIDES UNRESTRICTED.



Model	Base	A	B	C	D	E	F	G	H	J	K
4TTA7036A	4	1147 (45-1/8)	946 (37-1/4)	870 (34-1/4)	3/4	3/8	152 (6)	98 (3-7/8)	219 (8-5/8)	86 (3-3/8)	813 (32)
4TTA7048A	4	1147 (45-1/8)	946 (37-1/4)	870 (34-1/4)	7/8	3/8	152 (6)	98 (3-7/8)	219 (8-5/8)	86 (3-3/8)	813 (32)
4TTA7060A	4	1147 (45-1/8)	946 (37-1/4)	870 (34-1/4)	1-1/8	3/8	152 (6)	98 (3-7/8)	219 (8-5/8)	86 (3-3/8)	813 (32)



# Mechanical Specification Options

## General

The outdoor condensing units are factory charged with the system charge required for the outdoor condensing unit, ten (10) feet of tested connecting line, and the smallest rated indoor evaporative coil match. This unit is designed to operate at outdoor ambient temperatures as high as 115°F. Cooling capacities are matched with a wide selection of air handlers and furnace coils that are AHRI certified. The unit is certified to UL 1995. Exterior is designed for outdoor application.

## Casing

Unit casing is constructed of heavy gauge, galvanized steel and painted with a weather-resistant powder paint finish. The corner panels are prepainted. All panels are subjected to our 1,000 hour salt spray test.

## Refrigerant Controls

Refrigeration system controls include condenser fan, compressor contactor and low and high pressure switches. A factory supplied, field installed liquid line drier is standard.

## Compressor

The compressor features internal over temperature and pressure protection. Other features include: Centrifugal oil pump and low vibration and noise.

## Condenser Coil

The outdoor coil provides low airflow resistance and efficient heat transfer. The coil is protected on all four sides by louvered panels.

## Low Ambient Cooling

As manufactured, this system has a cooling capacity to 55°F. The addition of an evaporator defrost control permits operation to 40°F. The addition of an evaporator defrost control with TXV permits low ambient cooling to 30°F.

The addition of the BAYLOAM107A low ambient kit permits ambient cooling to 20°F.

**Thermostats**—Cooling only and heat/cooling (manual and automatic change over). Sub-base to match thermostat and locking thermostat cover.





Trane - by Trane Technologies (NYSE: TT), a global innovator - creates comfortable, energy efficient indoor environments for commercial and residential applications. For more information, please visit [trane.com](http://trane.com) or [tranetechnologies.com](http://tranetechnologies.com).

---



The AHRI Certified mark indicates Trane U.S. Inc. participation in the AHRI Certification program. For verification of individual certified products, go to [ahridirectory.org](http://ahridirectory.org).

Trane has a policy of continuous data improvement and it reserves the right to change design and specifications without notice. We are committed to using environmentally conscious print practices.