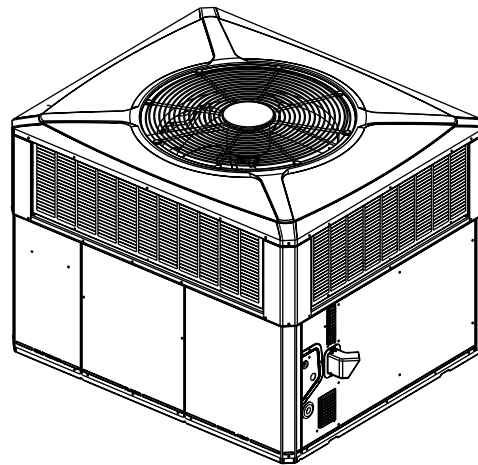




Product Data

Single Packaged Gas/Electric 15 SEER Convertible, 2–5 Ton

4YCY5024A1060A
4YCY5030A1070A
4YCY5036A1070A
4YCY5036A1090A
4YCY5042A1090A
4YCY5048A1090A
4YCY5048A1115A
4YCY5060A1115A



Note: "Graphics in this document are for representation only. Actual model may differ in appearance."



Single Packaged Convertible Gas/Electric Systems

Trane offers a complete family of packaged gas/electric heating and cooling systems, designed to provide the unbeatable combination of energy efficiency and lower operating costs. In warm weather, the package gas/electric system functions as an all-electric, high efficiency air conditioner. In cold weather, it operates as a natural gas or propane gas furnace, offering the best of both energy worlds.

Because cooling and heating functions are all contained in a single cabinet, a single packaged convertible gas/electric system is easy to install and service.

It can be flush mounted beside your home at ground level or placed on the roof for horizontal or downflow installation. When connected to an optional American Standard thermostat control, and air distribution ducts, you have a highly efficient, total home comfort system.

Single Packaged Convertible Gas/Electric Systems are unmatched in quality and reliability.

All major components on these products, including the compressor, have been designed and manufactured for maximum service. Every compressor is designed and manufactured to exacting specifications. Each design is life tested in extreme environments to ensure reliable and long lasting operation in normal applications. Each compressor has internal motor protection for added reliability.

Single Packaged Convertible Gas/Electric Systems provide better performance.

Our single packaged cooling/heating units offer cooling/heating efficiencies that are unmatched in the industry and provide you with a product far superior in performance than the competition.



Optional Equipment Listing

Hinged Filter Access Door (4YCY5024-5036)	BAYCCDOR1A []
Hinged Filter Access Door (4YCY5042-5060)	BAYCCDOR2A []
Roof Curb Full Perimeter (4YCY5024-5036)	BAYCURB050A []
Roof Curb Full Perimeter (4YCY5042-5060)	BAYCURB051A []
Roof Curb Utility Extension Kit (BAYCURB050A)	BAYUTIL101B []
Roof Curb Utility Extension Kit (BAYCURB051A)	BAYUTIL101B []
0-25% Manual Fresh Air Damper (4YCY5024-5036) ^(a)	BAYOSAH001A []
0-25% Manual Fresh Air Damper (4YCY5042-5060)	BAYOSAH002A []
Motorized Fresh Air Damper (4YCY5024-5036)	BAYDMPR101A []
Motorized Fresh Air Damper (4YCY5042-5060)	BAYDMPR102A []
16" Round Duct Adapter (2 per box) (4YCY5024-5036) ^(b)	BAYSQRD001A []
18" Round Duct Adapter (2 per box) (4YCY5024-5036)	BAYSQRD002A []
0-100% Mod Economizer w/Baro. Relief (4YCY5024-5036) ^{(c) (d)}	BAYECON101B []
0-100% Mod Economizer w/Baro. Relief (4YCY5042-5060)	BAYECON102B []
0-100% Horizontal Economizer (4YCY5024-5036)	BAYECON200B []
0-100% Horizontal Economizer (4YCY5042-5060)	BAYECON201B []
Enthalpy Control for Economizer (ALL-BAYECON)	BAYENTH001A []
Remote Potentiometer (ALL-BAYECON)	BAYSTAT023 []
1"-2" Filter Frame (4YCY5024-4036) (18 x 25 filter not included)	BAYFLTR101C []
1"-2" Filter Frame (4YCY5042-4060) (two 18 x 20 filters not included)	BAYFLTR201C []
Head Pressure Control (Low Ambient Cool) (208/240v) Kit	BAYLOAM105A []
Quick Start Kit (4YCY5-A1)	BAYQSTK301A []
Crankcase Heater Scroll (4YCY5024-5036) (230v)	BAYCCHT103A []
Crankcase Heater Scroll (4YCY5042-5060) (230v)	BAYCCHT102A []
Adapter Curb (4YCY5024-5036A) to BAYCURB030,38	BAYADAP050A []
Adapter Curb (4YCY5024-5036A) to BAYCURB033	BAYADAP051A []
Adapter Curb (4YCY5042-5060A) to BAYCURB030,38	BAYADAP052A []
Adapter Curb (4YCY5042-5060A) to BAYCURB033	BAYADAP053A []
Adapter Curb (4YCY5042-5060A) to BAYCURB034	BAYADAP054A []
12" Duct Shroud Covers Horizontal (4YCY5024-5060A)	BAYCOVR112A []
18" Duct Shroud Covers Horizontal (4YCY5042-5060A)	BAYCOVR118A []
Extreme Condition Mounting Kit — All BAYCURB & BAYADAP	BAYEXMK001A []
Extreme Condition Mounting Kit — All BAYUTIL	BAYEXMK002B []
Extreme Condition Mounting Kit — All Slab Mounts	BAYEXMK003B []
Lifting Lug Kit	BAYLIFT002B []
LP Conversion Kit (All 115K Models)	BAYLPKT100A []
LP Conversion Kit (All 60K and 90K Models)	BAYLPKT101A []
LP Conversion Kit (All 70K Models)	BAYLPKT102A []

^(a) Must use internal filter frame when economizer or fresh air kit is used.

^(b) It is the responsibility of the installing dealer to properly size the ductwork for each specific application.

^(c) Dry bulb control standard with economizer.

^(d) Downflow only.



Product Specifications

MODEL	4YCY5024A1060A	4YCY5030A1070A	4YCY5036A1070A	4YCY5036A1090A
RATED Volts/PH/Hz	208-230/1/60	208-230/1/60	208-230/1/60	208-230/1/60
Performance Cooling BTUH ^(a)	23800	28400	36000	36000
Indoor Airflow (CFM)	815	875	1035	1035
Power Input (KW)	1.81	2.12	2.74	2.74
EER/SEER (BTU/Watt-Hr.)	12.0 / 15.0	12.0 / 15.0	12.0 / 15.0	12.0 / 15.0
Sound Power Rating [dB(A)] ^(b)	65	70	69	69
PERFORMANCE HEATING^(c)				
Input BTUH-1st Stage (Natural Gas) ^(d)	48000	56000	56000	72000
Input BTUH-2nd Stage (Natural Gas) ^(e)	60000	70000	70000	90000
AFUE	81	81	81	81
Temp. Rise — Min/Max (°F)	40 / 70	30 / 60	30 / 60	40 / 70
Orifice Qty/Drill Sz. (Natural Gas)	2 / #37	2 / #33	2 / #33	3 / #37
POWER CONN. — V/Ph/Hz	208-230/1/60	208-230/1/60	208-230/1/60	208-230/1/60
Min. Brch. Cir. Ampacity ^(f)	18.4	21.2	23.8	23.8
Fuse Size — Max. (amps)	25	30	35	35
Fuse Size — Recmd. (amps)	25	30	35	35
COMPRESSOR	SCROLL	SCROLL	SCROLL	SCROLL
VOLTS/PH/HZ	208-230/1/60	208-230/1/60	208-230/1/60	208-230/1/60
R.L. Amps — L.R. Amps	10.9/63	12.8/68	14.7/75	14.7/75
OUTDOOR COIL — TYPE	SPINE-FIN	SPINE-FIN	SPINE-FIN	SPINE-FIN
Rows/F.P.I	2 / 24	2 / 24	2 / 24	2 / 24
Face Area (sq. ft.)	13.32	15.49	15.49	15.49
Tube Size (in.)	3/8	3/8	3/8	3/8
INDOOR COIL — TYPE	MCHE	MCHE	PLATE FIN	PLATE FIN
Rows/F.P.I	2 / 16	2 / 16	4 / 15	4 / 15
Face Area (sq. ft.)	2.7	2.7	3.54	3.54
Tube Size Width (in.)	0.81	0.81	3/8	3/8
Refrigeration Control	EXPANSION VALVE	EXPANSION VALVE	EXPANSION VALVE	EXPANSION VALVE
Drain Conn. Size (in.)	3/4 FEMALE NPT	3/4 FEMALE NPT	3/4 FEMALE NPT	3/4 FEMALE NPT
OUTDOOR FAN — TYPE	PROPELLER	PROPELLER	PROPELLER	PROPELLER
DIA. (IN.)	23.4	23.4	23.4	23.4
DRIVE/NO. SPEEDS	DIRECT / 1	DIRECT / 1	DIRECT / 1	DIRECT / 1
CFM @ 0.0 in. w.g. ^(g)	2570	2800	3080	3080
Motor — HP/R.P.M	1/12 / 810	1/6 / 825	1/5 / 825	1/5 / 825
Volts/Ph/Hz	208-230/1/60	208-230/1/60	208-230/1/60	208-230/1/60
F.L. Amps/L.R Amps	0.54 / 0.95	.85 / 1.65	1.1 / 2.0	1.1 / 2.0
INDOOR FAN — TYPE	CENTRIFUGAL	CENTRIFUGAL	CENTRIFUGAL	CENTRIFUGAL
Dia. x Width (in.)	10 X 10	10 X 10	10 X 10	10 X 10
Drive/No. Speeds	DIRECT / VARIABLE	DIRECT / VARIABLE	DIRECT / VARIABLE	DIRECT / VARIABLE
CFM @ 0.0 in. w.g. ^(h)	SEE FAN PERFORMANCE TABLE	SEE FAN PERFORMANCE TABLE	SEE FAN PERFORMANCE TABLE	SEE FAN PERFORMANCE TABLE
Motor — HP/R.P.M.	1/2 / VARIABLE	1/2 / VARIABLE	1/2 / VARIABLE	1/2 / VARIABLE
Volts/Ph/Hz	208-230/1/60	208-230/1/60	208-230/1/60	208-230/1/60
F.L. Amps	4.3	4.3	4.3	4.3
COMBUSTION FAN — TYPE	CENTRIFUGAL	CENTRIFUGAL	CENTRIFUGAL	CENTRIFUGAL
Drive/No. Speeds	DIRECT / 2	DIRECT / 2	DIRECT / 2	DIRECT / 2



Product Specifications

MODEL	4YCY5024A1060A	4YCY5030A1070A	4YCY5036A1070A	4YCY5036A1090A
Motor — HP/R.P.M.	1/20 / 3350/2600	1/20 / 3350/2600	1/20 / 3350/2600	1/20 / 3350/2600
Volts/Ph/Hz	208-230/1/60	208-230/1/60	208-230/1/60	208-230/1/60
FLA	0.34	0.34	0.34	0.34
FILTER / FURNISHED	NO	NO	NO	NO
Type Recommended	THROWAWAY	THROWAWAY	THROWAWAY	THROWAWAY
Recmd. Face Area (sq. ft.) ⁽ⁱ⁾	4.0	4.0	4.0	4.0
REFRIGERANT	R-410	R-410	R-410	R-410
Charge (lbs.)	5.40	7.38	7.00	7.00
CHARGING SPECIFICATIONS				
Subcooling	10°	8°	6°	6°
GAS PIPE SIZE (in.)	1/2	1/2	1/2	1/2
DIMENSIONS	H X D X W	H X D X W	H X D X W	H X D X W
Crated (in.)	46 x 45 x 52	48 x 45 x 52	48 x 45 x 52	48 x 45 x 52
WEIGHT				
Shipping (lbs.) / Net (lbs.)	425 / 355	455 / 385	460 / 390	465 / 395

- ^(a) Rated in accordance with AHRI Standard 210/240. AHRI standard rating conditions are: 80 D.B.67 W.B. entering air to indoor coil. 95 D.B. entering air to outdoor coil.
- ^(b) Sound Power values are not adjusted for AHRI 270–95 tonal corrections.
- ^(c) Ratings shown are for elevations up to 2000 ft. For higher elevations reduce ratings at a rate of 4% per 1000 ft. elevation.
- ^(d) Convertible to LPG.
- ^(e) Convertible to LPG.
- ^(f) This value is approximate. For more precise value, see Unit Nameplate.
- ^(g) Standard Air — Dry Coil — Outdoor.
- ^(h) Based on U.S. Government Standard Tests.
- ⁽ⁱ⁾ Filters must be installed in return air stream. Square footages listed are based on 300 f.p.m. face velocity. If permanent filters are used size per manufacturer's recommendation with a clean resistance of 0.05" W.C.



Product Specifications

MODEL	4YCY5042A1090A	4YCY5048A1090A	4YCY5048A1115A	4YCY5060A1115A
RATED Volts/PH/Hz	208-230/1/60	208-230/1/60	208-230/1/60	208-230/1/60
Performance Cooling BTUH ^(a)	41000	48000	48000	57500
Indoor Airflow (CFM) (High)	1350	1540	1540	1950
Power Input (KW)	3.01	4.0	4.0	5.00
BTUH (Low)	NA	34800	34800	40500
Indoor Airflow (CFM) (Low)	NA	1120	1120	1325
Power Input	NA	2.58	2.58	3.2
EER/SEER (BTU/Watt-Hr.)	12.0 / 15.0	12.0 / 15.0	12.0 / 15.0	11.4 / 15.0
Sound Power Rating [dB(A)] ^(b)	71	71	71	73
PERFORMANCE HEATING^(c)				
Input BTUH-1st Stage (Natural Gas) ^(d)	72000	72000	92000	92000
Input BTUH-2nd Stage (Natural Gas) ^(e)	90000	90000	115000	115000
AFUE	81	81	81	81
Temp. Rise — Min/Max (°F)	30 / 60	30 / 60	40 / 70	30 / 60
Orifice Qty/Drill Sz. (Natural Gas)	3 / #37	3 / #37	3 / #32	3 / #32
POWER CONN. — V/Ph/Hz	208-230/1/60	208-230/1/60	208-230/1/60	208-230/1/60
Min. Brch. Cir. Ampacity ^(f)	28.6	34.2	34.2	44.4
Fuse Size — Max. (amps)	45	50	50	60
Fuse Size — Recmd. (amps)	45	50	50	60
COMPRESSOR	SCROLL	2-STAGE SCROLL	2-STAGE SCROLL	2-STAGE SCROLL
VOLTS/PH/HZ	208-230/1/60	208-230/1/60	208-230/1/60	208-230/1/60
R.L. Amps — L.R. Amps	16.7/109	21.2/104	21.2/104	28.8 / 152.9
OUTDOOR COIL — TYPE	SPINE-FIN	SPINE-FIN	SPINE-FIN	SPINE-FIN
Rows/F.P.I	2 / 24	2 / 24	2 / 24	2 / 24
Face Area (sq. ft.)	23.57	23.57	23.57	23.57
Tube Size (in.)	3/8	3/8	3/8	3/8
INDOOR COIL — TYPE	MCHE	PLATE FIN	PLATE FIN	PLATE FIN
Rows/F.P.I	2 / 16	4 / 15	4 / 15	4 / 15
Face Area (sq. ft.)	3.9	5.0	5.0	5.0
Tube Size Width (in.)	0.81	3/8	3/8	3/8
Refrigeration Control	EXPANSION VALVE	EXPANSION VALVE	EXPANSION VALVE	EXPANSION VALVE
Drain Conn. Size (in.)	3/4 FEMALE NPT	3/4 FEMALE NPT	3/4 FEMALE NPT	3/4 FEMALE NPT
OUTDOOR FAN — TYPE	PROPELLER	PROPELLER	PROPELLER	PROPELLER
DIA. (IN.)	28.2	28.2	28.2	28.2
DRIVE/NO. SPEEDS	DIRECT / 1	DIRECT / 1	DIRECT / 1	DIRECT / 1
CFM @ 0.0 in. w.g. ^(g)	4200	4200	4200	4700
Motor — HP/R.P.M	1/6 / 830	1/6 / 830	1/6 / 830	1/4 / 830
Volts/Ph/Hz	208-230/1/60	208-230/1/60	208-230/1/60	208-230/1/60
F.L. Amps/L.R Amps	0.9 / 1.65	0.9 / 1.65	0.9 / 1.65	1.4 / 3.37
INDOOR FAN — TYPE	CENTRIFUGAL	CENTRIFUGAL	CENTRIFUGAL	CENTRIFUGAL
Dia. x Width (in.)	11 X 10	11 X 10	11 X 10	11 X 10
Drive/No. Speeds	DIRECT / VARIABLE	DIRECT / VARIABLE	DIRECT / VARIABLE	DIRECT / VARIABLE
CFM @ 0.0 in. w.g. ^(h)	SEE FAN PERFORMANCE TABLE	SEE FAN PERFORMANCE TABLE	SEE FAN PERFORMANCE TABLE	SEE FAN PERFORMANCE TABLE
Motor — HP/R.P.M.	3/4 / VARIABLE	3/4 / VARIABLE	3/4 / VARIABLE	1 / VARIABLE
Volts/Ph/Hz	208-230/1/60	208-230/1/60	208-230/1/60	208-230/1/60
F.L. Amps	6.8	6.8	6.8	6.9
COMBUSTION FAN — TYPE	CENTRIFUGAL	CENTRIFUGAL	CENTRIFUGAL	CENTRIFUGAL
Drive/No. Speeds	DIRECT / 2	DIRECT / 2	DIRECT / 2	DIRECT / 2



Product Specifications

MODEL	4YCY5042A1090A	4YCY5048A1090A	4YCY5048A1115A	4YCY5060A1115A
Motor — HP/R.P.M.	1/20 / 3350/2600	1/20 / 3350/2600	1/20 / 3350/2600	1/20 / 3350/2600
Volts/Ph/Hz	208-230/1/60	208-230/1/60	208-230/1/60	208-230/1/60
FLA	0.34	0.34	0.34	0.34
FILTER / FURNISHED	NO	NO	NO	NO
Type Recommended	THROWAWAY	THROWAWAY	THROWAWAY	THROWAWAY
Recmd. Face Area (sq. ft.) ⁽ⁱ⁾	5.3	5.3	5.3	5.3
REFRIGERANT	R-410	R-410	R-410	R-410
Charge (lbs.)	8.20	8.77	8.77	9.30
CHARGING SPECIFICATIONS				
Subcooling	10°	10°	10°	11°
GAS PIPE SIZE (in.)	1/2	1/2	1/2	1/2
DIMENSIONS	H X D X W	H X D X W	H X D X W	H X D X W
Crated (in.)	52 x 47 x 61	52 x 47 x 61	52 x 47 x 61	52 x 47 x 61
WEIGHT				
Shipping (lbs.) / Net (lbs.)	593 / 508	616 / 531	622 / 537	633 / 548

^(a) Rated in accordance with AHRI Standard 210/240. AHRI standard rating conditions are: 80 D.B.67 W.B. entering air to indoor coil, 95 D.B. entering air to outdoor coil.

^(b) Sound Power values are not adjusted for AHRI 270–95 tonal corrections.

^(c) Ratings shown are for elevations up to 2000 ft. For higher elevations reduce ratings at a rate of 4% per 1000 ft. elevation.

^(d) Convertible to LPG.

^(e) Convertible to LPG.

^(f) This value is approximate. For more precise value, see Unit Nameplate.

^(g) Standard Air — Dry Coil — Outdoor.

^(h) Based on U.S. Government Standard Tests.

⁽ⁱ⁾ Filters must be installed in return air stream. Square footages listed are based on 300 f.p.m. face velocity. If permanent filters are used size per manufacturer's recommendation with a clean resistance of 0.05" W.C.



Indoor Fan Performance

Table 1. Horizontal Airflow

4YCY5024A1		EXTERNAL STATIC PRESSURE (IN. WG)										
MOTOR SPEED		0.0	0.1	0.2	0.3	0.4	0.5	0.6	0.7	0.8	0.9	1.0
COOLING – LOW	WATTS	–	75	99	122	145	168	189	211	230	250	–
	CFM	–	701	710	719	711	702	691	680	667	655	–
COOLING – MED	WATTS	–	97	124	150	177	204	228	253	275	298	–
	CFM	–	788	802	816	812	809	798	787	774	762	–
COOLING – HIGH	WATTS	–	123	154	184	213	242	271	301	324	348	–
	CFM	–	874	891	907	908	910	900	891	875	860	–

Table 2. Down Airflow

4YCY5024A1		EXTERNAL STATIC PRESSURE (IN. WG)										
MOTOR SPEED		0.0	0.1	0.2	0.3	0.4	0.5	0.6	0.7	0.8	0.9	1.0
COOLING – LOW	WATTS	–	80	100	115	136	164	191	209	242	261	–
	CFM	–	714	717	714	701	698	696	680	681	676	–
COOLING – MED	WATTS	–	90	108	131	155	177	202	231	272	315	–
	CFM	–	802	799	813	815	816	808	801	796	782	–
COOLING – HIGH	WATTS	–	126	156	188	217	244	270	291	330	360	–
	CFM	–	879	896	914	914	913	898	893	905	907	–

Table 3. AIRFLOW WITH AUXILIARY HEAT (CFM) Horizontal or Downflow from .2 to .6" wg.

4YCY5024A1				
SWITCH SETTINGS		SELECTION	NOMINAL AIRFLOW	
			LOW STAGE	HIGH STAGE
7 – OFF	8 – OFF	A	600	850
7 – ON	8 – OFF	B	625	900
7 – OFF	8 – ON	C	650	925
7 – ON	8 – ON	D	700	975

Table 4. Horizontal Airflow

4YCY5030A1		EXTERNAL STATIC PRESSURE (IN. WG)										
MOTOR SPEED		0.0	0.1	0.2	0.3	0.4	0.5	0.6	0.7	0.8	0.9	1.0
COOLING – LOW	WATTS	–	115	145	174	202	231	259	287	311	334	–
	CFM	–	848	863	878	879	879	870	861	847	833	–
COOLING – MED	WATTS	–	160	191	223	253	284	316	348	377	405	–
	CFM	–	969	979	989	992	996	991	985	973	961	–
COOLING – HIGH	WATTS	–	209	244	278	312	347	380	413	448	483	–
	CFM	–	1076	1086	1095	1099	1103	1100	1097	1088	1080	–

Table 5. Down Airflow

4CY5030A1		EXTERNAL STATIC PRESSURE (IN. WG)										
MOTOR SPEED		0.0	0.1	0.2	0.3	0.4	0.5	0.6	0.7	0.8	0.9	1.0
COOLING — LOW	WATTS	—	115	141	170	197	227	256	281	290	272	—
	CFM	—	838	845	854	851	848	834	808	754	670	—
COOLING — MED	WATTS	—	161	188	218	250	284	319	349	363	352	—
	CFM	—	955	959	962	959	957	946	935	917	897	—
COOLING — HIGH	WATTS	—	204	235	265	295	332	384	478	-	-	—
	CFM	—	1045	1048	1052	1054	1060	1064	1067	-	-	—

Table 6. AIRFLOW WITH AUXILIARY HEAT (CFM) Horizontal or Downflow from .2 to .6" wg.

4CY5030A1					
SWITCH SETTINGS		SELECTION		NOMINAL AIRFLOW	
				LOW STAGE	HIGH STAGE
7 — OFF	8 — OFF	A		725	1000
7 — ON	8 — OFF	B		775	1075
7 — OFF	8 — ON	C		850	1150
7 — ON	8 — ON	D		925	1250

Table 7. Horizontal Airflow

4CY5036A		EXTERNAL STATIC PRESSURE (IN. WG)										
MOTOR SPEED		0.0	0.1	0.2	0.3	0.4	0.5	0.6	0.7	0.8	0.9	1.0
COOLING — LOW	WATTS	162	173	197	226	256	285	313	343	383	440	525
	CFM	1058	1062	1063	1063	1062	1060	1057	1053	1048	1042	1033
COOLING — MED	WATTS	179	230	263	296	366	366	403	431	450	485	555
	CFM	1179	1196	1204	1206	1203	1203	1199	1194	1185	1169	1144
COOLING — HIGH	WATTS	318	336	365	399	469	469	502	533	563	—	—
	CFM	1390	1376	1370	1366	1354	1354	1349	1351	1369	—	—

Table 8. Down Airflow

4CY5036A		EXTERNAL STATIC PRESSURE (IN. WG)										
MOTOR SPEED		0.0	0.1	0.2	0.3	0.4	0.5	0.6	0.7	0.8	0.9	1.0
COOLING — LOW	WATTS	169	182	210	243	273	301	331	370	433	480	530
	CFM	1025	1062	1068	1063	1060	1061	1064	1055	1015	975	990
COOLING — MED	WATTS	225	256	283	315	348	381	414	449	484	522	575
	CFM	1187	1201	1203	1201	1198	1197	1194	1184	1157	1165	1151
COOLING — HIGH	WATTS	339	357	390	424	455	483	516	571	669	—	—
	CFM	1391	1377	1377	1375	1366	1352	1344	1360	1340	—	—

Table 9. AIRFLOW WITH AUXILIARY HEAT (CFM) Horizontal or Downflow from .2 to .6" wg.

4CY5036A					
SWITCH SETTINGS		SELECTION		NOMINAL AIRFLOW	
				LOW STAGE	HIGH STAGE
7 — OFF	8 — OFF	A		725	1000
7 — ON	8 — OFF	B		775	1075



Indoor Fan Performance

Table 10. Horizontal Airflow

4YCY5042A1		EXTERNAL STATIC PRESSURE (IN. WG)										
MOTOR SPEED		0.0	0.1	0.2	0.3	0.4	0.5	0.6	0.7	0.8	0.9	1.0
COOLING — LOW	WATTS	—	160	185	214	245	277	308	339	368	396	423
	CFM	—	1206	1211	1213	1215	1215	1214	1212	1208	1201	1190
COOLING — MED	WATTS	—	231	261	292	325	359	394	431	467	503	536
	CFM	—	1389	1398	1405	1409	1410	1408	1403	1399	1396	1399
COOLING — HIGH	WATTS	—	326	362	393	421	450	482	517	556	597	—
	CFM	—	1582	1592	1592	1587	1577	1566	1557	1553	1556	—

Table 11. Down Airflow

4YCY5042A1		EXTERNAL STATIC PRESSURE (IN. WG)										
MOTOR SPEED		0.0	0.1	0.2	0.3	0.4	0.5	0.6	0.7	0.8	0.9	1.0
COOLING — LOW	WATTS	—	176	203	232	262	294	325	339	368	396	423
	CFM	—	1207	1214	1217	1216	1213	1208	1212	1208	1201	1190
COOLING — MED	WATTS	—	253	290	323	355	386	420	431	467	503	536
	CFM	—	1405	1411	1413	1412	1407	1399	1403	1399	1396	1399
COOLING — HIGH	WATTS	—	367	379	409	446	485	556	517	556	597	—
	CFM	—	1599	1577	1570	1569	1566	1550	1557	1553	1556	—

Table 12. AIRFLOW WITH AUXILIARY HEAT (CFM) Horizontal or Downflow from .2 to .6" wg.

4YCY5042A1				
SWITCH SETTINGS		SELECTION	NOMINAL AIRFLOW	
			LOW STAGE	HIGH STAGE
7 — OFF	8 — OFF	A	1075	1375
7 — ON	8 — OFF	B	1100	1450
7 — OFF	8 — ON	C	1150	1500
7 — ON	8 — ON	D	1200	1575

Table 13. Horizontal Airflow

4YCY5048A		EXTERNAL STATIC PRESSURE (IN. WG)										
MOTOR SPEED		0.0	0.1	0.2	0.3	0.4	0.5	0.6	0.7	0.8	0.9	1.0
COOLING — LOW	LOW	—	954	973	977	973	966	957	950	944	—	—
	HIGH	—	1363	1390	1396	1390	1379	1368	1358	1349	—	—
COOLING — MED	LOW	—	1121	1106	1104	1106	1108	1108	1104	1097	—	—
	HIGH	—	1601	1580	1577	1580	1583	1583	1577	1567	—	—
COOLING — HIGH	LOW	—	1223	1254	1268	1271	1268	1264	1261	1258	—	—
	HIGH	—	1747	1792	1811	1816	1812	1806	1801	1797	—	—

Table 14. Down Airflow

4CY5048A		EXTERNAL STATIC PRESSURE (IN. WG)										
MOTOR SPEED		0.0	0.1	0.2	0.3	0.4	0.5	0.6	0.7	0.8	0.9	1.0
COOLING — LOW	LOW	—	948	977	977	970	969	975	979	962	—	—
	HIGH	—	1354	1396	1396	1386	1384	1393	1399	1375	—	—
COOLING — MED	LOW	—	1102	1106	1109	1113	1116	1119	1120	1118	—	—
	HIGH	—	1574	1580	1585	1589	1594	1599	1601	1597	—	—
COOLING — HIGH	LOW	—	1295	1277	1272	1273	1274	1273	1272	1273	—	—
	HIGH	—	1851	1824	1817	1818	1820	1819	1817	1819	—	—

Table 15. AIRFLOW WITH AUXILIARY HEAT (CFM) Horizontal or Downflow from .2 to .6" wg.

4CY5048A					
SWITCH SETTINGS		SELECTION		NOMINAL AIRFLOW	
				LOW STAGE	HIGH STAGE
7 — OFF	8 — OFF	A		1075	1375
7 — ON	8 — OFF	B		1100	1450
7 — OFF	8 — ON	C		1150	1500
7 — ON	8 — ON	D		1200	1575

Table 16. Horizontal Airflow

4CY5060A1		EXTERNAL STATIC PRESSURE (IN. WG)										
MOTOR SPEED		0.0	0.1	0.2	0.3	0.4	0.5	0.6	0.7	0.8	0.9	1.0
COOLING — LOW	LOW	—	1163	1238	1259	1256	1246	1240	1237	1230	—	—
	HIGH	—	1662	1768	1799	1794	1780	1771	1767	1757	—	—
COOLING — HIGH	LOW	—	1443	1427	1422	1422	1423	1422	1418	1410	—	—
	HIGH	—	2062	2038	2031	2032	2034	2032	2025	2015	—	—

Table 17. Down Airflow

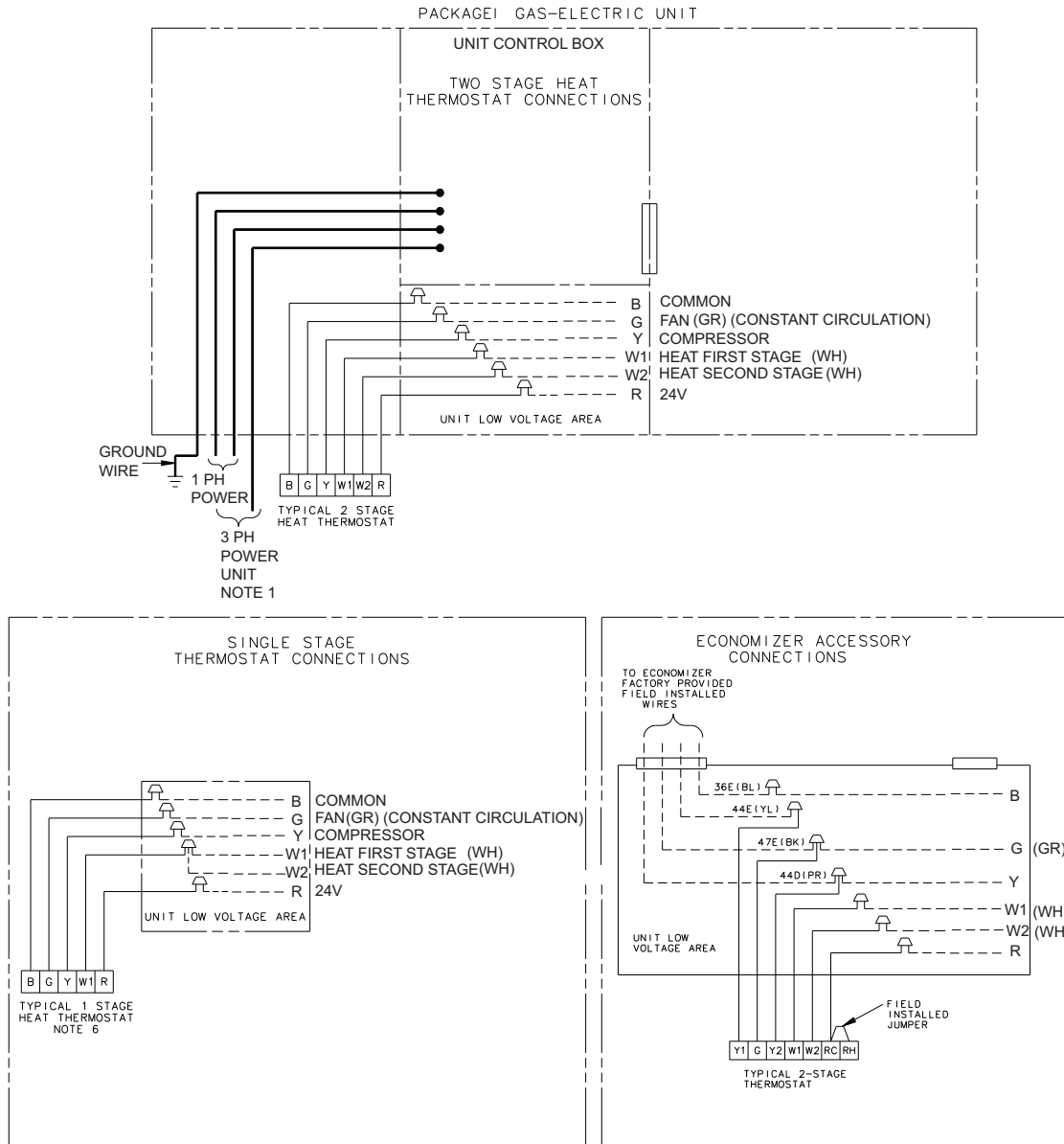
4CY5060A1		EXTERNAL STATIC PRESSURE (IN. WG)										
MOTOR SPEED		0.0	0.1	0.2	0.3	0.4	0.5	0.6	0.7	0.8	0.9	1.0
COOLING — LOW	LOW	—	1259	1219	1208	1207	1206	1199	1188	1185	—	—
	HIGH	—	1799	1742	1726	1725	1723	1712	1698	1692	—	—
COOLING — HIGH	LOW	—	1410	1393	1386	1384	1383	1380	1368	1344	—	—
	HIGH	—	2015	1990	1980	1977	1976	1971	1955	1920	—	—

Table 18. AIRFLOW WITH AUXILIARY HEAT (CFM) Horizontal or Downflow from .2 to .6" wg.

4CY5060A1					
SWITCH SETTINGS		SELECTION		NOMINAL AIRFLOW	
				LOW STAGE	HIGH STAGE
7 — OFF	8 — OFF	A		1375	1800
7 — ON	8 — OFF	B		1450	1900

Field Wiring

Figure 1. 4YCY5024-042 Field Wiring Diagram



NOTES:

1. FUSED DISCONNECT SIZE, POWER WIRING AND GROUNDING OF EQUIPMENT MUST COMPLY WITH CODES.
2. BE SURE POWER SUPPLY AGREES WITH EQUIPMENT AND HEATER NAMEPLATE.
3. LOW VOLTAGE WIRING TO BE 18 AWG MINIMUM CONDUCTOR.
4. SEE UNIT DIAGRAM FOR ELECTRICAL CONNECTION DETAILS.
5. THE THERMOSTAT ON THE GAS/ELECTRIC UNIT MUST PROVIDE A "G" SIGNAL IN THE COOLING MODE ONLY. DURING THE HEATING MODE THE FAN WILL BE ENERGIZED BY THE SYSTEM.
6. FOR SINGLE STAGE THERMOSTATS JUMPER W1 AND W2 TOGETHER. SECOND STAGE HEAT WILL BEGIN 10 MINUTES AFTER FIRST STAGE.

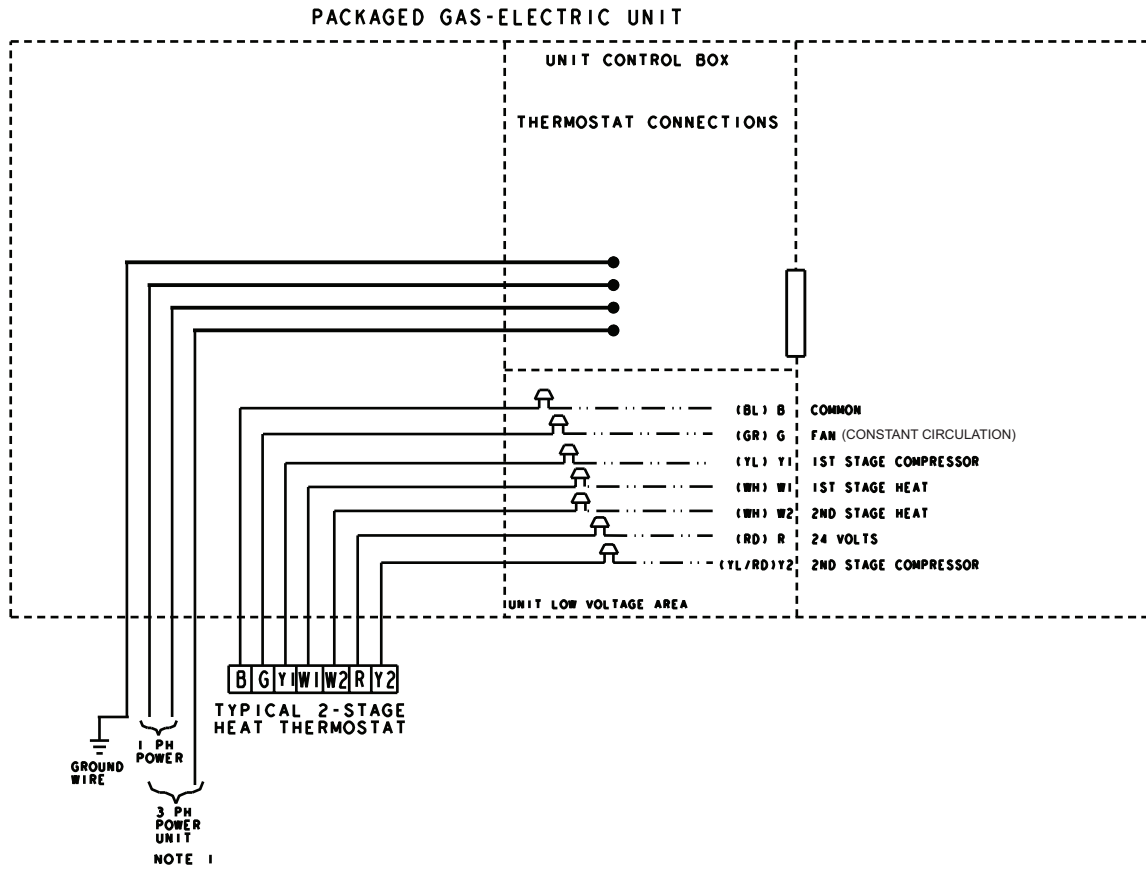
INTER-COMPONENT WIRING

- 24V. } FACTORY WIRING
- LINE V. }
- ===== 24V. } FIELD WIRING
- ===== LINE V. }

WIRE COLOR DESIGNATION			
ABBR	COLOR	ABBR	COLOR
BK	BLACK	PR	PURPLE
BL	BLUE	RD	RED
BR	BROWN	WH	WHITE
GR	GREEN	YL	YELLOW
OR	ORANGE		

C 757192I2

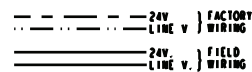
Figure 2. 4YCY5048-060 Field Wiring Diagram



NOTES:

1. FUSED DISCONNECT SIZE, POWER WIRING AND GROUNDING OF EQUIPMENT MUST COMPLY WITH CODES.
2. BE SURE POWER SUPPLY AGREES WITH EQUIPMENT AND HEATER NAMEPLATE.
3. LOW VOLTAGE WIRING TO BE 18 AWG MINIMUM CONDUCTOR.
4. SEE UNIT DIAGRAM FOR ELECTRICAL CONNECTION DETAILS.
5. THE THERMOSTAT ON THE GAS/ELECTRICAL UNIT MUST PROVIDE A "G" SIGNAL IN THE COOLING MODE ONLY. DURING THE HEATING MODE THE FAN WILL BE ENERGIZED BY THE SYSTEM.
6. FOR SINGLE STAGE THERMOSTATS JUMPER W1 AND W2 TOGETHER. SECOND STAGE HEAT WILL BEGIN 10 MINUTES AFTER FIRST STAGES.

INTER-COMPONENT WIRING

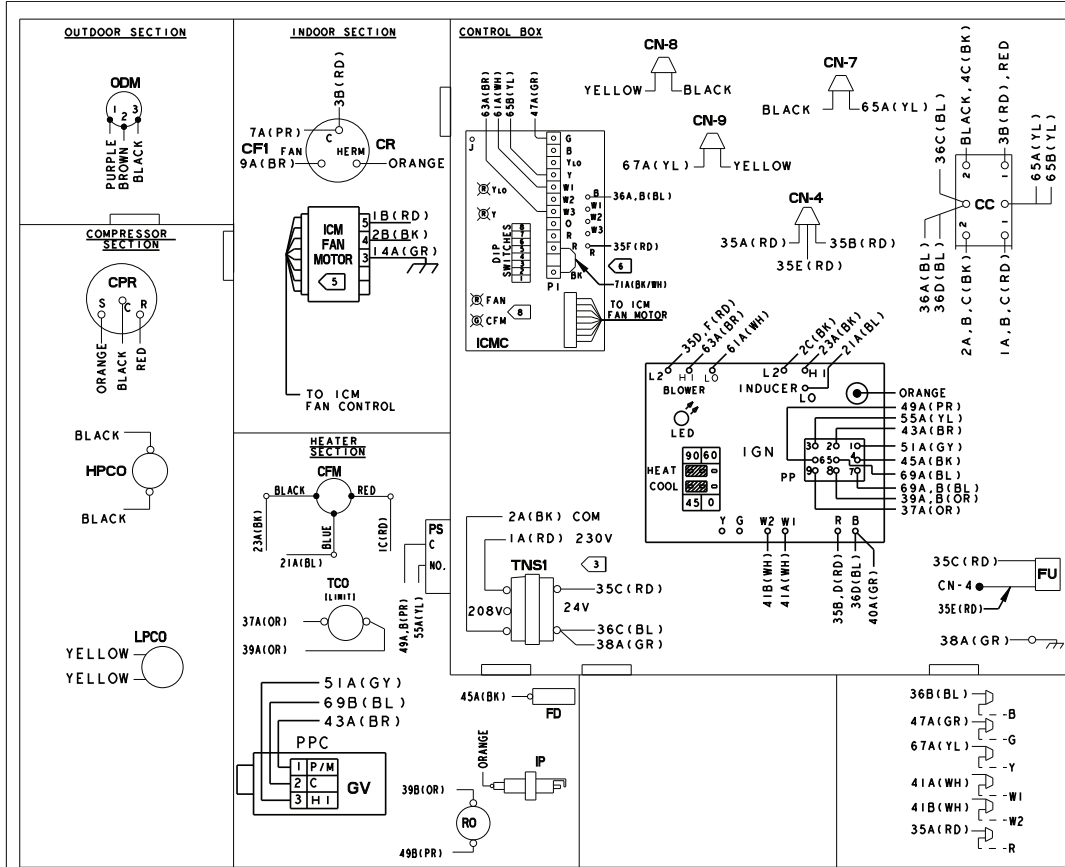


WIRE COLOR DESIGNATION

WIRE COLOR DESIGNATION			
ABBR	COLOR	ABBR	COLOR
BK	BLACK	PR	PURPLE
BL	BLUE	RD	RED
BR	BROWN	WH	WHITE
GR	GREEN	YL	YELLOW
OR	ORANGE		

Wiring

Figure 3. Wiring Diagram - 4CY5024-5042

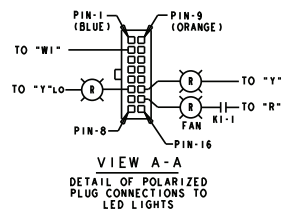


NOTES:

1. CONNECTIONS SHOWN ARE FOR A TYPICAL THERMOSTAT. SEE SCHEMATIC SUPPLIED WITH THERMOSTAT FOR PROPER CONNECTIONS. LOW VOLTAGE WIRING TO UNIT MAY BE NEC CLASS 2 AND MUST BE A MIN. OF 18 A.W.G. SET THERMOSTAT HEAT ANTICIPATOR TO .3 AMPS. MAXIMUM ADDITIONAL EXTERNAL LOAD (PILOT DUTY) BETWEEN "B" AND "R" OF 0.5 AMPS. 24 VAC IS AVAILABLE IN THE COOLING MODE ONLY.
2. FOR 208 VOLT OPERATION MAKE THE FOLLOWING WIRING CHANGES: A: AT TNS1 REMOVE 1A(RD) WIRE AND CONNECT TO 208V TERMINAL ON TRANSFORMER.
3. IF ANY OF THE ORIGINAL WIRE AS SUPPLIED IN THIS UNIT MUST BE REPLACED, REPLACE IT WITH APPLIANCE WIRING MAT'L RATED AT 105° C.
4. "T" TERMINAL IS NOT CONNECTED WHEN AN ELECTRONIC THERMOSTAT IS USED. IF OPTIONAL HUMIDISTAT ACCESSORY IS USED, ON THE ICM BOARD CUT THE 71A(BK/WH) JUMPER AND CONNECT THE HUMIDISTAT BETWEEN TERMINALS.

24 VOLT TRANSFORMER FUSE REPLACEMENT
FU 300 VOLT TYPE GMD-3.2 AMP

WIRE COLOR	DESIGNATION	WIRE COLOR	DESIGNATION
BK	BLACK	PR	PURPLE
BL	BLUE	RD	RED
BR	BROWN	WH	WHITE
GR	GREEN	YL	YELLOW
OR	ORANGE		



ICMC DIP SWITCH SETTINGS

DIP SWITCH SETTINGS				COOLING/HEAT PUMP CFM				NOMINAL AIRFLOW
SW 1	SW 2	SW 3	SW 4	4CY5024	4CY5030	4CY5036	4CY5042	
OFF	OFF	OFF	ON	350 CFM/TON	350 CFM/TON	350 CFM/TON	350 CFM/TON	**
OFF	OFF	OFF	OFF	400 CFM/TON	400 CFM/TON	400 CFM/TON	400 CFM/TON	
OFF	OFF	ON	OFF	450 CFM/TON	450 CFM/TON	450 CFM/TON	450 CFM/TON	**
ON	ON	OFF	OFF	RATED CFM/TON	RATED CFM/TON	RATED CFM/TON	RATED CFM/TON	
FAN OFF-DELAY OPTIONS				FAN OFF-DELAY OPTIONS				NOMINAL
SW 5	SW 6			NONE	NONE	NONE	NONE	
OFF	OFF			45 SECONDS	45 SECONDS	45 SECONDS	45 SECONDS	100% NOMINAL**
OFF	ON			90 SECONDS	90 SECONDS	90 SECONDS	90 SECONDS	
ENHANCED AIRFLOW				ENHANCED AIRFLOW				ENHANCED
SW 7	SW 8			HEATING AIRFLOW	HEATING AIRFLOW	HEATING AIRFLOW	HEATING AIRFLOW	
OFF	OFF			850 CFM	1100 CFM	350 CFM/TON	1500 CFM	**
ON	OFF			900 CFM	1175 CFM	400 CFM/TON	1575 CFM	
OFF	ON			925 CFM	1275 CFM		1625 CFM	**
ON	ON			975 CFM	1375 CFM		1700 CFM	

DEVICE	DESCRIPTION	LINE
CC	COMPRESSOR CONTACTOR COIL	50
CFI	OUTDOOR FAN CAPACITOR	15
CN	CONNECTOR OR WIRE NUT	
CFM	COMBUSTION FAN MOTOR	24
CPR	COMPRESSOR	14
CR	COMPRESSOR RUN CAPACITOR	14
FD	FLAME DETECTOR	37
RO	ROLLOUT LIMIT	34
GV	GAS VALVE	31
IDM	INDOOR FAN MOTOR	24
IGN	IGNITION CONTROL MODULE	27, 40
IOL	INTERNAL OVERLOAD	14
IP	IGNITOR PROBE	38
LED	IGN DIAGNOSTICS INDICATOR	34
ODM	OUTDOOR FAN MOTOR	20
PP	POLARIZED PLUG	31, 37
PS	PRESSURE SWITCH	34
TCO	TEMPERATURE LIMIT SWITCH	34
TNS1	CONTROL POWER TRANSFORMER	28
FU	FUSE	33
HPCO	HIGH PRESSURE SWITCH	50
LPCO	LOW PRESSURE SWITCH	50

** FACTORY SETTING.
AT CONTINUOUS FAN SETTING ("G" ONLY) AIRFLOW VALUES ARE APPROXIMATELY 50% OF LISTED VALUE.
THE HEAT PUMP FAN OFF-DELAY IS THE SAME AS THE COOLING MODE.

Drw. D758052P01

CAUTION-NOT SUITABLE FOR USE ON SYSTEMS EXCEEDING 150 VOLTS TO GROUND.
ATTENTION: NE CONVIENT PAS POUR LES INSTALLATIONS DE PLUS DE 150V. A TERRE.

UNIT FACTORY WIRE FOR 230V
SEE WIRING DIAGRAM NOTES FOR REQUIRED WIRING CHANGES WHEN INSTALLED ON A 208V POWER SUPPLY.

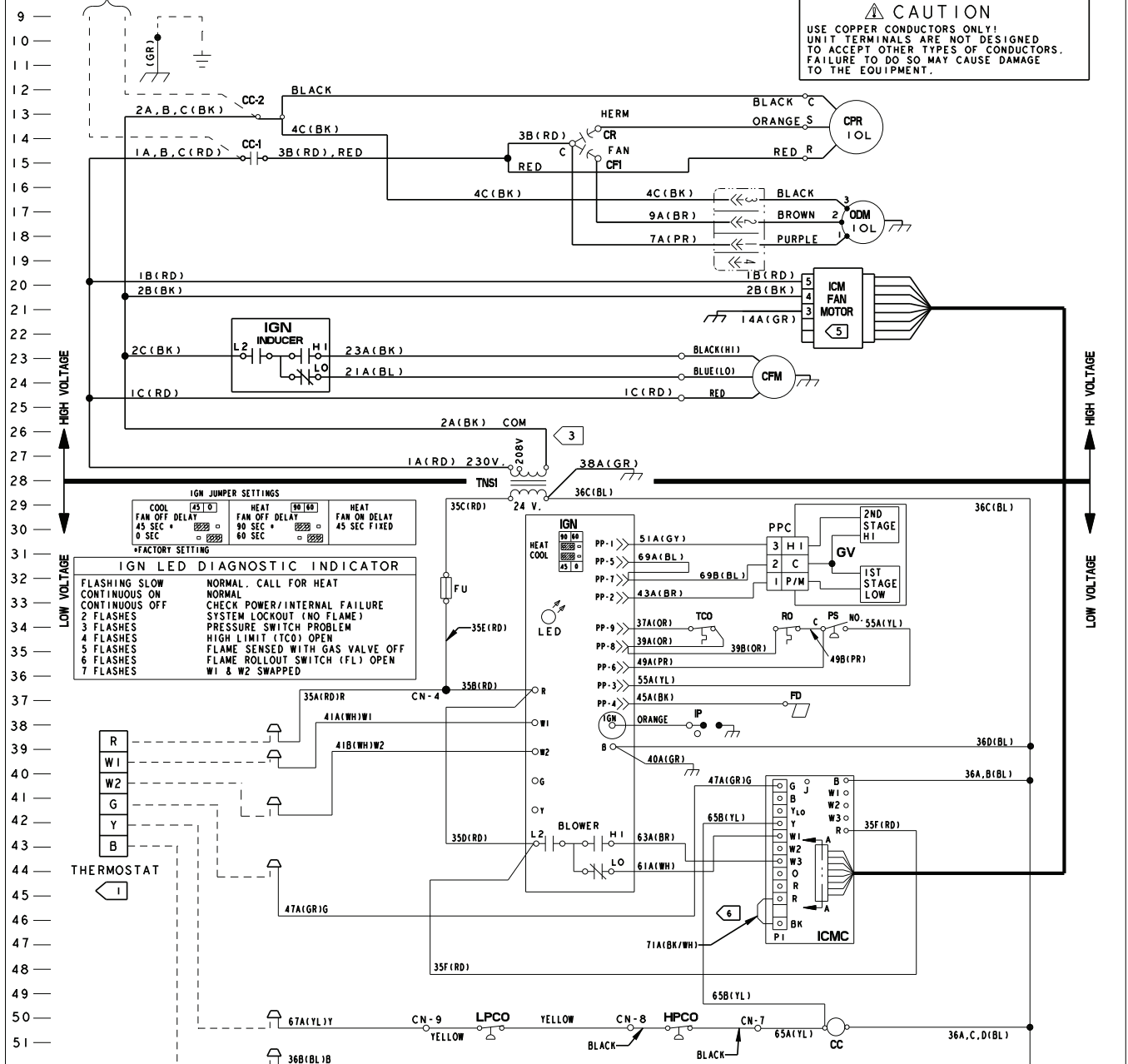
MODELS	
4CY5024A	I
4CY5030A	I
4CY5036A	I
4CY5042A	I

WARNING
HAZARDOUS VOLTAGE!
DISCONNECT ALL ELECTRIC POWER INCLUDING REMOTE DISCONNECTS BEFORE SERVICING.
FAILURE TO DISCONNECT POWER SUPPLY BEFORE SERVICING CAN CAUSE SEVERE PERSONAL INJURY OR DEATH.

AVERTISSEMENT
VOLTAGE HASARDEUX!
DECONNECTEZ TOUTES LES SOURCES ELECTRIQUES INCLUANT LES DISJONCTEURS SITUES A DISTANCE AVANT D'EFFECTUER L'ENTRETIEN. FAUTE DE DECONNECTER LA SOURCE ELECTRIQUE AVANT D'EFFECTUER L'ENTRETIEN PEUT ENTRAINER DES BLESSURES CORPORELLES SEVERES OU LA MORT.

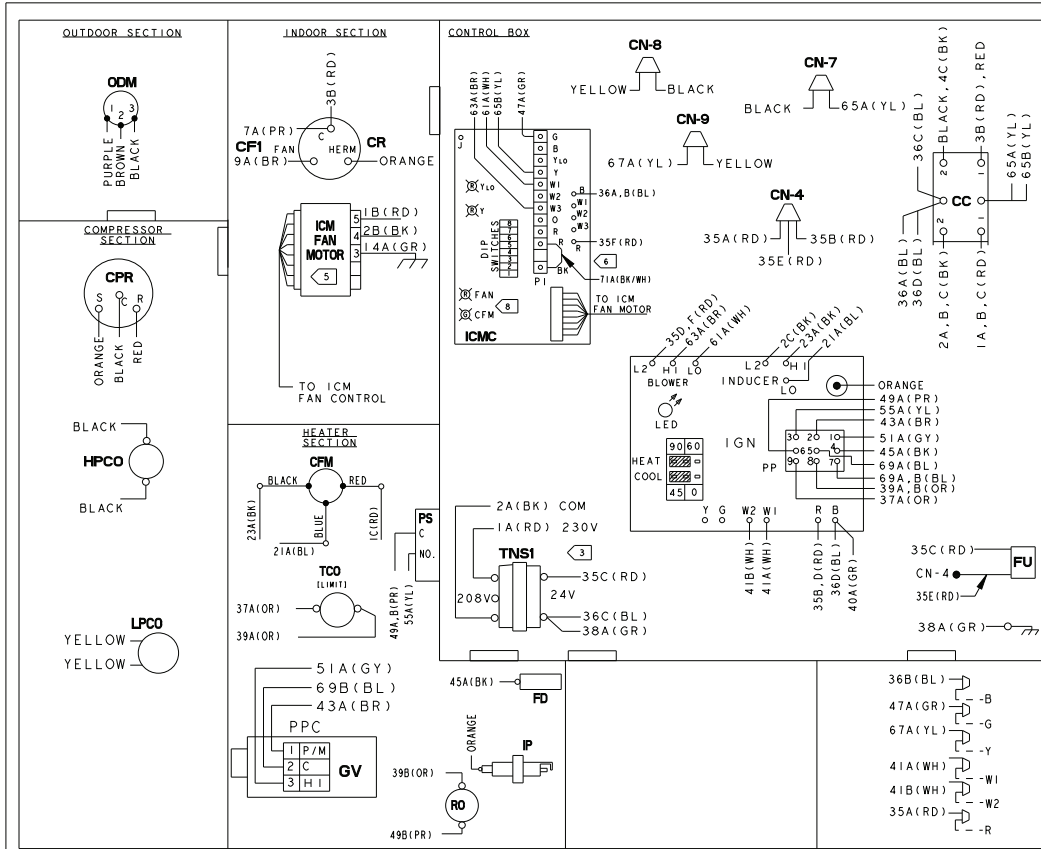
CAUTION
USE COPPER CONDUCTORS ONLY!
UNIT TERMINALS ARE NOT DESIGNED TO ACCEPT OTHER TYPES OF CONDUCTORS. FAILURE TO DO SO MAY CAUSE DAMAGE TO THE EQUIPMENT.

POWER SUPPLY PER LOCAL CODES
SEE NAMEPLATE FOR LINE VOLTAGE.



PRINTED FROM D758052P01

Figure 4. Wiring Diagram - 4YCY5036

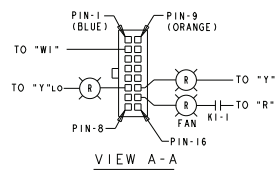


NOTES:

- CONNECTIONS SHOWN ARE FOR A TYPICAL THERMOSTAT. SEE SCHEMATIC SUPPLIED WITH THERMOSTAT FOR PROPER CONNECTIONS. LOW VOLTAGE WIRING TO UNIT MAY BE NEC CLASS 2 AND MUST BE A MIN. OF 18 A.W.G. SET THERMOSTAT HEAT ANTICIPATOR TO .3 AMPS.
- MAXIMUM ADDITIONAL EXTERNAL LOAD (PILOT DUTY) BETWEEN "B" AND "R" OF 0.5 AMPS, 24 VAC IS AVAILABLE IN THE COOLING MODE ONLY.
- FOR 208 VOLT OPERATION MAKE THE FOLLOWING WIRING CHANGES:
A: AT TNS1 REMOVE 1A(RD) WIRE AND CONNECT TO 208V TERMINAL ON TRANSFORMER.
- IF ANY OF THE ORIGINAL WIRE AS SUPPLIED IN THIS UNIT MUST BE REPLACED, REPLACE IT WITH APPLIANCE WIRING MAT'L RATED AT 105° C.
- "T" TERMINAL IS NOT CONNECTED WHEN AN ELECTRONIC THERMOSTAT IS USED.
- IF OPTIONAL HUMIDISTAT ACCESSORY IS USED, ON THE ICMC BOARD CUT THE 71A(BK/WH) JUMPER AND CONNECT THE HUMIDISTAT BETWEEN TERMINALS.

24 VOLT TRANSFORMER FUSE REPLACEMENT
FU 300 VOLT TYPE GMD-3.2 AMP

ABBR	COLOR	ABBR	COLOR
BK	BLACK	PR	PURPLE
BL	BLUE	RD	RED
BR	BROWN	WH	WHITE
GR	GREEN	YL	YELLOW
OR	ORANGE		



ICMC DIP SWITCH SETTINGS

DIP SWITCH SETTINGS				COOLING / HEAT PUMP CFM	NOMINAL AIRFLOW
SW 1	SW 2	SW 3	SW 4	350 CFM/TON	
OFF	OFF	OFF	ON	400 CFM/TON	**
ON	ON	OFF	OFF	RATED CFM/TON	
FAN OFF-DELAY OPTIONS					
SW 5	SW 6			NONE	NOMINAL
ON	OFF			45 SECONDS	100% NOMINAL**
OFF	ON			90 SECONDS	50 ± NOMINAL
ON	ON			ENHANCED	ENHANCED
HEATING AIRFLOW					
SW 7	SW 8			350 CFM/TON	
OFF	OFF			400 CFM/TON	**

** FACTORY SETTING.
AT CONTINUOUS FAN SETTING ("G" ONLY) AIRFLOW VALUES ARE APPROXIMATELY 50% OF LISTED VALUE. THE HEAT PUMP FAN OFF-DELAY IS THE SAME AS THE COOLING MODE.

DEVICE	DESCRIPTION	LINE
CC	COMPRESSOR CONTACTOR COIL	50
CF1	OUTDOOR FAN CAPACITOR	15
CN	CONNECTOR OR WIRE NUT	
CFM	COMBUSTION FAN MOTOR	24
CPR	COMPRESSOR	14
CR	COMPRESSOR RUN CAPACITOR	14
FD	FLAME DETECTOR	37
RO	ROLLOUT LIMIT	34
GV	GAS VALVE	31
ICM	INDOOR FAN MOTOR	24
IGN	IGNITION CONTROL MODULE	27, 40
IOL	INTERNAL OVERLOAD	14
IP	IGNITOR PROBE	38
LED	IGN DIAGNOSTICS INDICATOR	34
ODM	OUTDOOR FAN MOTOR	20
PP	POLARIZED PLUG	31-37
PS	PRESSURE SWITCH	34
TCO	TEMPERATURE LIMIT SWITCH	34
TNS1	CONTROL POWER TRANSFORMER	28
FU	FUSE	33
HPCO	HIGH PRESSURE SWITCH	50
LPCO	LOW PRESSURE SWITCH	50

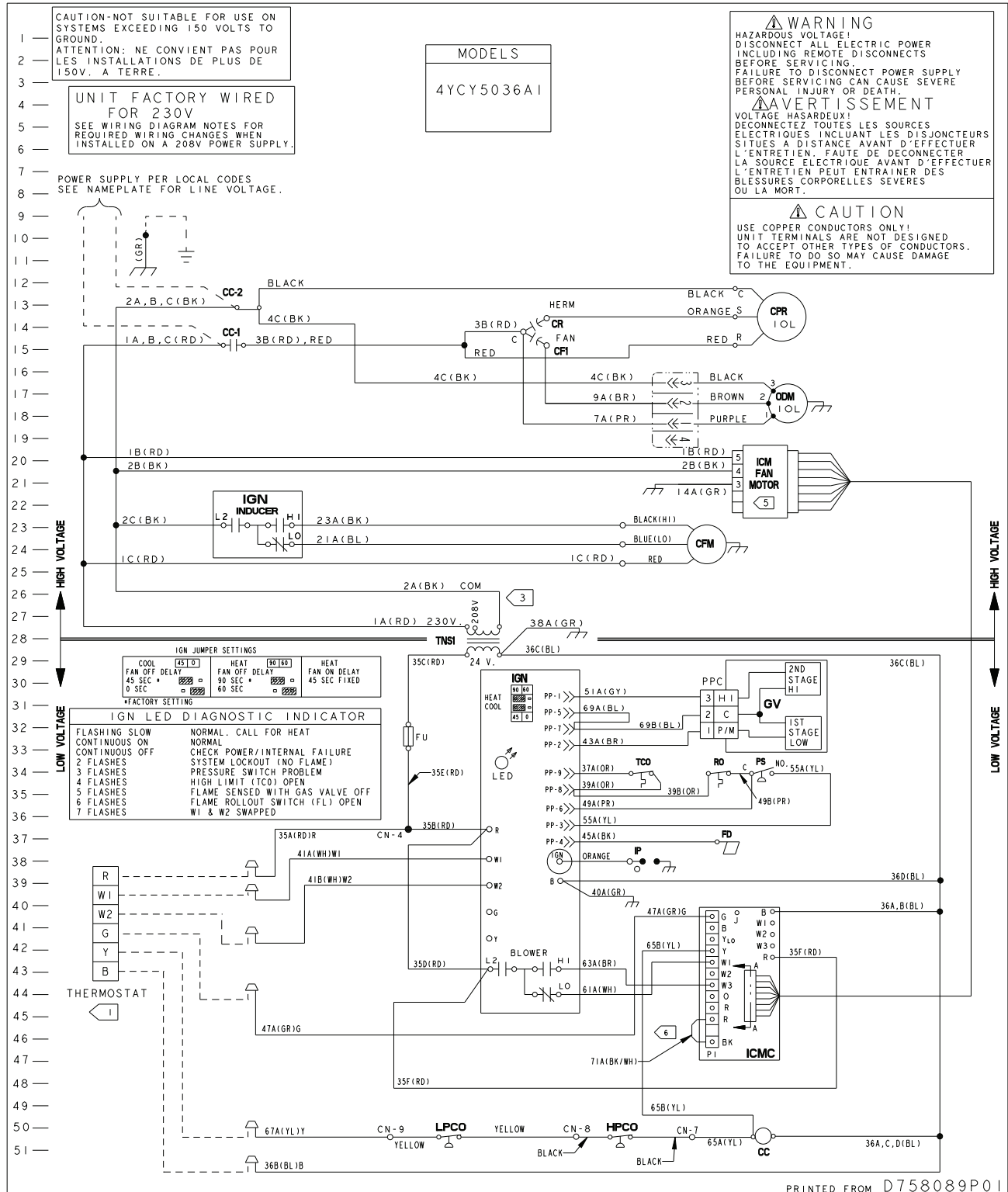
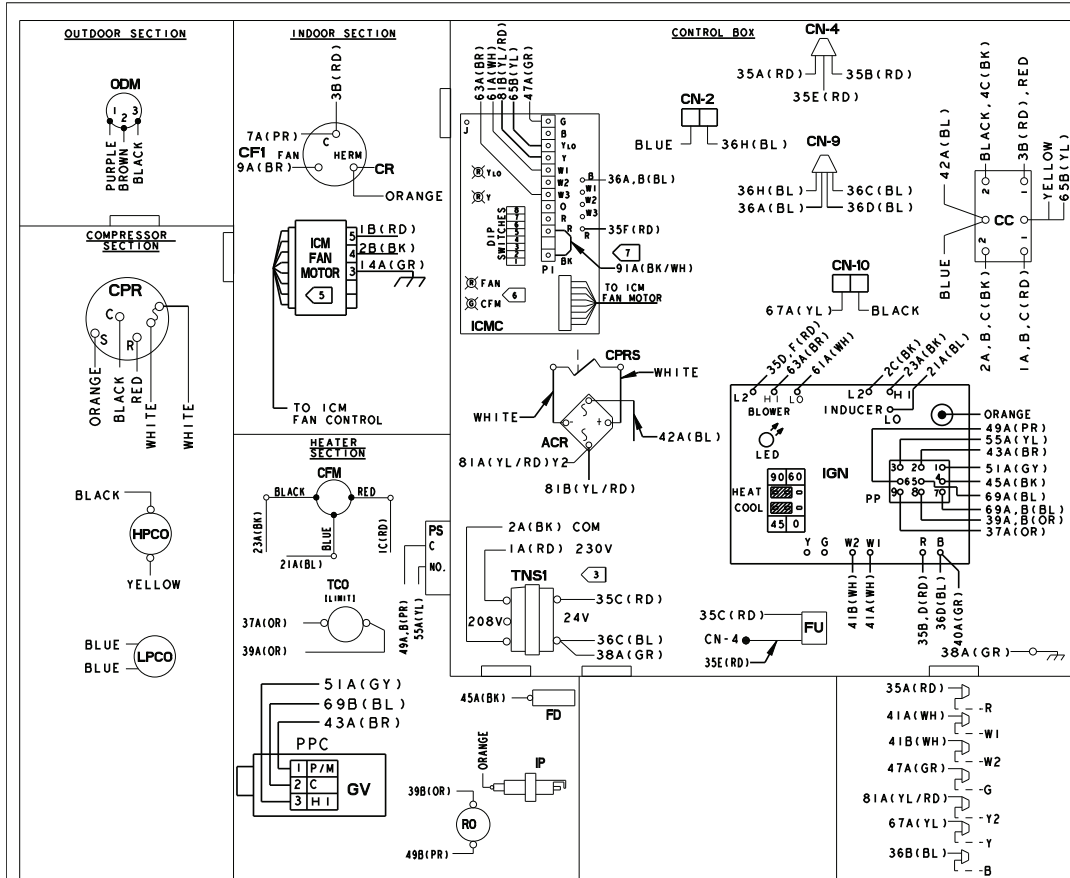


Figure 5. Wiring Diagram - 4YCY5048



NOTES:

1. CONNECTIONS SHOWN ARE FOR A TYPICAL THERMOSTAT. SEE SCHEMATIC SUPPLIED WITH THERMOSTAT FOR PROPER CONNECTIONS. LOW VOLTAGE WIRING TO UNIT MAY BE NEC CLASS 2 AND MUST BE A MIN. OF 18 A.W.G. SET THERMOSTAT HEAT ANTICIPATOR TO .3 AMPS.
2. MAXIMUM ADDITIONAL EXTERNAL LOAD (PILOT DUTY) BETWEEN "B" AND "R" OF 0.5 AMPS, 24 VAC IS AVAILABLE IN THE COOLING MODE ONLY.
3. FOR 208 VOLT OPERATION MAKE THE FOLLOWING WIRING CHANGES:
A: AT TNS1 REMOVE (1A)RD WIRE AND CONNECT TO 208V TERMINAL ON TRANSFORMER.
4. IF ANY OF THE ORIGINAL WIRE AS SUPPLIED IN THIS UNIT MUST BE REPLACED, REPLACE IT WITH APPLIANCE WIRING MAT'L RATED AT 105° C.
5. "T" TERMINAL IS NOT CONNECTED WHEN AN ELECTRONIC THERMOSTAT IS USED.
6. THE GREEN LED ON THE ICMC BOARD FLASHES ONCE PER HUNDRED CFM.
7. IF OPTIONAL HUMIDISTAT ACCESSORY IS USED, ON THE ICMC BOARD CUT THE 91A(BK/WH) JUMPER AND CONNECT THE HUMIDISTAT BETWEEN TERMINALS.

24 VOLT TRANSFORMER FUSE REPLACEMENT
FU 300 VOLT TYPE GMO-3.2 AMP

ABBR	COLOR	ABBR	COLOR
BK	BLACK	PR	PURPLE
BL	BLUE	RD	RED
BR	BROWN	WH	WHITE
GR	GREEN	YL	YELLOW
OR	ORANGE		

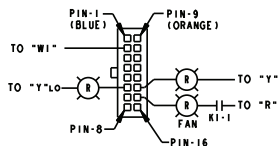
DEVICE	DESCRIPTION	LINE
CC	COMPRESSOR CONTACTOR COIL	50
CF1	OUTDOOR FAN CAPACITOR	15
CN	CONNECTOR OR WIRE NUT	
CFM	COMBUSTION FAN MOTOR	24
CPR	COMPRESSOR	14
CR	COMPRESSOR RUN CAPACITOR	14
FD	FLAME DETECTOR	37
RO	ROLLOUT LIMIT	34
GV	GAS VALVE	31
IDW	INDOOR FAN MOTOR	21
IGN	IGNITION CONTROL MODULE	23, 37
IOL	INTERNAL OVERLOAD	14
IP	IGNITOR PROBE	38
LED	IGN DIAGNOSTICS INDICATOR	34
ODM	OUTDOOR FAN MOTOR	17
PP	POLARIZED PLUG	31-37
PS	PRESSURE SWITCH	34
TCO	TEMPERATURE LIMIT SWITCH	34
TNS1	CONTROL POWER TRANSFORMER	28
FU	FUSE	33
HPCO	HIGH PRESSURE SWITCH	50
LPCO	LOW PRESSURE SWITCH	49
CPRS	COMPRESSOR SOLENOID	45
ICMC	INTEGRATED MOTOR CONTROL	40-47
ACR	RECTIFIER BRIDGE	49

ICMC DIP SWITCH SETTINGS

DIP SWITCH SETTINGS	COOLING/ HEAT PUMP CFM	NOMINAL AIRFLOW
SW 1 SW 2 SW 3 SW 4	ON	350 CFM/TON
OFF OFF OFF OFF	OFF	400 CFM/TON
OFF OFF ON OFF	ON	450 CFM/TON
FAN OFF-DELAY OPTIONS		
SW 5 SW 6	NONE	NOMINAL
ON OFF	60 SECONDS	100% NOMINAL**
OFF ON	90 SECONDS	50% NOMINAL
ON ON	ENHANCED	ENHANCED
ELECTRIC HEAT AIRFLOW		
SW 7 SW 8	ON	400 CFM/TON
OFF OFF	OFF	350 CFM/TON
ON OFF	OFF	400 CFM/TON

**** FACTORY SETTING:**

AT CONTINUOUS FAN SETTING ("G" ONLY) AIRFLOW VALUES ARE APPROXIMATELY 50% OF LISTED VALUE. THE HEAT PUMP FAN OFF-DELAY IS THE SAME AS THE COOLING MODE.



VIEW A-A
DETAIL OF POLARIZED PLUG CONNECTIONS TO LED LIGHTS

CAUTION-NOT SUITABLE FOR USE ON SYSTEMS EXCEEDING 150 VOLTS TO GROUND.
ATTENTION: NE CONVIENT PAS POUR LES INSTALLATIONS DE PLUS DE 150V. A TERRE.

UNIT FACTORY WIRED FOR 230V
SEE WIRING DIAGRAM NOTES FOR REQUIRED WIRING CHANGES WHEN INSTALLED ON A 208V POWER SUPPLY.

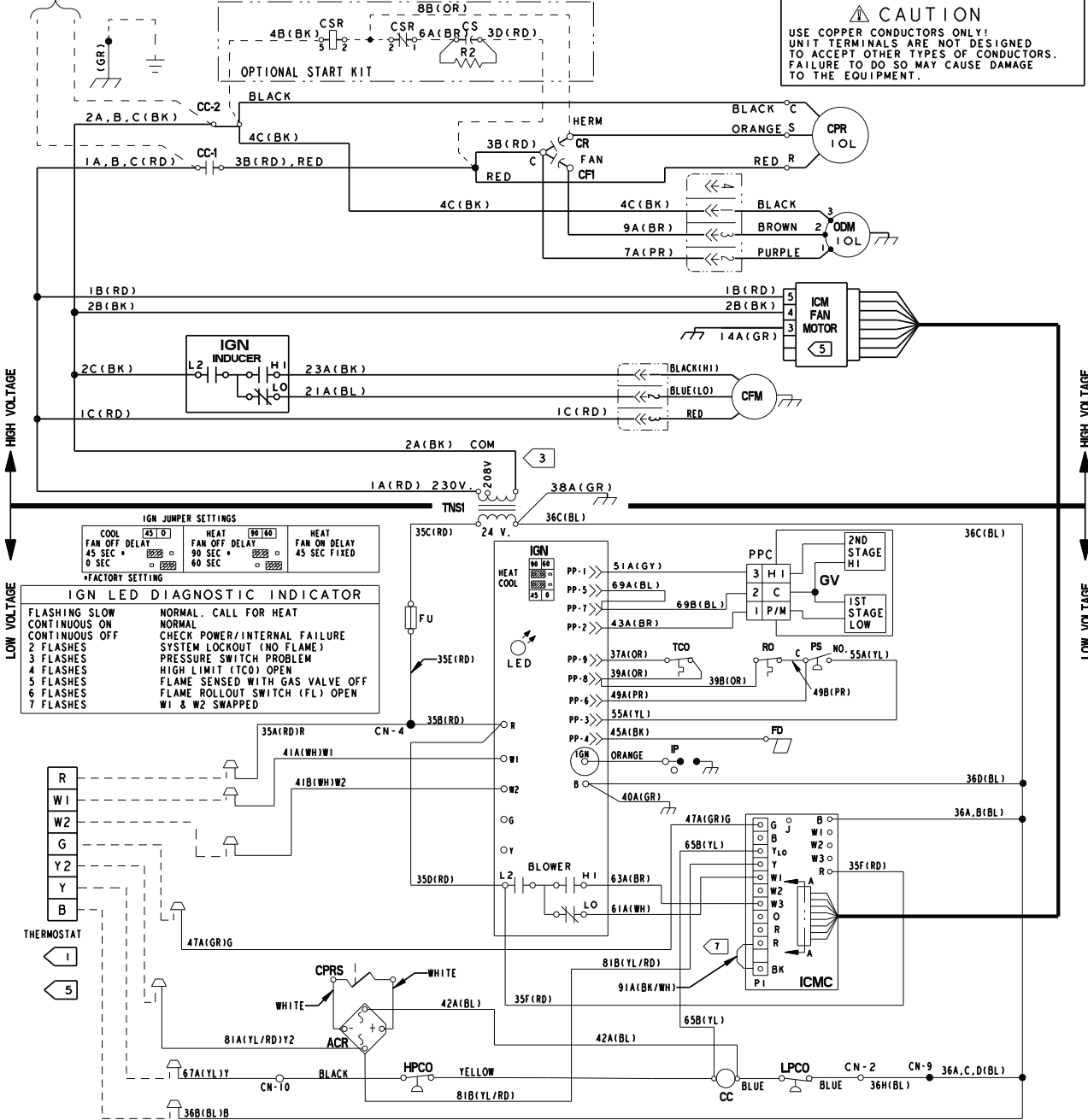
MODELS
4CY5048A1

WARNING
HAZARDOUS VOLTAGE!
DISCONNECT ALL ELECTRIC POWER INCLUDING REMOTE DISCONNECTS BEFORE SERVICING.
FAILURE TO DISCONNECT POWER SUPPLY BEFORE SERVICING CAN CAUSE SEVERE PERSONAL INJURY OR DEATH.

AVERTISSEMENT
VOLTAGE HASARDEUX!
DECONNECTEZ TOUTES LES SOURCES ELECTRIQUES INCLUANT LES DISJONCTEURS SITUES A DISTANCE AVANT D'EFFECTUER L'ENTRETIEN. FAUTE DE DECONNECTER LA SOURCE ELECTRIQUE AVANT D'EFFECTUER L'ENTRETIEN PEUT ENTRAÎNER DES BLESSURES CORPORELLES SEVERES OU LA MORT.

CAUTION
USE COPPER CONDUCTORS ONLY!
UNIT TERMINALS ARE NOT DESIGNED TO ACCEPT OTHER TYPES OF CONDUCTORS. FAILURE TO DO SO MAY CAUSE DAMAGE TO THE EQUIPMENT.

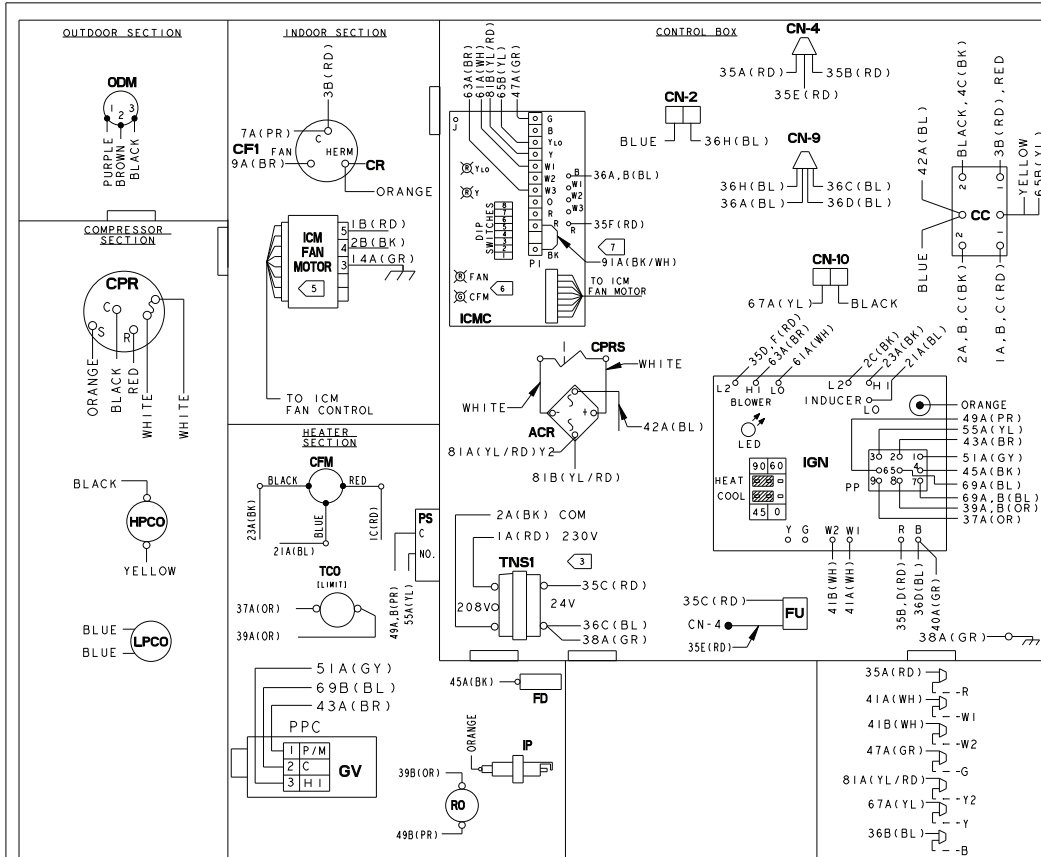
POWER SUPPLY PER LOCAL CODES
SEE NAMEPLATE FOR LINE VOLTAGE.



IGN JUMPER SETTINGS			
COOL	FAN OFF DELAY	HEAT	FAN ON DELAY
45 SEC	0 SEC	90 SEC	45 SEC FIXED
0 SEC	60 SEC	0 SEC	
*FACTORY SETTING			

IGN LED DIAGNOSTIC INDICATOR	
FLASHING SLOW	NORMAL. CALL FOR HEAT
CONTINUOUS ON	CHECK POWER/INTERNAL FAILURE
CONTINUOUS OFF	SYSTEM LOCKOUT (NO FLAME)
2 FLASHES	PRESSURE SWITCH PROBLEM
3 FLASHES	HIGH LIMIT (TCD) OPEN
4 FLASHES	FLAME SENSED WITH GAS VALVE OFF
5 FLASHES	FLAME ROLLOUT SWITCH (FL) OPEN
6 FLASHES	W1 & W2 SWAPPED
7 FLASHES	

Figure 6. Wiring Diagram - 4YCY5060



NOTES:

1. CONNECTIONS SHOWN ARE FOR A TYPICAL THERMOSTAT. SEE SCHEMATIC SUPPLIED WITH THERMOSTAT FOR PROPER CONNECTIONS. LOW VOLTAGE WIRING TO UNIT MAY BE NEC CLASS 2 AND MUST BE A MIN. OF 18 A.W.G. SET THERMOSTAT HEAT ANTICIPATOR TO .3 AMPS.
2. MAXIMUM ADDITIONAL EXTERNAL LOAD (PILOT DUTY) BETWEEN "B" AND "R" OF 0.5 AMPS. 24 VAC IS AVAILABLE IN THE COOLING MODE ONLY.
3. FOR 208 VOLT OPERATION MAKE THE FOLLOWING WIRING CHANGES:
A: AT TNS1 REMOVE 1A(RD) WIRE AND CONNECT TO 208V TERMINAL ON TRANSFORMER.
4. IF ANY OF THE ORIGINAL WIRE AS SUPPLIED IN THIS UNIT MUST BE REPLACED, REPLACE IT WITH APPLIANCE WIRING MAT'L RATED AT 105° C.
5. "T" TERMINAL IS NOT CONNECTED WHEN AN ELECTRONIC THERMOSTAT IS USED. THE GREEN LED ON THE ICMC BOARD FLASHES ONCE PER HUNDRED CFM.
6. IF OPTIONAL HUMIDISTAT ACCESSORY IS USED, ON THE ICMC BOARD CUT THE 91A(BK/WH) JUMPER AND CONNECT THE HUMIDISTAT BETWEEN TERMINALS.

24 VOLT TRANSFORMER FUSE REPLACEMENT
FU 300 VOLT TYPE GMD-3.2 AMP

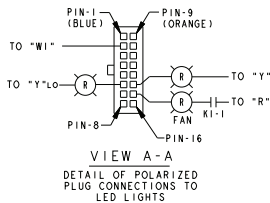
ABBV	COLOR	ABBV	COLOR
BK	BLACK	PR	PURPLE
BL	BLUE	RD	RED
BR	BROWN	WH	WHITE
GR	GREEN	YL	YELLOW
OR	ORANGE		

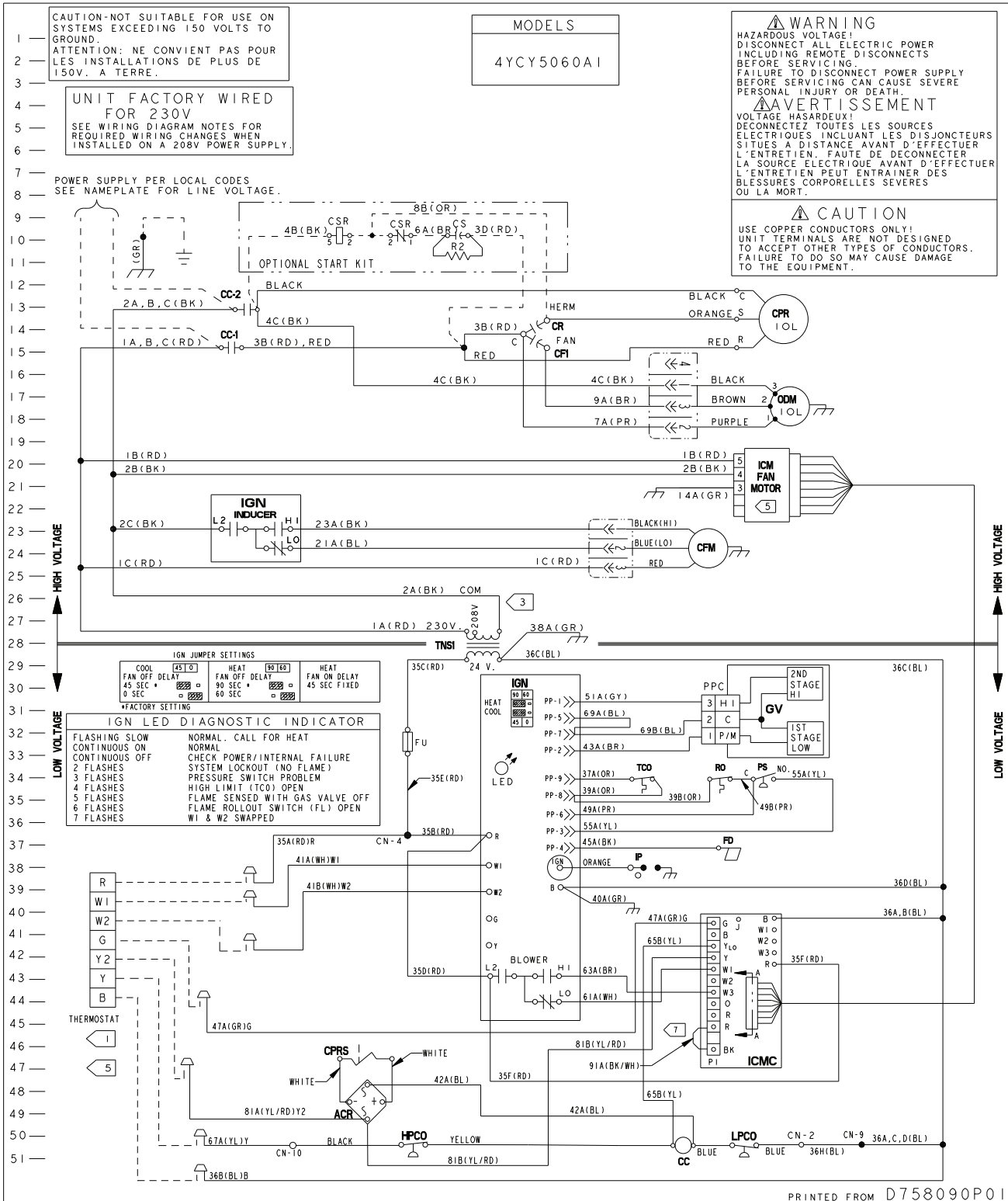
DEVICE	DESCRIPTION	LINE
CC	COMPRESSOR CONTACTOR COIL	50
CF1	OUTDOOR FAN CAPACITOR	15
CN	CONNECTOR OR WIRE NUT	
CFM	COMBUSTION FAN MOTOR	24
CPR	COMPRESSOR	14
CR	COMPRESSOR RUN CAPACITOR	14
FD	FLAME DETECTOR	37
RO	ROLLOUT LIMIT	34
GV	GAS VALVE	31
IDM	INDOOR FAN MOTOR	21
IGN	IGNITION CONTROL MODULE	23,37
IOL	INTERNAL OVERLOAD	14
IP	IGNITOR PROBE	38
LED	IGN DIAGNOSTICS INDICATOR	34
ODM	OUTDOOR FAN MOTOR	17
PP	POLARIZED PLUG	31-37
PS	PRESSURE SWITCH	34
TCO	TEMPERATURE LIMIT SWITCH	34
TNS1	CONTROL POWER TRANSFORMER	28
FU	FUSE	33
HPCO	HIGH PRESSURE SWITCH	50
LPCO	LOW PRESSURE SWITCH	49
CPRS	COMPRESSOR SOLENOID	45
ICMC	INTEGRATED MOTOR CONTROL	40-47
ACR	RECTIFIER BRIDGE	49

ICMC DIP SWITCH SETTINGS

DIP SWITCH SETTINGS	COOLING / HEAT PUMP CFM	NOMINAL AIRFLOW
SW 2 SW 2 SW 3 SW 4	350 CFM/TON	**
OFF OFF OFF OFF	400 CFM/TON	
FAN OFF-DELAY OPTIONS		
OFF OFF	NONE	NOMINAL
ON OFF	60 SECONDS	100% NOMINAL **
OFF ON	90 SECONDS	50% NOMINAL
ON ON	ENHANCED	ENHANCED
HEATING AIRFLOW		
SW 7 SW 8	350 CFM/TON	**
OFF OFF	400 CFM/TON	
ON OFF		

** FACTORY SETTING.
AT CONTINUOUS FAN SETTING ("G" ONLY) AIRFLOW VALUES ARE APPROXIMATELY 50% OF LISTED VALUE. THE HEAT PUMP FAN OFF-DELAY IS THE SAME AS THE COOLING MODE.

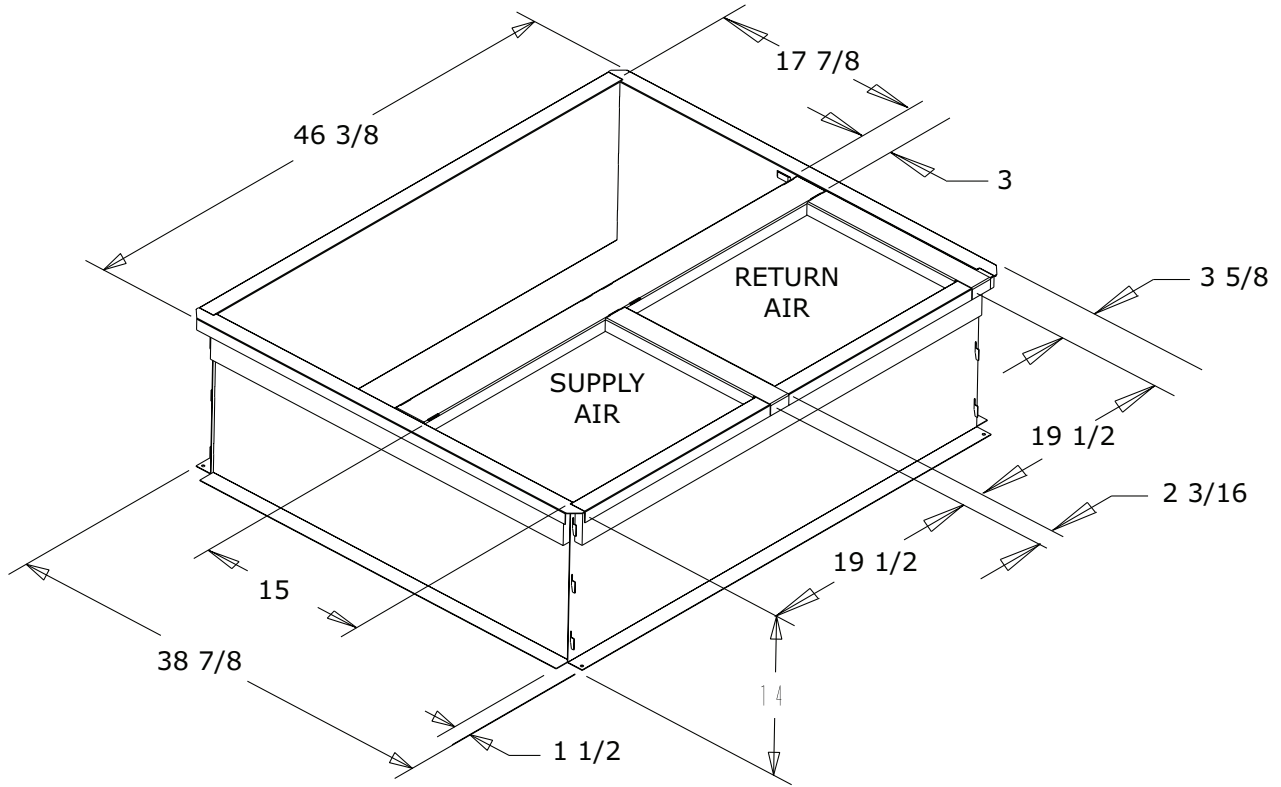




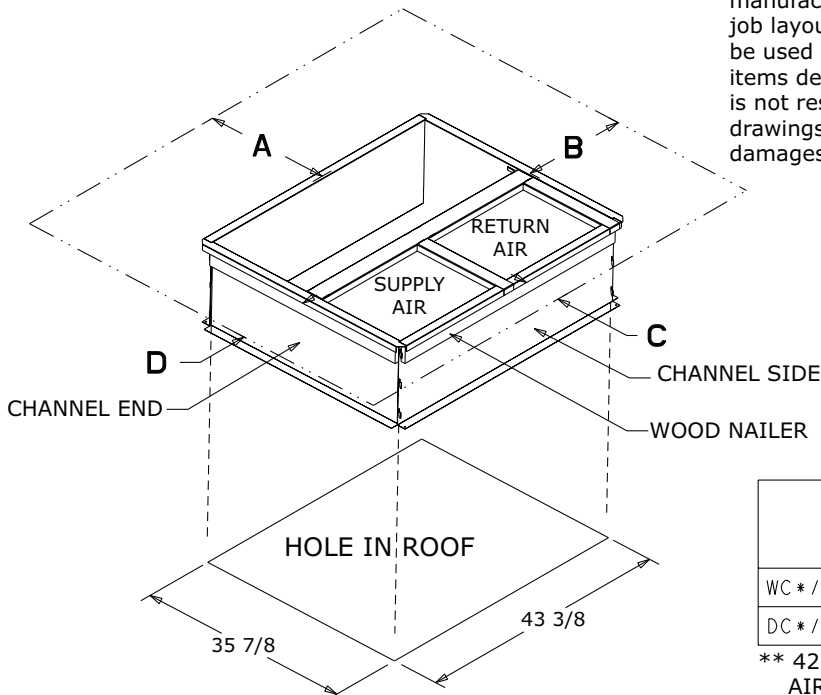
Full Perimeter Roof Mounting Curb

Figure 7. 2.0 – 3.0 Ton Models

BAYCURB050A Full Perimeter Roof Mounting Curb



The drawings on this page are prepared by the manufacturer in order to provide detail regarding job layout only. These drawings are not intended to be used as a basis to construct, build or modify the items depicted in the drawings. The manufacturer is not responsible for the unauthorized use of these drawings and expressly disclaims any liability for damages resulting from such unauthorized use.

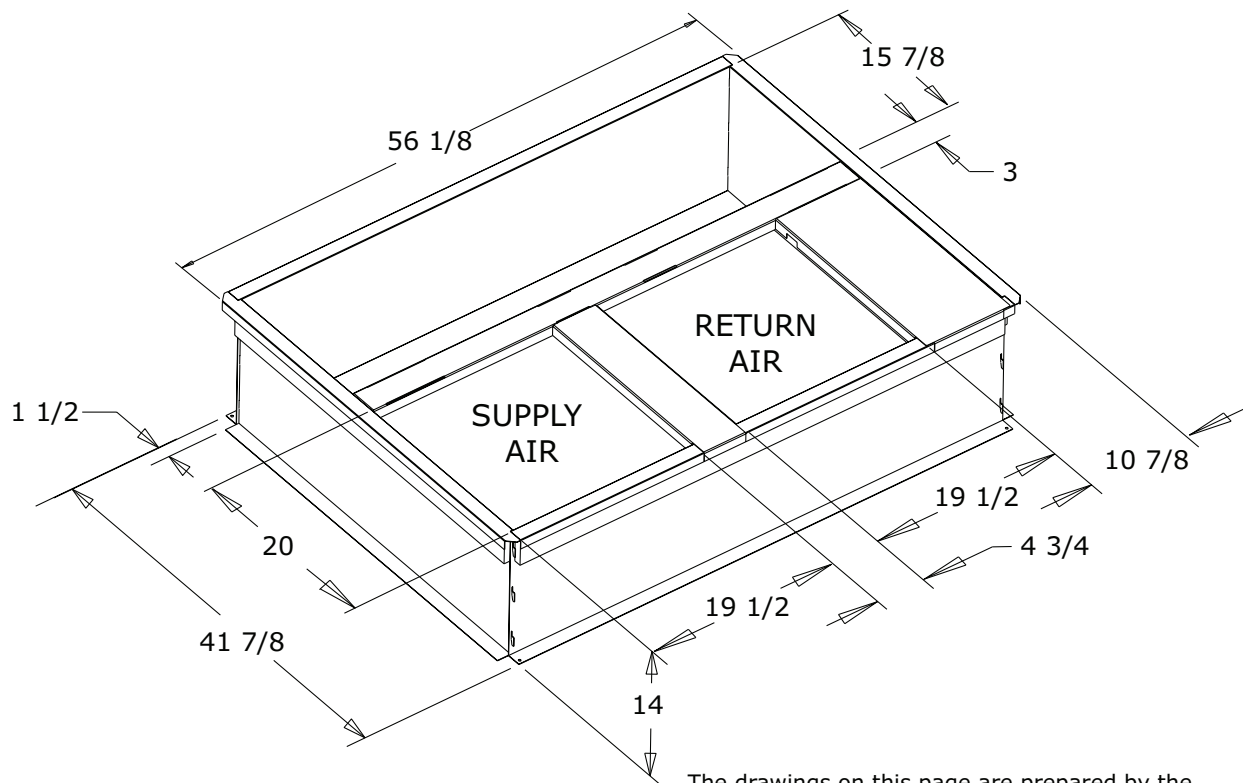


	SERVICE CLEARANCE DIMENSIONS			
	A	B	C	D
WC*/TC*	42.00	36.00	12.00**	24.00
DC*/YC*	42.00	36.00	12.00**	36.00

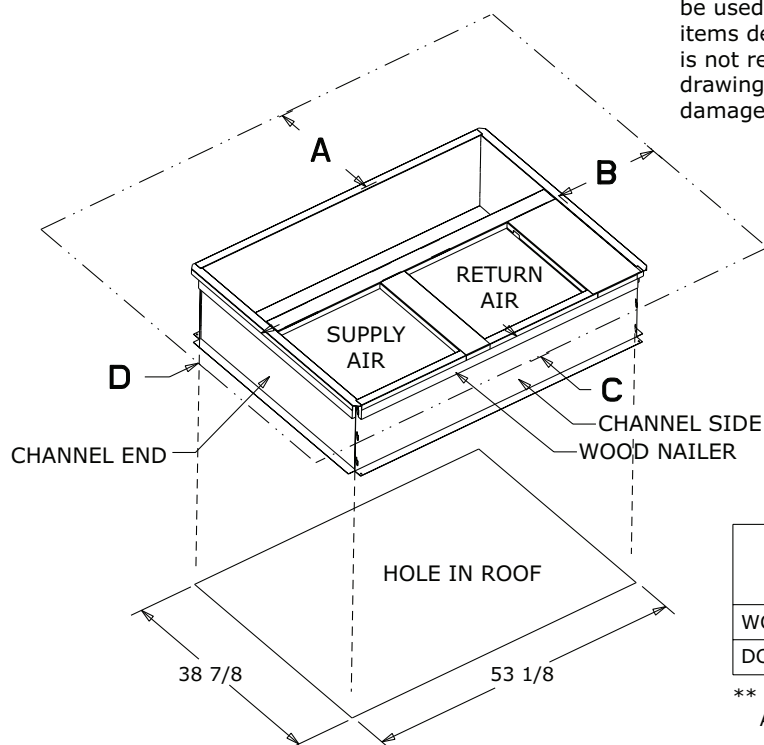
** 42.00 WITH ECONOMIZER WITH 25% FRESH AIR ACCESSORY

Figure 8. 3.5 – 5.0 Ton Models

BAYCURB051A Full Perimeter Roof Mounting Curb



The drawings on this page are prepared by the manufacturer in order to provide detail regarding job layout only. These drawings are not intended to be used as a basis to construct, build or modify the items depicted in the drawings. The manufacturer is not responsible for the unauthorized use of these drawings and expressly disclaims any liability for damages resulting from such unauthorized use.



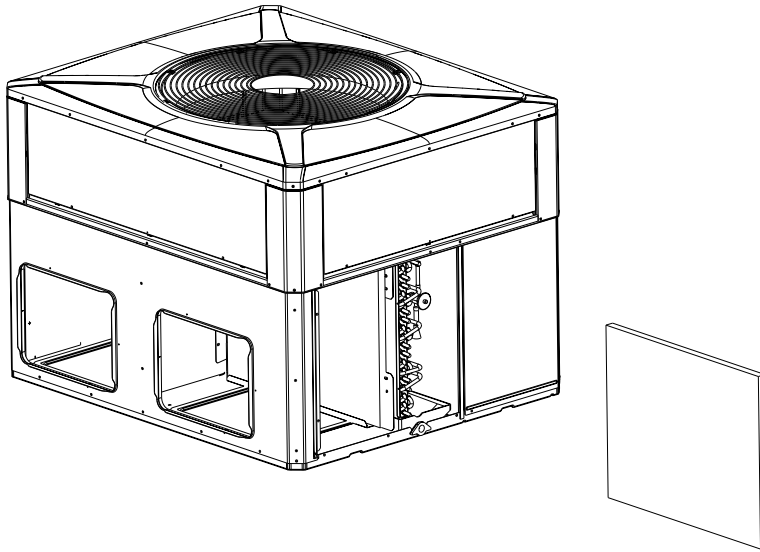
	SERVICE CLEARANCE DIMENSIONS			
	A	B	C	D
WC*/TC*	42.00	36.00	12.00**	24.00
DC*/YC*	42.00	36.00	12.00**	36.00

** 42.00 WITH ECONOMIZER WITH 25% FRESH AIR ACCESSORY

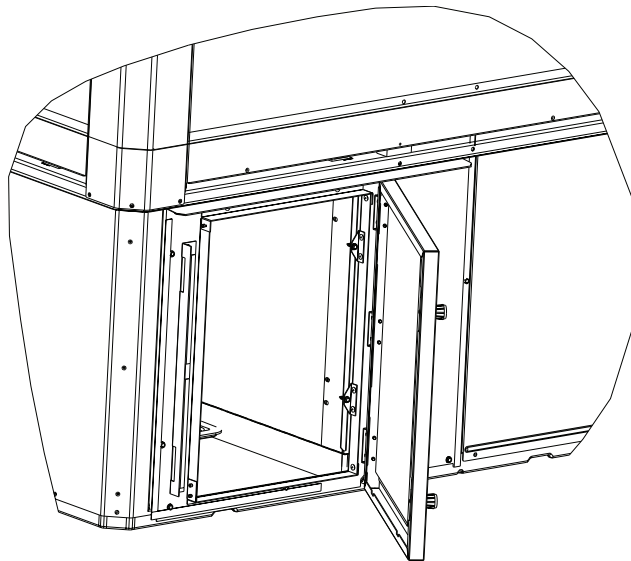


Optional Equipment — Filter Rack

**Figure 9. BAYFLTR101 Filter Rack (2.0 – 3.0 Ton Models)
BAYFLTR201 (3.5 – 5.0 Ton Models)
(Mounts in Filter/Coil Section)**



**Figure 10. BAYACCDOR1A Hinged Filter Access Door (2.0 – 3.0 Ton Models)
BAYACCDOR2A (3.5 – 5.0 Ton Models)
Replaces Filter/Coil Access Panel**



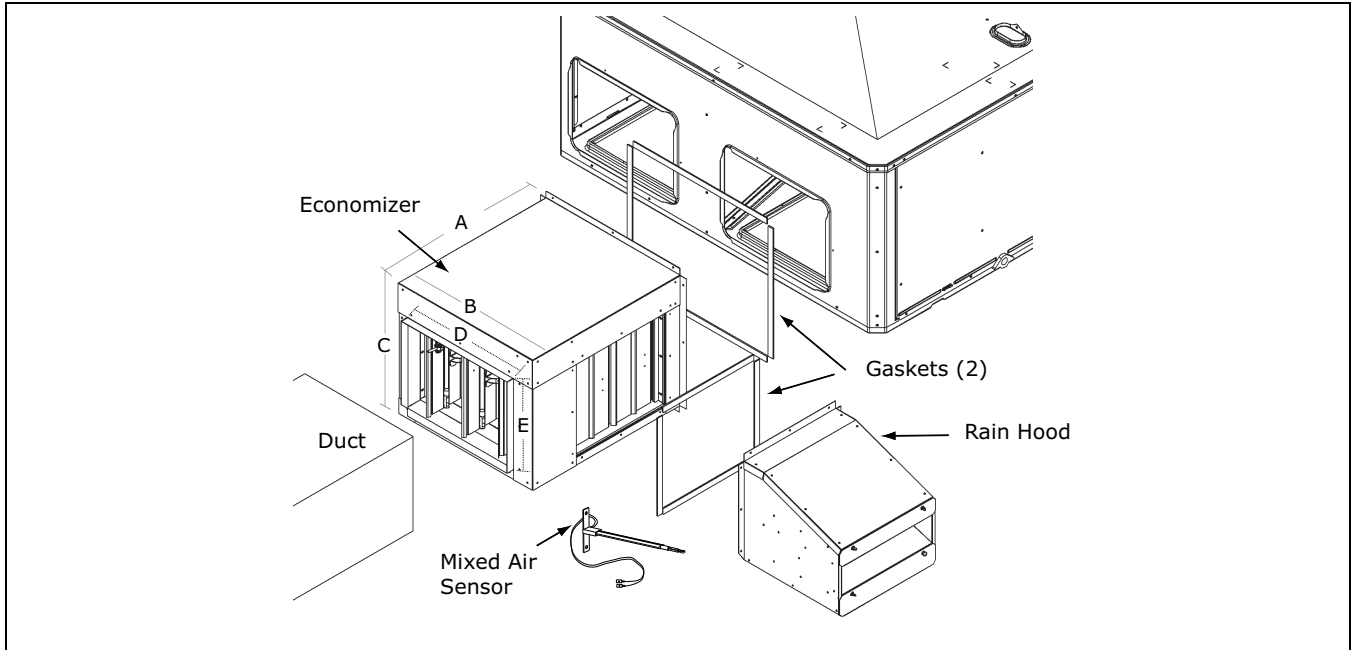
Note: The drawings on this page are prepared by the manufacturer in order to provide detail regarding job layout only. These drawings are not intended to be used as a basis to construct, build or modify the items depicted in the drawings. The manufacturer is not responsible for the unauthorized use of these drawings and expressly disclaims any liability for damages resulting from such unauthorized use.

Optional Equipment – Economizer

Table 19. BAYECON101,102A Down Discharge Economizer and Rain Hood (Mounts Over Horizontal Return Air Opening)

	Economizer	Unit Application Models
	BAYECON101A	2.0 – 3.0 Ton Models
	BAYECON102A	3.5 – 5.0 Ton Models

Table 20. BAYCON200, 201A Horizontal Economizer and Rain Hood



Economizer	Models	A	B	C	D	E	F
BAYECON200A	2.0 – 3.0 Ton	22"	20"	16-7/8"	15-11/16"	11-11/16"	15"
BAYECON201A	3.5 – 5.0 Ton	26"	22-21/32"	19"	17-11/16"	14-11/16"	21-3/8"

Note: The drawings on this page are prepared by the manufacturer in order to provide detail regarding job layout only. These drawings are not intended to be used as a basis to construct, build or modify the items depicted in the drawings. The manufacturer is not responsible for the unauthorized use of these drawings and expressly disclaims any liability for damages resulting from such unauthorized use.

Optional Equipment – Outside Air Damper

Table 21. BAYOSAH001 and 002A

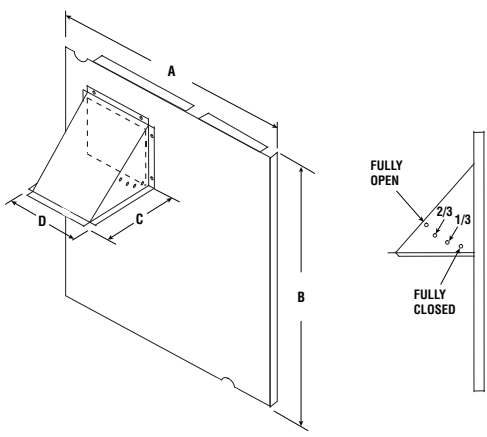
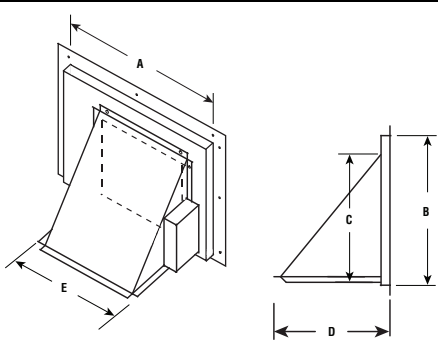
	Manual Fresh Air Model	Unit Application Models	A	B	C	D
	BAYOSAH001A	2.0 – 3.0 Ton	22-7/16"	20-11/16"	12-3/8"	9-3/16"
BAYOSAH002A	3.5 – 5.0 Ton	25-3/16"	20-11/16"	12-3/8"	9-3/16"	

Table 22. BAYDMPR101 and 102A, 25% Motorized Outside Air Damper (Mounts Over Horizontal Return Air Opening)

	Manual Fresh Air Model	Unit Application Models	A	B	C	D	E
	BAYDM-PR101A	2.0 – 3.0 Ton	15-13/16"	11-13/16"	10-1/4"	11-1/2"	12-1/4"
BAYDM-PR102A	3.5 – 5.0 Ton	18-3/16"	15-1/8"	10-1/4"	11-1/2"	12-1/4"	

Note: The drawings on this page are prepared by the manufacturer in order to provide detail regarding job layout only. These drawings are not intended to be used as a basis to construct, build or modify the items depicted in the drawings. The manufacturer is not responsible for the unauthorized use of these drawings and expressly disclaims any liability for damages resulting from such unauthorized use.

Outline Drawing

Figure 11. 2.0 – 3.0 Ton Models

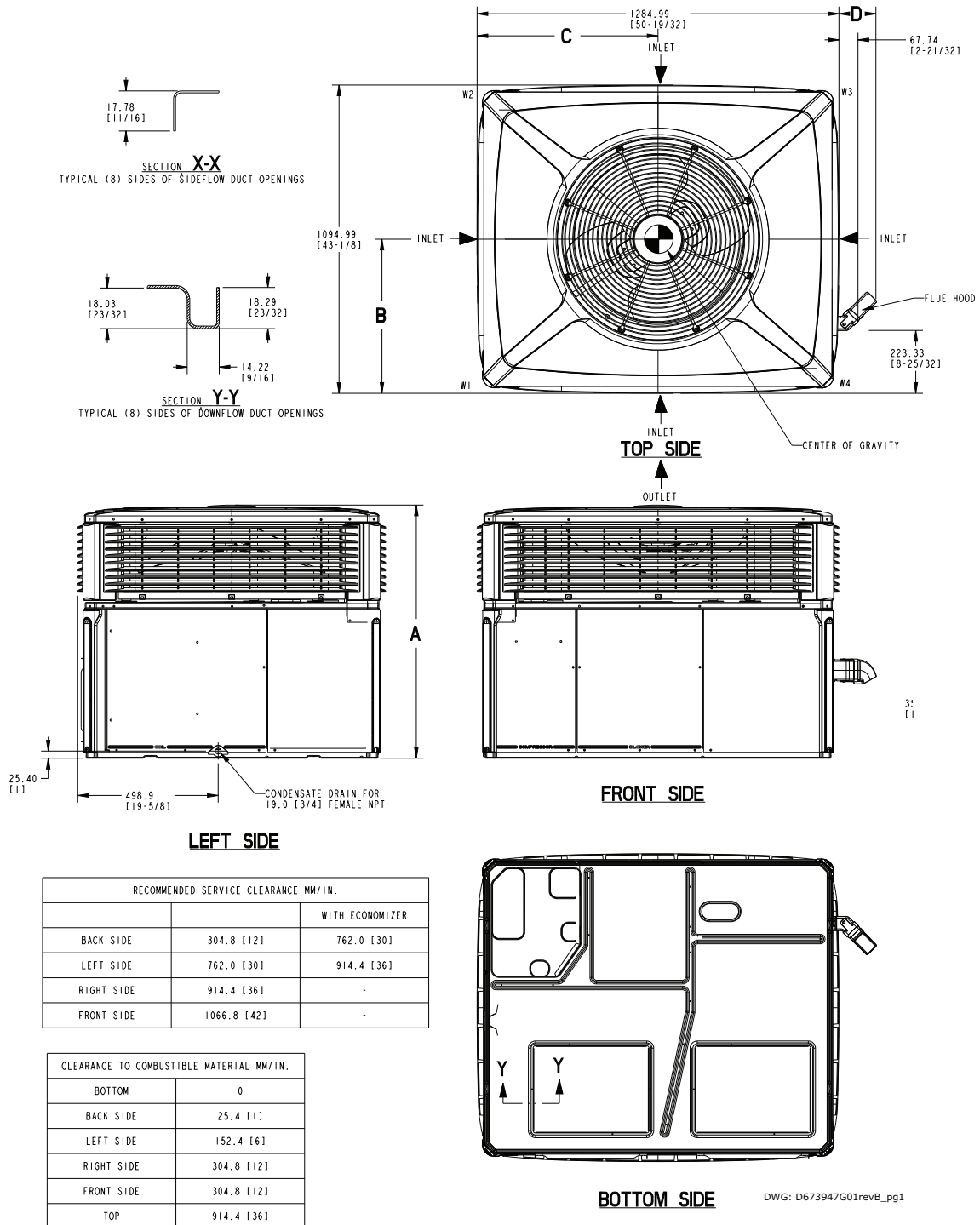
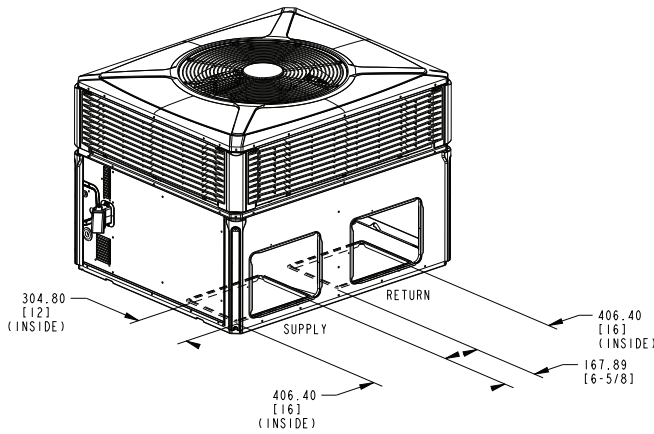
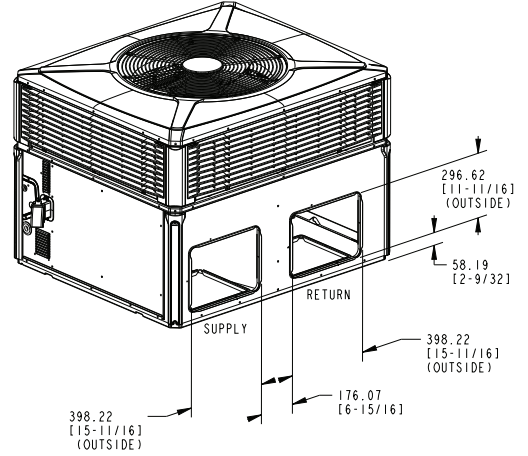


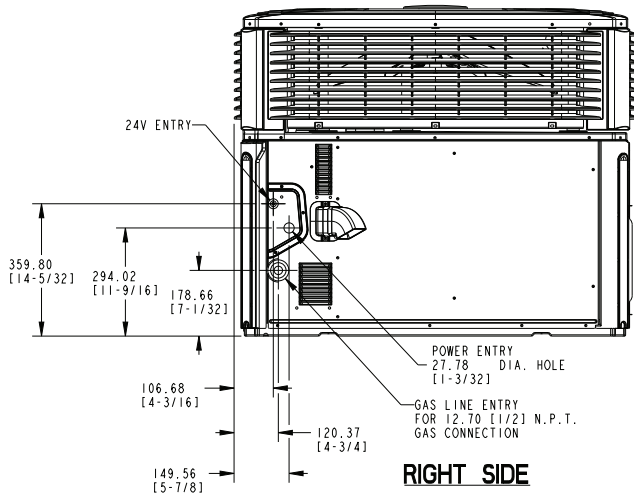
Figure 12. 2.0 – 3.0 Ton Models



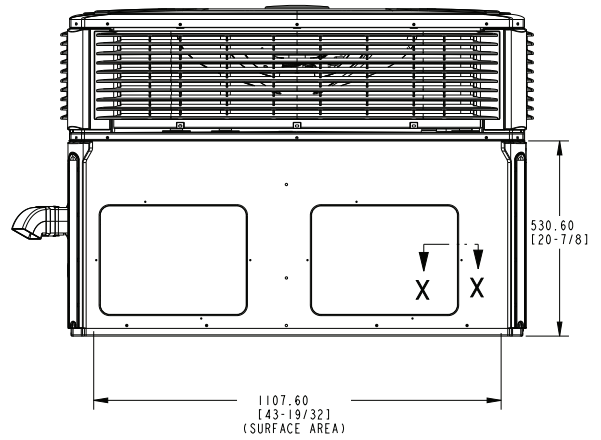
BOTTOM DUCT OPENINGS



BACK DUCT OPENINGS



RIGHT SIDE



BACK SIDE

MODEL	HEIGHT MM/IN.		FLUE HOOD W/BRKT MM/IN.	APPROX. CORNER WEIGHT - KG/LBS				SHIPPING WEIGHT KG/LBS	TOTAL UNIT WEIGHT KG/LBS	CENTER OF GRAVITY MM/IN.	
	A	D		W1	W2	W3	W4			B	C
4CY4024 (064)	903.29 [35-9/16]	-	-	59.0 [130]	37.2 [82]	31.3 [69]	48.5 [107]	218.4 [481]	174.8 [385]	401.3 [15.8]	546.1 [21.5]
4CY4030 (075)				60.3 [133]	36.3 [80]	30.4 [67]	50.3 [111]				
4CY4036/4YCZ6036 (075)	949.99 [37-3/8]	134.94 [5-5/16]	-	61.2 [135]	36.7 [81]	30.8 [68]	51.3 [113]	223.8 [493]	180.1 [397]	388.6 [15.3]	558.8 [22.0]
4CY4036/4YCZ6036 (096)				62.1 [137]	37.2 [82]	30.4 [67]	50.3 [111]				
4DCY4024 (064)	903.29 [35-9/16]	-	-	60.8 [134]	38.1 [84]	31.3 [69]	48.5 [107]	218.4 [481]	174.8 [385]	398.8 [15.7]	546.1 [21.5]
4DCY4030 (075)				62.1 [137]	37.2 [82]	30.4 [67]	50.3 [111]				
4DCY4036/4DCZ6036 (075)	949.99 [37-3/8]	134.94 [5-5/16]	-	57.8 [128]	36.6 [81]	25.9 [57]	40.7 [90]	192.8 [425]	161.0 [355]	401.3 [15.8]	546.1 [21.5]
4CY5024(060)	949.99 [37-3/8]	134.94 [5-5/16]	-	62.7 [138]	39.6 [87]	28.1 [62]	44.2 [97]	206.4 [455]	174.6 [385]	388.6 [15.3]	558.8 [22.0]
4CY5036(070)	949.99 [37-3/8]	134.94 [5-5/16]	-	63.5 [140]	40.2 [89]	28.5 [63]	44.7 [99]	208.7 [460]	176.9 [390]	388.6 [15.3]	558.8 [22.0]
4CY5036(090)	949.99 [37-3/8]	134.94 [5-5/16]	-	64.4 [142]	40.7 [90]	28.8 [64]	45.3 [100]	210.9 [465]	179.2 [395]	388.6 [15.3]	558.8 [22.0]

DWG: D673947G01_PG2

Figure 13. 3.5 – 5.0 Ton Models

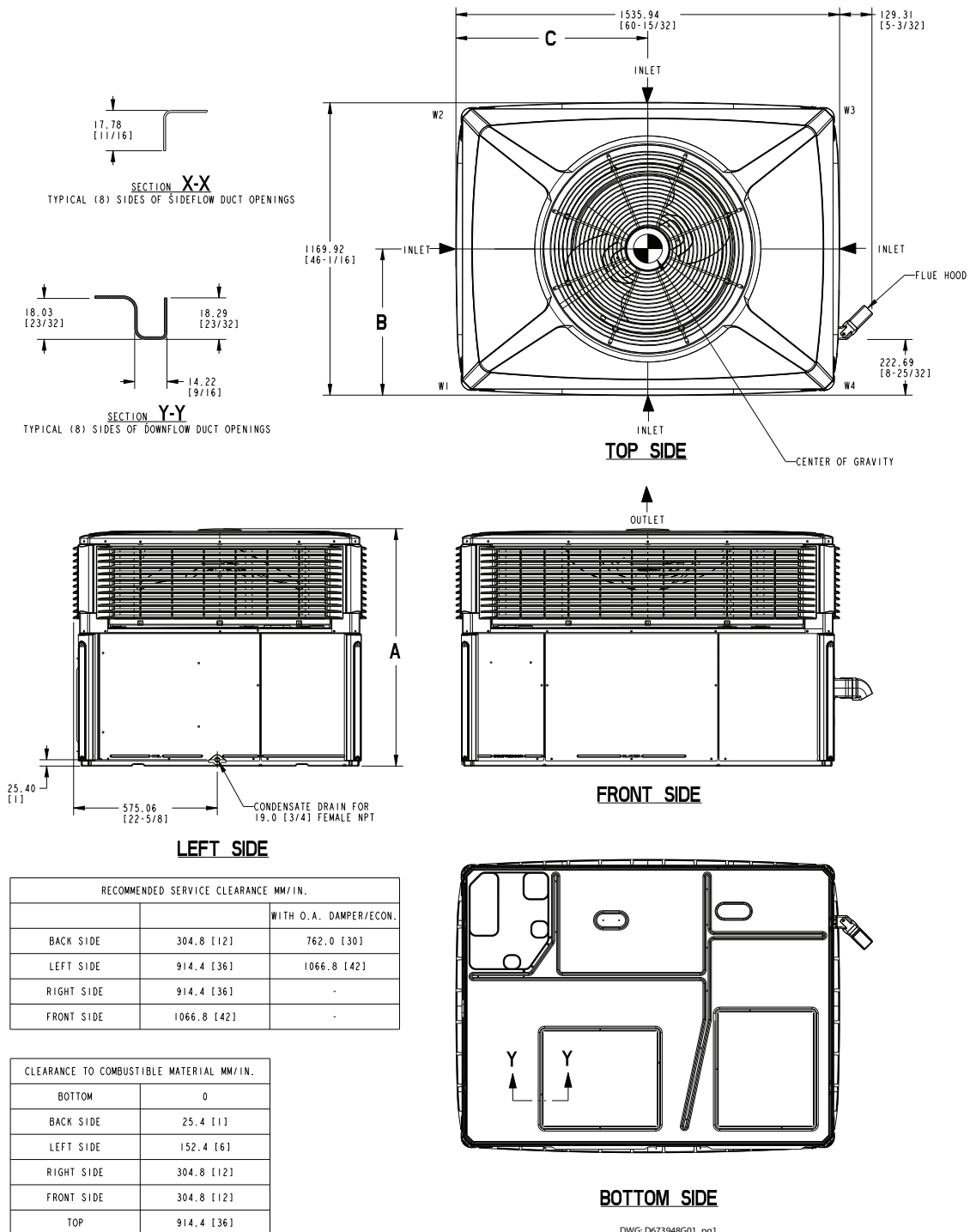
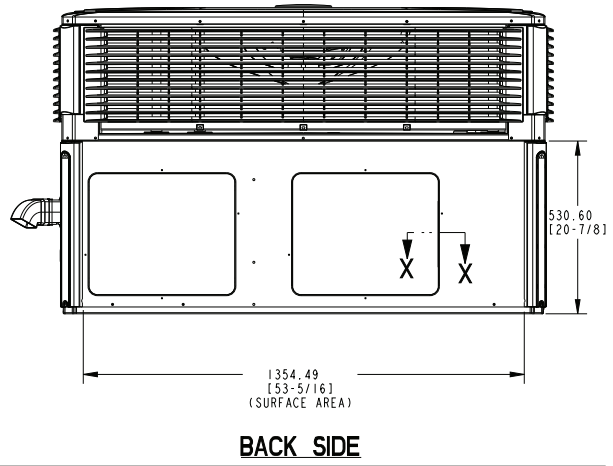
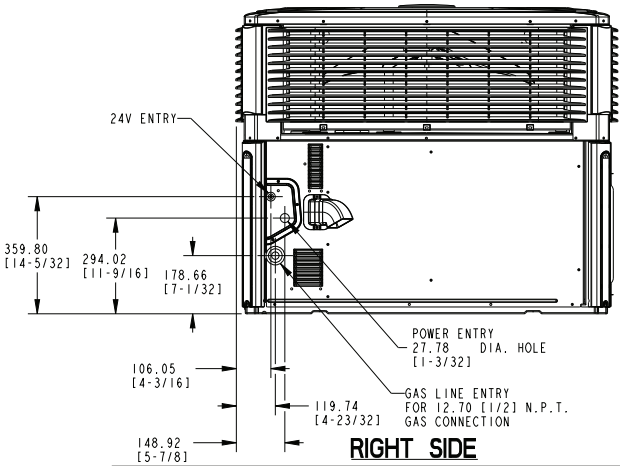
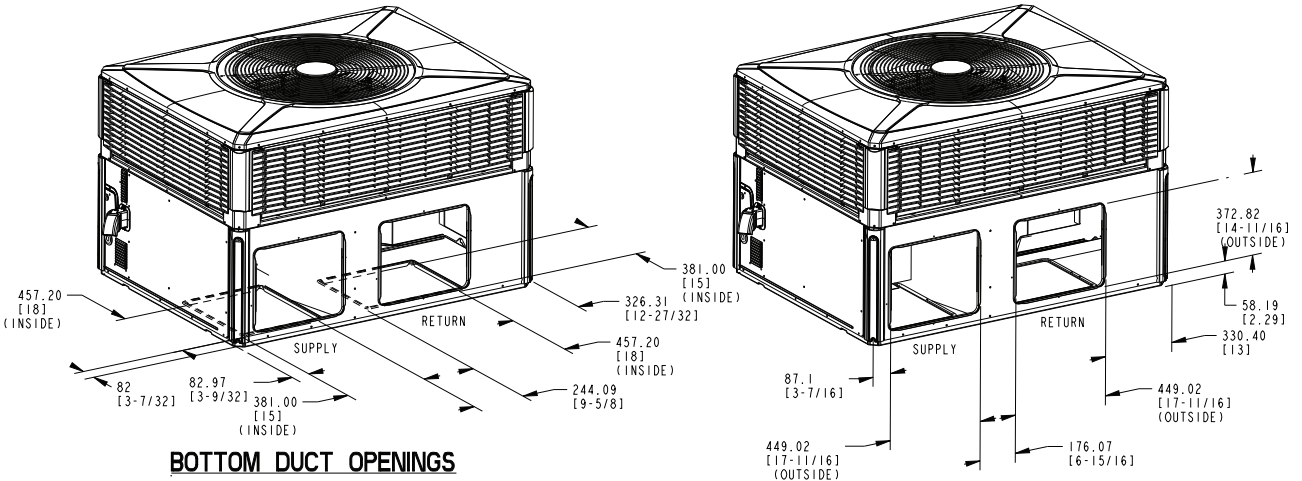


Figure 14. 3.5 – 5.0 Ton Models



MODEL	HEIGHT MM/IN.	APPROX. CORNER WEIGHT - KG/LBS				SHIPPING WEIGHT KG/LBS	TOTAL UNIT WEIGHT KG/LBS	CENTER OF GRAVITY MM/IN.	
	A	W1	W2	W3	W4			B	C
4YCY4042/048A (096)	949.33 [37-3/8]	75.3 [166]	50.3 [111]	45.4 [100]	67.6 [149]	296.5 [653]	238.1 [525]	444.5 [17.5]	698.5 [27.5]
4YCY4048A (120)		75.7 [167]	50.8 [112]	45.8 [101]	68.5 [151]	299.2 [659]	240.9 [531]	444.5 [17.5]	698.5 [27.5]
4YCY4048B (096)	949.33 [37-3/8]	77.1 [170]	52.2 [115]	47.2 [104]	69.4 [153]	303.4 [669]	245.9 [541]	444.5 [17.5]	698.5 [27.5]
4YCY4048B (120)		77.5 [171]	52.7 [116]	47.6 [105]	70.3 [155]	306.2 [675]	248.1 [547]	444.5 [17.5]	698.5 [27.5]
4YCY4060A1/A3 (120)	1050.93 [41-3/8]	82.1 [181]	46.3 [102]	43.1 [95]	76.7 [169]	306.9 [676]	248.6 [548]	401.3 [15.8]	711.2 [28.0]
4DCY4042/048A3 (096)	949.33 [37-3/8]	77.1 [170]	51.3 [113]	45.4 [100]	67.6 [149]	296.5 [653]	238.4 [525]	442.0 [17.4]	698.5 [27.5]
4DCY4048B (096)		78.9 [174]	53.0 [117]	47.2 [104]	69.4 [153]	306.6 [676]	248.5 [548]	442.0 [17.4]	698.5 [27.5]
4DCY4060B1 (120)	1050.93 [41-3/8]	67.9 [150]	47.0 [104]	56.7 [125]	82.0 [181]	311.7 [688]	253.6 [560]	457.2 [18.0]	673.1 [26.5]
4DCY4060A3 (120)	1050.93 [41-3/8]	83.9 [185]	47.2 [104]	43.1 [95]	76.7 [169]	306.9 [676]	248.8 [548]	398.8 [15.7]	711.2 [28.0]
4YCZ6048A1/A3/A4 (096)	1050.93 [41-3/8]	75.7 [167]	50.8 [112]	45.8 [101]	68.5 [151]	299.2 [659]	240.9 [531]	444.5 [17.5]	698.5 [27.5]
4YCZ6048A1/A3/A4 (120)		81.6 [180]	46.3 [102]	42.2 [93]	73.5 [162]	301.6 [665]	243.6 [537]	419.1 [16.5]	706.1 [27.8]
4YCZ6060A1/A3/A4 (120)	1050.93 [41-3/8]	82.1 [181]	46.3 [102]	43.1 [95]	76.7 [169]	306.9 [676]	248.6 [548]	401.3 [15.8]	711.2 [28.0]
4DCZ6048 (096)	1050.93 [41-3/8]	81.6 [180]	46.3 [102]	42.2 [93]	73.5 [162]	301.6 [665]	243.6 [537]	419.1 [16.5]	706.1 [27.8]
4DCZ6060 (120)	1050.93 [41-3/8]	83.9 [185]	47.2 [104]	43.1 [95]	75.7 [169]	306.9 [676]	248.8 [548]	398.8 [15.7]	711.2 [28.0]
4YCY5042A1 (090)	1050.93 [41-3/8]	82.8 [182]	52.3 [115]	37.1 [82]	58.3 [128]	269.0 [593]	230.4 [508]	444.5 [17.5]	698.5 [27.5]
4YCY5048A1 (090)	1050.93 [41-3/8]	75.7 [167]	50.8 [112]	45.8 [101]	68.5 [151]	279.4 [616]	240.9 [531]	444.5 [17.5]	698.5 [27.5]
4YCY5048A1 (115)	1050.93 [41-3/8]	81.6 [180]	46.3 [102]	42.2 [93]	73.5 [162]	282.1 [622]	243.6 [537]	419.1 [16.5]	706.1 [27.8]
4YCY5060A1 (115)	1050.93 [41-3/8]	82.1 [181]	46.3 [102]	43.1 [95]	76.7 [169]	287.1 [633]	248.6 [548]	401.3 [15.8]	711.2 [28.0]

DWG: D673948G01revB_pg2



Trane - by Trane Technologies (NYSE: TT), a global innovator - creates comfortable, energy efficient indoor environments for commercial and residential applications. For more information, please visit trane.com or tranetechnologies.com.



The AHRI Certified mark indicates Trane U.S. Inc. participation in the AHRI Certification program. For verification of individual certified products, go to ahridirectory.org.

Trane has a policy of continuous data improvement and it reserves the right to change design and specifications without notice. We are committed to using environmentally conscious print practices.