



Product Data

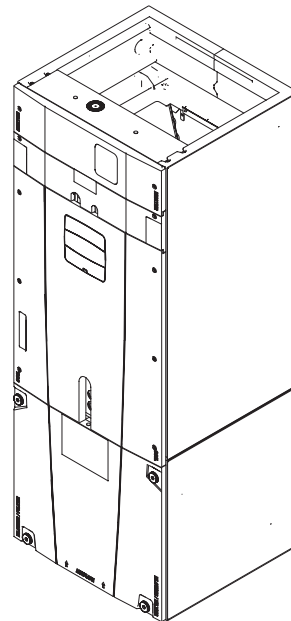
Modular Multi-position Air Handlers

Standard Coil

TAM4A0A18S11SD
TAM4A0A24S21SD
TAM4A0A30S21SD
TAM4A0A36S31SD
TAM4A0B42S31SD
TAM4A0C48S41SD
TAM4A0C60S51SD

Black Epoxy Coil

TAM4A0A18S11ED
TAM4A0A24S21ED
TAM4A0A30S21ED
TAM4A0A36S31ED
TAM4A0B42S31ED
TAM4A0C48S41ED
TAM4A0C60S51ED



Note: "Graphics in this document are for representation only.
Actual model may differ in appearance."



Features and Benefits

- Unique Cabinet Design
 - Double Wall Foamed and Formed Cabinet System
 - Water Proof Cabinet Design
 - > R-4.2 Insulating Value (Avg Insulating Value R-8.2)
 - Composite Foamed Cabinet Doors
 - Sweat Eliminating Cabinet Design
 - Loose Fiber Eliminating Cabinet Design
 - Smooth Cleanable Cabinet Design
 - 2% or Less air leakage
 - Precision Durable Door Seals
 - Modular Cabinet
- Multi-Position UP/Down Flow Horizontal Left /Right
- Side Return Option
- Braze in Refrigerant Connection
- Primary/Secondary Condensate Connections
- Premarked Conduit Connection Locations
- Vortica Blower with Integrated Slide Deck for Easy Removal
- Polarized Plug connections on Blower
- Control Protection Pocket
- Aluminum Coil with Integrated Slide Deck for Easy Removal
- Polarized Plug connections on Coil EEV
- Slide in Electric Heaters
- Polarized Plug connections for Electric Heater
- Labeled Panels and connections
- 1-1/4" to 1" And 3/4" to 1/2" Conduit connection on Left, Right and Top
- Molded in 1" Standard Filter rail
- Electronic Expansion Valve (EEV) With Low Ambient and Low Superheat Protection
- Dual Refrigerant Compatible as Shipped
- Low Voltage Terminal Connection Point
- 8 Alert Codes
- Enhanced Coil Fin Patented
- Blow Through Design
- PSC 3 Speed Motor (1-1/2 to 4 ton)
- High Efficiency ECM Motor (5 ton)
- Maximum Width of 23.5"
- Compact 20.8" depth with doors removed
- Integrated Horizontal Drain pans
- Single Color
- Fused 24V Power
- Safety Door Switch
- **5 year warranty**
- **10-year warranty registered**
- **Optional extended warranty available**



Contents

Features and Benefits	2
Optional Equipment	4
Unique Cabinet Design Features and Benefits	5
General Data	6
TAM4A0A18S11ED, TAM4A0A18S11SD	6
TAM4A0A24S21ED, TAM4A0A24S21SD	6
TAM4A0A30S21ED, TAM4A0A30S21SD	6
TAM4A0A36S31ED, TAM4A0A36S31SD	6
TAM4A0B42S31ED, TAM4A0B42S31SD	6
TAM4A0C48S41ED, TAM4A0C48S41SD	7
TAM4A0C60S51ED, TAM4A0C60S51SD	7
Performance Data	8
Electrical Data	15
Field Wiring	23
Convertibility	25
Dimensions	26

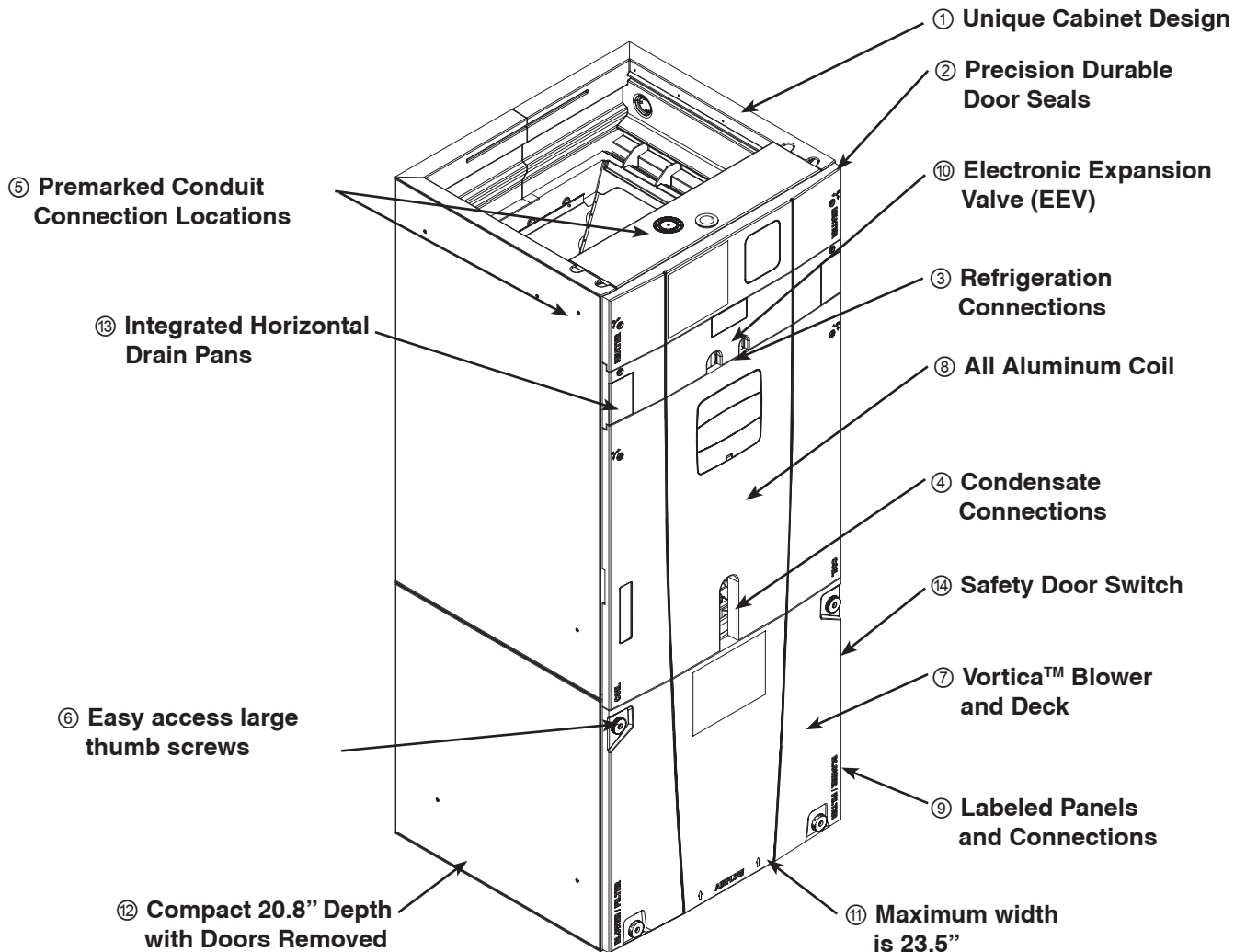


Optional Equipment

OPTIONAL EQUIPMENT FOR AIR HANDLERS

Accessory Number	Description	Fits Cabinet Size
BAYEAC04BK1	Electric Heater, 4kW, Breaker, 24V Control, 1 Ph	A to C
BAYEAC04LG1	Electric Heater, 4kW, Lugs, 24V Control, 1 Ph	A to C
BAYEAC05BK1	Electric Heater, 5kW, Breaker, 24V Control, 1 Ph	A to C
BAYEAC05LG1	Electric Heater, 5kW, Lugs, 24V Control, 1 Ph	A to C
BAYEAC08BK1	Electric Heater, 8kW, Breaker, 24V Control, 1 Ph	A to C
BAYEAC08LG1	Electric Heater, 8kW, Lugs, 24V Control, 1 Ph	A to C
BAYEAC10BK1	Electric Heater, 10kW, Breaker, 24V Control, 1 Ph	A to C
BAYEAC10LG1	Electric Heater, 10kW, Lugs, 24V Control, 1 Ph	A to C
BAYEAC10LG3	Electric Heater, 10kW, Lugs, 24V Control, 3 Ph	A to C
BAYEABC15BK1	Electric Heater, 15kW, Breaker, 24V Control, 1 Ph	B to C
BAYEABC15LG3	Electric Heater, 15kW, Lugs, 24V Control, 3 Ph	B to C
BAYEABC20BK1	Electric Heater, 20kW, Breaker, 24V Control, 1 Ph	B to C
BAYEACC25BK1	Electric Heater, 25kW, Breaker, 24V Control, 1 Ph	C
BAYSUPFLGAA	Supply Duct Flange A	A
BAYSUPFLGBA	Supply Duct Flange B	B
BAYSUPFLGCA	Supply Duct Flange C	C
BAYRETFLGAA	Return Duct Flange A	A
BAYRETFLGBA	Return Duct Flange B	B
BAYRETFLGCA	Return Duct Flange C	C
BAYFLR1620A	High Velocity Filter Kit, 16" X 20' X 1" (10 filters)	A
BAYFLR2020A	High Velocity Filter Kit, 20" X 20' X 1" (10 filters)	B
BAYFLR2220A	High Velocity Filter Kit, 22" X 20' X 1" (10 filters)	C
TASB175SB	Plenum Stand with Integrated Sound Baffle A	A
TASB215SB	Plenum Stand with Integrated Sound Baffle B	B
TASB235SB	Plenum Stand with Integrated Sound Baffle C	C
MITSRKIT1620	Side Return Kit with 16" x 20" Filter	A to C
TASSBK175	Sound Baffle Kit 17.5" Cabinet	A
TASSBK215	Sound Baffle Kit 21.5" Cabinet	B
TASSBK235	Sound Baffle Kit 23.5" Cabinet	C
BAYSRKIT100A	Side Return Kit	A to C
BAYFRKIT175	Front Return Kit for 17.5" Cabinet	A
BAYFRKIT210	Front Return Kit for 21.0" Cabinet	B
BAYFRKIT235	Front Return Kit for 23.5" Cabinet	C
BAYICKSKIT01A	Internal Condensate Switch Kit	A to C
BAYHHKIT001A	Horizontal Hanger Kit	A to C
BAYUVCLK001A	UV Lights	A to C
BAYLVKIT100A	Low Voltage Conduit Entry Kit	A to C
BAYSPEKT200A	Single Point Power Entry Kit	B to C
BAYBAFKT175	Sound Baffle Kit fo 17.5" Cabinet	A
BAYBAFKT210	Sound Baffle Kit fo 21.0" Cabinet	B
BAYBAFKT235	Sound Baffle Kit fo 23.5" Cabinet	C
BAYINSKT175A	Sound Insulation Kit for 17.5" Cabinet	A
BAYINSKT215A	Sound Insulation Kit for 21.0" Cabinet	B
BAYINSKT235A	Sound Insulation Kit for 23.5" Cabinet	C
BAYCNDPIP01A	3/4" PVC Threaded Pipe Kit Foam Seal (10 per box)	A to C

Unique Cabinet Design Features and Benefits



① Unique Cabinet Design

- Double wall foamed cabinet system
- Waterproof Cabinet Design
- R-4.2 Insulating Value (Avg Insulating Value R-8.2)
- Composite Foamed Cabinet Doors
- Sweat Eliminating Cabinet Design
- Loose Fiber Eliminating Design
- Smooth Cleanable Cabinet Design

② Precision Durable Door Seals

③ Brazed Refrigeration Connections

④ Primary/Secondary Condensate Connections

- ## ⑤ Premarked Conduit Connection Locations - Conduit Connections on Left, Right, and Top

⑥ Easy access large thumb screws

- ## ⑦ Vortica™ Blower and Deck - Polarized Plug on Blower

⑧ All Aluminum Coil

- Integrated Slide Deck for Easy Removal
- Polarized Plug connections on Coil EEV
- Patented Enhanced Coil Fin

⑨ Labeled Panels and Connections

⑩ Electronic Expansion Valve (EEV)

- Low Ambient and Low Superheat Protection
- Dual Refrigerant Compatible as Shipped

⑪ Maximum width is 23.5"

⑫ Compact 20.8" Depth with Doors Removed

⑬ Integrated Horizontal Drain Pans

⑭ Safety Door Switch - Fused 24V Power

⑮ Modular Cabinet



TRANE®

General Data

PRODUCT SPECIFICATIONS

MODEL	TAM4A0A18S11ED TAM4A0A18S11SD	TAM4A0A24S21ED TAM4A0A24S21SD	TAM4A0A30S21ED TAM4A0A30S21SD
RATED VOLTS/PH/HZ.	208-230/1/60	208-230/1/60	208-230/1/60
RATINGS ①	See O.D. Specifications	See O.D. Specifications	See O.D. Specifications
INDOOR COIL — Type	Plate Fin	Plate Fin	Plate Fin
Rows — F.P.I.	3 - 14	3 - 14	3 - 14
Face Area (sq. ft.)	3.21	3.21	3.21
Tube Size (in.)	3/8	3/8	3/8
Refrigerant Control	EEV	EEV	EEV
Drain Conn. Size (in.) ②	3/4 NPT	3/4 NPT	3/4 NPT
DUCT CONNECTIONS	See Outline Drawing	See Outline Drawing	See Outline Drawing
INDOOR FAN — Type	Centrifugal	Centrifugal	Centrifugal
Diameter-Width (In.)	11 X 8	10 X 8	10 X 10
No. Used	1	1	1
Drive - No. Speeds	Direct - 3	Direct - 3	Direct - 5
CFM vs. in. w.g.	See Fan Performance Table	See Fan Performance Table	See Fan Performance Table
No. Motors — H.P.	1 - 1/3	1 - 1/4	1 - 1/3
Motor Speed R.P.M.	825	1075	1075
Volts/Ph/Hz	208-230/1/60	208-230/1/60	208-230/1/60
F.L. Amps - L.R. Amps	2.0 - 4.1	1.3 - 2.6	1.7 - 3.5
FILTER			
Filter Furnished?	No	No	No
Type Recommended	Throwaway	Throwaway	Throwaway
No.-Size-Thickness	1 - 16 X 20 - 1 in.	1 - 16 X 20 - 1 in.	1 - 16 X 20 - 1 in.
REFRIGERANT	R-410A	R-410A	R-410A
Ref. Line Connections	Brazed	Brazed	Brazed
Coupling or Conn. Size — in. Gas	3/4	3/4	3/4
Coupling or Conn. Size — in. Liq.	3/8	3/8	3/8
DIMENSIONS	H x W x D	H x W x D	H x W x D
Crated (In.)	51 x 20 x 24-1/2	51 x 20 x 24-1/2	51 x 20 x 24-1/2
Uncrated	49-15/16 x 17-1/2 x 21-13/16	49-15/16 x 17-1/2 x 21-13/16	49-15/16 x 17-1/2 x 21-13/16
WEIGHT			
Shipping (Lbs.)/Net (Lbs.)	123/113	126/116	127/117

PRODUCT SPECIFICATIONS

MODEL	TAM4A0A36S31ED TAM4A0A36S31SD	TAM4A0B42S31ED TAM4A0B42S31SD
RATED VOLTS/PH/HZ.	208-230/1/60	208-230/1/60
RATINGS ①	See O.D. Specifications	See O.D. Specifications
INDOOR COIL — Type	Plate Fin	Plate Fin
Rows — F.P.I.	3 - 14	3 - 14
Face Area (sq. ft.)	3.67	5.04
Tube (in.)	3/8	3/8
Refrigerant Control	EEV	EEV
Drain Conn. Size (in.) ②	3/4 NPT	3/4 NPT
DUCT CONNECTIONS	See Outline Drawing	See Outline Drawing
INDOOR FAN — Type	Centrifugal	Centrifugal
Diameter-Width (In.)	11 X 8	10 X 10
No. Used	1	1
Drive - No. Speeds	Direct - 3	Direct - 3
CFM vs. in. w.g.	See Fan Performance Table	See Fan Performance Table
No. Motors — H.P.	1 - 1/2	1 - 1/2
Motor Speed R.P.M.	1075	1075
Volts/Ph/Hz	208-230/1/60	208-230/1/60
F.L. Amps	2.4 - 3.8	2.7 - 5.0
FILTER		
Filter Furnished?	No	No
Type Recommended	Throwaway	Throwaway
No.-Size-Thickness	1 - 16 X 20 - 1 in.	1 - 20 X 20 - 1 in.
REFRIGERANT	R-410A	R-410A
Ref. Line Connections	Brazed	Brazed
Coupling or Conn. Size — in. Gas	3/4	7/8
Coupling or Conn. Size — in. Liq.	3/8	3/8
DIMENSIONS	H x W x D	H x W x D
Crated (In.)	51 x 20 x 24-1/2	56-13/16 x 23-1/2 x 24-1/2
Uncrated	49-15/16 x 17-1/2 x 21-13/16	55-23/32 x 21-5/16 x 21-13/16
WEIGHT		
Shipping (Lbs.)/Net (Lbs.)	131/120	144/133



TRANE®

General Data

MODEL	PRODUCT SPECIFICATIONS	
	TAM4A0C48S41ED TAM4A0C48S41SD	TAM4A0C60S51ED TAM4A0C60S51SD
RATED VOLTS/PH/HZ.	208-230/1/60	208-230/1/60
RATINGS ①	See O.D. Specifications	See O.D. Specifications
INDOOR COIL — Type	Plate Fin	Plate Fin
Rows — F.P.I.	3 - 14	4 - 14
Face Area (sq. ft.)	5.50	5.50
Tube Size (in.)	3/8	3/8
Refrigerant Control	EEV	EEV
Drain Conn. Size (in.) ②	3/4 NPT	3/4 NPT
DUCT CONNECTIONS	See Outline Drawing	See Outline Drawing
INDOOR FAN — Type	Centrifugal	Centrifugal
Diameter-Width (In.)	11 X 10	11 X 10
No. Used	1	1
Drive - No. Speeds	Direct - 3	Direct - 5 ③
CFM vs. in. w.g.	See Fan Performance Table	See Fan Performance Table
No. Motors — H.P.	1 - 1/2	1 - 1
Motor Speed R.P.M.	1075	1050
Volts/Ph/Hz	208-230/1/60	208-230/1/60
F.L. Amps	3.1 - 5.5	7.6
FILTER		
Filter Furnished?	No	No
Type Recommended	Throwaway	Throwaway
No.-Size-Thickness	1 - 22 X 20 - 1 in.	1 - 22 X 20 - 1 in.
REFRIGERANT	R-410A	R-410A
Ref. Line Connections	Brazed	Brazed
Coupling or Conn. Size — in. Gas	7/8	7/8
Coupling or Conn. Size — in. Liq.	3/8	3/8
DIMENSIONS	H x W x D	H x W x D
Crated (In.)	58 x 25-1/2 x 24-1/2	62-13/16 x 25-1/2 x 24-1/2
Uncrated	56-15/16 x 23-1/2 x 21-13/16	61-23/32 x 23-1/2 x 21-13/16
WEIGHT		
Shipping (Lbs.)/Net (Lbs.)	155/143	171/159

① These Air Handlers are A.H.R.I. certified with various Split System Air Conditioners and Heat Pumps (AHRI STANDARD 210/240). Refer to the Split System Outdoor Unit Product Data Guides for performance data.

② 3/4" Male Plastic Pipe (Ref.: ASTM 1785-76)

③ Constant torque motor



TRANE®

Performance Data

TAM4A0A18 AIRFLOW PERFORMANCE TABLE

AIRFLOW PERFORMANCE						
TAM4A0A18S11						
EXTERNAL STATIC (in w.g)	AIRFLOW (CFM)					
	Speed Taps – 230 VOLTS			Speed Taps – 208 VOLTS		
	3	2 †	1	3	2 †	1
0	1091	743	677	1065	621	561
0.1	1024	719	659	999	606	544
0.2	952	690	635	929	583	524
0.3	875	651	598	852	551	492
0.4	799	601	553	782	510	451
0.5	726	536	488	706	453	390
0.6	621	431	390	604	369	315
0.7	500	320	N/A	474	225	N/A
0.8	321	N/A	N/A	302	N/A	N/A
0.9	N/A	N/A	N/A	N/A	N/A	N/A

NOTES:

1. Values are with wet coil and without filters.
2. Contact your particular filter manufacturer for pressure drop data.
3. Electric heater pressure drop is negligible and is included within the airflow data.
4. † Factory Setting

TAM4A0A18S11 MINIMUM HEATER AIRFLOW CFM		
Heater	Minimum Air Speed Tap	
	With Heat Pump	Without Heat Pump
BAYEAAC04BK1 BAYEAAC04LG1	Tap 1	Tap 1
BAYEAAC05BK1 BAYEAAC05LG1	Tap 1	Tap 1
BAYEAAC08BK1 BAYEAAC08LG1	Tap 2	Tap 1
BAYEAAC10BK1 BAYEAAC10LG1	Tap 3	Tap 2
BAYEAAC10LG3	Tap 3	Tap 1
BAYEABC15BK1	-	-
BAYEABC20BK1	-	-
SEE AIR HANDLER NAMEPLATE OR PRODUCT DATA FOR EXCEPTIONS		

Note: Heating and cooling speeds are the same, factory set at Speed Tap #2.



Performance Data

TAM4A0A24 AIRFLOW PERFORMANCE TABLE

AIRFLOW PERFORMANCE						
TAM4A0A24S21						
EXTERNAL STATIC (in w.g)	AIRFLOW (CFM)					
	Speed Taps – 230 VOLTS			Speed Taps – 208 VOLTS		
	3	2 †	1	3	2 †	1
0	1036	871	774	929	746	663
0.1	1008	838	747	890	720	636
0.2	965	806	712	856	686	605
0.3	922	767	676	815	654	564
0.4	875	726	638	777	618	518
0.5	823	681	591	733	568	464
0.6	769	608	505	675	479	398
0.7	673	498	422	572	393	N/A
0.8	515	402	322	436	303	N/A
0.9	339	242	N/A	279	N/A	N/A

NOTES:

1. Values are with wet coil and without filters.
2. Contact your particular filter manufacturer for pressure drop data.
3. Electric heater pressure drop is negligible and is included within the airflow data.
4. † Factory Setting

TAM4A0A24S21 MINIMUM HEATER AIRFLOW CFM		
Heater	Minimum Air Speed Tap	
	With Heat Pump	Without Heat Pump
BAYEAAC04BK1 BAYEAAC04LG1	Tap 1	Tap 1
BAYEAAC05BK1 BAYEAAC05LG1	Tap 1	Tap 1
BAYEAAC08BK1 BAYEAAC08LG1	Tap 1	Tap 1
BAYEAAC10BK1 BAYEAAC10LG1	Tap 2 ②	Tap 1
BAYEAAC10LG3	Tap 3	Tap 1
BAYEABC15BK1	-	-
BAYEABC20BK1	-	-

SEE AIR HANDLER NAMEPLATE OR PRODUCT DATA FOR EXCEPTIONS
 ① Minimum Speed Tap is 3 for Horizontal Left only.

Note: Heating and cooling speeds are the same, factory set at Speed Tap #2.



TRANE®

Performance Data

TAM4A0B30 AIRFLOW PERFORMANCE TABLE

AIRFLOW PERFORMANCE						
TAM4A0A30S21						
EXTERNAL STATIC (in w.g)	AIRFLOW (CFM)					
	Speed Taps – 230 VOLTS			Speed Taps – 208 VOLTS		
	3	2 †	1	3	2 †	1
0	1202	1013	944	1145	867	798
0.1	1156	985	922	1102	847	779
0.2	1102	947	892	1059	838	774
0.3	1049	909	859	1006	795	733
0.4	1000	867	822	958	774	714
0.5	943	823	783	900	726	672
0.6	883	767	738	843	681	621
0.7	822	709	658	778	601	542
0.8	749	583	542	697	492	441
0.9	684	440	N/A	628	N/A	N/A
1.0	613	N/A	N/A	549	N/A	N/A

NOTES:
 1. Values are with wet coil and without filters.
 2. Contact your particular filter manufacturer for pressure drop data.
 3. Electric heater pressure drop is negligible and is included within the airflow data.
 4. † Factory Setting

TAM4A0A30S21 MINIMUM HEATER AIRFLOW CFM		
Heater	Minimum Air Speed Tap	
	With Heat Pump	Without Heat Pump
BAYEAAC04BK1 BAYEAAC04LG1	Tap 1	Tap 1
BAYEAAC05BK1 BAYEAAC05LG1	Tap 1	Tap 1
BAYEAAC08BK1 BAYEAAC08LG1	Tap 2	Tap 1
BAYEAAC10BK1 BAYEAAC10LG1	Tap 2	Tap 1
BAYEAAC10LG3	Tap 1	Tap 1
BAYEABC15BK1	Tap 3	Tap 2
BAYEABC15LG3	Tap 3 ①	Tap 1 ①
BAYEABC20BK1	-	-

SEE AIR HANDLER NAMEPLATE OR PRODUCT DATA FOR EXCEPTIONS
 ① Heater not qualified for 240V in downflow installations.

Note: Heating and cooling speeds are the same, factory set at Speed Tap #2.



Performance Data

TAM4A0B36 AIRFLOW PERFORMANCE TABLE

AIRFLOW PERFORMANCE						
TAM4A0A36S31						
EXTERNAL STATIC (in w.g)	AIRFLOW (CFM)					
	Speed Taps – 230 VOLTS			Speed Taps – 208 VOLTS		
	3	2 †	1	3	2 †	1
0	1456	1322	1170	1351	1189	1015
0.1	1417	1288	1140	1316	1164	990
0.2	1375	1254	1107	1279	1131	963
0.3	1328	1214	1075	1236	1100	938
0.4	1278	1179	1045	1197	1056	916
0.5	1239	1150	1018	1171	1030	888
0.6	1212	1117	983	1137	991	852
0.7	1164	1071	936	1092	948	807
0.8	1107	1017	877	1036	895	748
0.9	1040	942	799	967	828	688
1.0	953	843	724	882	753	608

NOTES:
 1. Values are with wet coil and without filters.
 2. Contact your particular filter manufacturer for pressure drop data.
 3. Electric heater pressure drop is negligible and is included within the airflow data.
 4. † Factory Setting

TAM4A0A36S31 MINIMUM HEATER AIRFLOW CFM		
Heater	Minimum Air Speed Tap	
	With Heat Pump	Without Heat Pump
BAYEAAC04BK1 BAYEAAC04LG1	Tap 1	Tap 1
BAYEAAC05BK1 BAYEAAC05LG1	Tap 1	Tap 1
BAYEAAC08BK1 BAYEAAC08LG1	Tap 2 ①	Tap 2 ①
BAYEAAC10BK1 BAYEAAC10LG1	Tap 3 ②	Tap 2 ②
BAYEAAC10LG3	Tap 1	Tap 1
BAYEABC15BK1	Tap 3	Tap 2
BAYEABC15LG3	Tap 3	Tap 1
BAYEABC20BK1	-	-

SEE AIR HANDLER NAMEPLATE OR PRODUCT DATA FOR EXCEPTIONS
 ① Heater not approved for Horizontal Left installations. Upflow installation approved for 240 Volts only.
 ② Approved for 240 Volts only. Approved for Upflow only.

Note: Heating and cooling speeds are the same, factory set at Speed Tap #2.



Performance Data

TAM4A0C42 AIRFLOW PERFORMANCE TABLE

AIRFLOW PERFORMANCE						
TAM4A0B42S31						
EXTERNAL STATIC (in w.g)	AIRFLOW (CFM)					
	Speed Taps – 230 VOLTS			Speed Taps – 208 VOLTS		
	3	2 †	1	3	2 †	1
0	1646	1495	1358	1522	1298	1138
0.1	1599	1464	1335	1489	1285	1137
0.2	1546	1421	1313	1449	1260	1120
0.3	1488	1380	1280	1401	1233	1099
0.4	1425	1329	1233	1348	1193	1065
0.5	1353	1264	1178	1281	1140	1023
0.6	1259	1182	1108	1202	1075	958
0.7	1145	1081	995	1102	965	868
0.8	982	909	839	926	817	753
0.9	788	759	731	761	713	N/A
1.0	563	N/A	N/A	538	N/A	N/A

NOTES:
 1. Values are with wet coil and without filters.
 2. Contact your particular filter manufacturer for pressure drop data.
 3. Electric heater pressure drop is negligible and is included within the airflow data.
 4. † Factory Setting

TAM4A0B42S31 MINIMUM HEATER AIRFLOW CFM		
Heater	Minimum Air Speed Tap	
	With Heat Pump	Without Heat Pump
BAYEAAC04BK1 BAYEAAC04LG1	Tap 1	Tap 1
BAYEAAC05BK1 BAYEAAC05LG1	Tap 1	Tap 1
BAYEAAC08BK1 BAYEAAC08LG1	Tap 1	Tap 1
BAYEAAC10BK1 BAYEAAC10LG1	Tap 1	Tap 1
BAYEAAC10LG3	Tap 1	Tap 1
BAYEABC15BK1	Tap 1	Tap 1
BAYEABC15LG3	Tap 3 ①	Tap 1 ①
BAYEABC20BK1	Tap 3	Tap 1

SEE AIR HANDLER NAMEPLATE OR PRODUCT DATA FOR EXCEPTIONS
 ① Heater not qualified for 240V in downflow installations

Note: Heating and cooling speeds are the same, factory set at Speed Tap #2.



Performance Data

TAM4A0C48 AIRFLOW PERFORMANCE TABLE

AIRFLOW PERFORMANCE						
TAM4A0C48S41						
EXTERNAL STATIC (in w.g)	AIRFLOW (CFM)					
	Speed Taps – 230 VOLTS			Speed Taps – 208 VOLTS		
	3	2 †	1	3	2 †	1
0	1904	1711	1541	1652	1455	1305
0.1	1881	1687	1529	1640	1450	1288
0.2	1844	1666	1511	1619	1425	1271
0.3	1806	1637	1485	1592	1410	1249
0.4	1766	1602	1454	1559	1381	1231
0.5	1716	1560	1420	1524	1351	1198
0.6	1659	1513	1380	1484	1321	1165
0.7	1594	1458	1333	1434	1283	1127
0.8	1525	1395	1277	1376	1229	1067
0.9	1442	1310	1194	1304	1149	N/A
1.0	1345	N/A	N/A	1194	N/A	N/A

NOTES:

1. Values are with wet coil and without filters.
2. Contact your particular filter manufacturer for pressure drop data.
3. Electric heater pressure drop is negligible and is included within the airflow data.
4. † Factory Setting

TAM4A0C48S41 MINIMUM HEATER AIRFLOW CFM		
Heater	Minimum Air Speed Tap	
	With Heat Pump	Without Heat Pump
BAYEAAC04BK1 BAYEAAC04LG1	Tap 1	Tap 1
BAYEAAC05BK1 BAYEAAC05LG1	Tap 1	Tap 1
BAYEAAC08BK1 BAYEAAC08LG1	Tap 1	Tap 1
BAYEAAC10BK1 BAYEAAC10LG1	Tap 1	Tap 1
BAYEAAC10LG3	Tap 1 ①	Tap 1 ①
BAYEABC15BK1	Tap 1	Tap 1
BAYEABC15LG3	Tap 1	Tap 1
BAYEABC20BK1	Tap 1	Tap 1
BAYEACC25BK1	Tap 3	Tap 2 ②

SEE AIR HANDLER NAMEPLATE OR PRODUCT DATA FOR EXCEPTIONS

① Heater not qualified for 208V in upflow installations

② Not approved for 208 Volts

Note: Heating and cooling speeds are the same, factory set at Speed Tap #2.



TRANE®

Performance Data

TAM4A0C60 AIRFLOW PERFORMANCE TABLE

AIRFLOW PERFORMANCE										
TAM4A0C60S51										
EXTERNAL STATIC (in w.g)	AIRFLOW (CFM)									
	Speed Taps – 230 VOLTS					Speed Taps – 208 VOLTS				
	5	4 †	3	2	1	5	4 †	3	2	1
0	2169	1956	1874	1739	1633	2165	2033	1871	1736	1629
0.1	2161	1916	1839	1696	1588	2155	1990	1833	1690	1582
0.2	2130	1889	1803	1667	1554	2121	1961	1795	1659	1545
0.3	2102	1850	1774	1628	1523	2090	1919	1763	1617	1511
0.4	2066	1818	1741	1596	1491	2052	1884	1727	1582	1477
0.5	2015	1785	1707	1564	1457	1998	1848	1690	1547	1440
0.6	1959	1754	1673	1520	1408	1939	1814	1653	1500	1389
0.7	1888	1716	1638	1477	1372	1880	1774	1615	1455	1349
0.8	1811	1680	1605	1440	1323	1820	1735	1580	1415	1298
0.9	1750	1628	1561	1403	1291	1770	1680	1533	1376	1263
1.0	1680	1604	1533	1368	1256	1725	1654	1503	1337	1226

NOTES:

1. Values are with wet coil and without filters.
2. Contact your particular filter manufacturer for pressure drop data.
3. Electric heater pressure drop is negligible and is included within the airflow data.
4. † Factory Setting

TAM4A0C60S51 MINIMUM HEATER AIRFLOW CFM		
Heater	Minimum Air Speed Tap	
	With Heat Pump	Without Heat Pump
BAYEAAAC04BK1 BAYEAAAC04LG1	Tap 2	Tap 2
BAYEAAAC05BK1 BAYEAAAC05LG1	Tap 2	Tap 2
BAYEAAAC08BK1 BAYEAAAC08LG1	Tap 3	Tap 2
BAYEAAAC10BK1 BAYEAAAC10LG1	Tap 3	Tap 2
BAYEAAAC10LG3	Tap 1	Tap 1
BAYEABC15BK1	Tap 4	Tap 3
BAYEABC15LG3	Tap 1	Tap 1
BAYEABC20BK1	Tap 4	Tap 3
BAYEACC25BK1	Tap 5	Tap 4
SEE AIR HANDLER NAMEPLATE OR PRODUCT DATA FOR EXCEPTIONS		

Note: Heating and cooling speeds are the same, factory set at Speed Tap #4 for the CTM motor.



TRANE®

Electrical Data

WIRING DATA											
TAM4A0A18S11											
Heater Model No.	No. of Circuits	240 VOLT					208 VOLT				
		Capacity		Heater Amps per Circuit	Minimum Circuit Ampacity	Maximum Overload Protection	Capacity		Heater Amps per Circuit	Minimum Circuit Ampacity	Maximum Overload Protection
		kW	BTUH				kW	BTUH			
No Heater	-	-	-	2.0**	3	15	-	-	2.0**	3	15
BAYEAAC04++1	1	3.84	13100	16	23	25	2.88	9800	13.80	20	20
BAYEAAC05++1	1	4.80	16400	20	28	30	3.60	12300	17.30	24	25
BAYEAAC08++1	1	7.68	26200	32	43	45	5.76	19700	27.70	37	40
BAYEAAC10++1	1	9.60	32800	40	53	60	7.20	24600	34.60	46	50
BAYEAAC10LG3	1-3PH	9.60	32800	23.1	31	35	7.20	24600	20.00	27	30

Note: ** Motor Amps

WIRING DATA											
TAM4A0A24S21											
Heater Model No.	No. of Circuits	240 VOLT					208 VOLT				
		Capacity		Heater Amps per Circuit	Minimum Circuit Ampacity	Maximum Overload Protection	Capacity		Heater Amps per Circuit	Minimum Circuit Ampacity	Maximum Overload Protection
		kW	BTUH				kW	BTUH			
No Heater	-	-	-	1.3**	2	15	-	-	1.3**	2	15
BAYEAAC04++1	1	3.84	13100	16	22	25	2.88	9800	13.80	19	20
BAYEAAC05++1	1	4.80	16400	20	27	30	3.60	12300	17.30	23	25
BAYEAAC08++1	1	7.68	26200	32	42	45	5.76	19700	27.70	36	40
BAYEAAC10++1①	1	9.60	32800	40	52	60	7.20	24600	34.60	45	45
BAYEAAC10LG3	1-3PH	9.60	32800	23.1	30	30	7.20	24600	20.00	26	30

Note: ** Motor Amps
① For heat pump, minimum Speed Tap is 3 for Horizontal Left only.



TRANE®

Electrical Data

WIRING DATA											
TAM4A0A30S21											
Heater Model No.	No. of Circuits	240 VOLT					208 VOLT				
		Capacity		Heater Amps per Circuit	Minimum Circuit Ampacity	Maximum Overload Protection	Capacity		Heater Amps per Circuit	Minimum Circuit Ampacity	Maximum Overload Protection
		kW	BTUH				kW	BTUH			
No Heater	-	-	-	1.7**	2	15	-	-	1.7**	2	15
BAYEAC04++1	1	3.84	13100	16	22	25	2.88	9800	13.80	19	20
BAYEAC05++1	1	4.80	16400	20	27	30	3.60	12300	17.3	24	25
BAYEAC08++1	1	7.68	26200	32	42	45	5.76	19700	27.7	37	40
BAYEAC10++1	1	9.60	32800	40	52	60	7.20	24600	34.6	45	45
BAYEAC10LG3	1-3PH	9.60	32800	23.1	31	35	7.20	24600	20.00	27	30
BAYEABC15LG3 ①	1-3PH	14.40	49200	34.6	45	45	10.80	36900	30.00	39	40
BAYEABC15++1	2										
circuit 1		9.60	32800	40	52	60	7.20	24600	34.6	45	45
circuit 2		4.80	16400	20	25	25	3.60	12300	17.3	22	25

Note: ** Motor Amps
 ① Heater not qualified for 240V in downflow installations.

WIRING DATA											
TAM4A0A36S31											
Heater Model No.	No. of Circuits	240 VOLT					208 VOLT				
		Capacity		Heater Amps per Circuit	Minimum Circuit Ampacity	Maximum Overload Protection	Capacity		Heater Amps per Circuit	Minimum Circuit Ampacity	Maximum Overload Protection
		kW	BTUH				kW	BTUH			
No Heater	-	-	-	2.4**	3	15	-	-	2.4**	3	15
BAYEAC04++1	1	3.84	13100	16	23	25	2.88	9800	13.80	20	20
BAYEAC05++1	1	4.80	16400	20	28	30	3.60	12300	17.3	25	25
BAYEAC08++1 ①	1	7.68	26200	32	43	45	5.76	19700	27.7	38	40
BAYEAC10++1 ②	1	9.60	32800	40	53	60	N/A ②	N/A ②	N/A ②	N/A ②	N/A ②
BAYEAC10LG3	1-3PH	9.60	32800	23.1	32	35	7.20	24600	20.0	28	30
BAYEABC15LG3	1-3PH	14.40	49200	34.6	46	50	10.80	36900	30.0	40	40
BAYEABC15++1	2										
circuit 1		9.60	32800	40	53	60	7.20	24600	34.6	46	50
circuit 2		4.80	16400	20	25	25	3.60	12300	17.3	22	25

Note: ** Motor Amps
 ① Heater not approved for Horizontal Left installations. Upflow Installation approved for 240 Volts only.
 ② Approved for 240 Volts only. Approved for Upflow only.

Notes:
 1. See Air Handler Nameplate for approved combinations of Air Handlers and Heaters.
 2. Heater model number may have additional suffix digits.



Electrical Data

WIRING DATA											
TAM4A0B42S31											
Heater Model No.	No. of Circuits	240 VOLT					208 VOLT				
		Capacity		Heater Amps per Circuit	Minimum Circuit Ampacity	Maximum Overload Protection	Capacity		Heater Amps per Circuit	Minimum Circuit Ampacity	Maximum Overload Protection
		kW	BTUH				kW	BTUH			
No Heater	-	-	-	2.7**	3	15	-	-	2.7**	3	15
BAYEAAC04++1	1	3.84	13100	16	23	25	2.88	9800	13.80	21	25
BAYEAAC05++1	1	4.80	16400	20	28	30	3.60	12300	17.3	25	25
BAYEAAC08++1	1	7.68	26200	32	43	45	5.76	19700	27.7	38	40
BAYEAAC10++1	1	9.60	32800	40	53	60	7.20	24600	34.6	47	50
BAYEAAC10LG3	1-3PH	9.60	32800	23.1	32	35	7.20	24600	20.0	28	30
BAYEABC15LG3①	1-3PH	14.40	49200	34.6	46	50	10.80	36900	30.0	40	40
BAYEABC15++1	2										
circuit 1		9.60	32800	40	53	60	7.20	24600	34.6	47	50
circuit 2		4.80	16400	20	25	25	3.60	12300	17.3	22	25
BAYEABC20++1	2										
circuit 1		9.60	32800	40	53	60	7.20	24600	34.6	53	60
circuit 2		9.60	32800	40	50	50	7.20	24600	34.6	43	45

Note: ** Motor Amps
 ① Heater not qualified for 240V in downflow installations

Notes:
 1. See Air Handler Nameplate for approved combinations of Air Handlers and Heaters.
 2. Heater model number may have additional suffix digits.



TRANE®

Electrical Data

WIRING DATA											
TAM4A0C48S41											
Heater Model No.	No. of Circuits	240 VOLT					208 VOLT				
		Capacity		Heater Amps per Circuit	Minimum Circuit Ampacity	Maximum Overload Protection	Capacity		Heater Amps per Circuit	Minimum Circuit Ampacity	Maximum Overload Protection
		kW	BTUH				kW	BTUH			
No Heater	-	-	-	3.1**	4	15	-	-	3.1**	4	15
BAYEAAC04++	1	3.84	13100	16	24	25	2.88	9800	13.80	21	25
BAYEAAC05++	1	4.80	16400	20.0	29	30	3.60	12300	17.3	26	30
BAYEAAC08++	1	7.68	26200	32.0	44	45	5.76	19700	27.7	38	40
BAYEAAC10++	1	9.60	32800	40.0	54	60	7.20	24600	34.6	47	50
BAYEAAC10LG3①	1-3PH	9.60	32800	23.1	32	35	7.20	24600	20.0	28	30
BAYEABC15LG3	1-3PH	14.40	49200	34.6	47	50	10.80	36900	30.0	41	45
BAYEABC15++	2										
circuit 1		9.60	32800	40.0	54	60	7.20	24600	34.6	47	50
circuit 2		4.80	16400	20.0	25	25	3.60	12300	17.3	22	25
BAYEABC20++	2										
circuit 1		9.60	32800	40.0	54	60	7.20	24600	34.6	53	60
circuit 2		9.60	32800	40.0	50	50	7.20	24600	34.6	43	45
BAYEACC25++ ②	3										
circuit 1		9.60	32800	40.0	54	60	7.20	24600	34.6	47	50
circuit 2		9.60	32800	40.0	50	50	7.20	24600	34.6	43	45
circuit 3		4.80	16400	20.0	25	25	3.60	12300	17.3	22	25

Note: ** Motor Amps
 ① Heater not qualified for 208V in upflow installations
 ② Not approved for 208 Volt without Heat Pump

- Notes:
 1. See Air Handler Nameplate for approved combinations of Air Handlers and Heaters.
 2. Heater model number may have additional suffix digits.



TRANE®

Electrical Data

WIRING DATA											
TAM4A0C60S51											
Heater Model No.	No. of Circuits	240 VOLT					208 VOLT				
		Capacity		Heater Amps per Circuit	Minimum Circuit Ampacity	Maximum Overload Protection	Capacity		Heater Amps per Circuit	Minimum Circuit Ampacity	Maximum Overload Protection
		kW	BTUH				kW	BTUH			
No Heater	-	-	-	7.6**	10	15	-	-	7.6**	10	15
BAYEAAC04++	1	3.84	13100	16	30	30	2.88	9800	13.80	27	30
BAYEAAC05++	1	4.80	16400	20.0	35	35	3.60	12300	17.3	31	35
BAYEAAC08++	1	7.68	26200	32.0	50	50	5.76	19700	27.7	44	45
BAYEAAC10++	1	9.60	32800	40.0	60	60	7.20	24600	34.6	53	60
BAYEAAC10LG3	1-3PH	9.60	32800	23.1	37	40	7.20	24600	20.0	34	35
BAYEABC15LG3	1-3PH	14.40	49200	34.6	52	60	10.80	36900	30.0	46	50
BAYEABC15++	2										
circuit 1		9.60	32800	40.0	60	60	7.20	24600	34.6	53	60
circuit 2		4.80	16400	20.0	25	25	3.60	12300	17.3	22	25
BAYEABC20++	2										
circuit 1		9.60	32800	40.0	60	60	7.20	24600	34.6	53	60
circuit 2		9.60	32800	40.0	50	50	7.20	24600	34.6	43	45
BAYEACC25++	3										
circuit 1		9.60	32800	40.0	60	60	7.20	24600	34.6	53	60
circuit 2		9.60	32800	40.0	50	50	7.20	24600	34.6	43	45
circuit 3		4.80	16400	20.0	25	25	3.60	12300	17.3	22	25

Note: ** Motor Amps

- Notes:
1. See Air Handler Nameplate for approved combinations of Air Handlers and Heaters.
 2. Heater model number may have additional suffix digits.



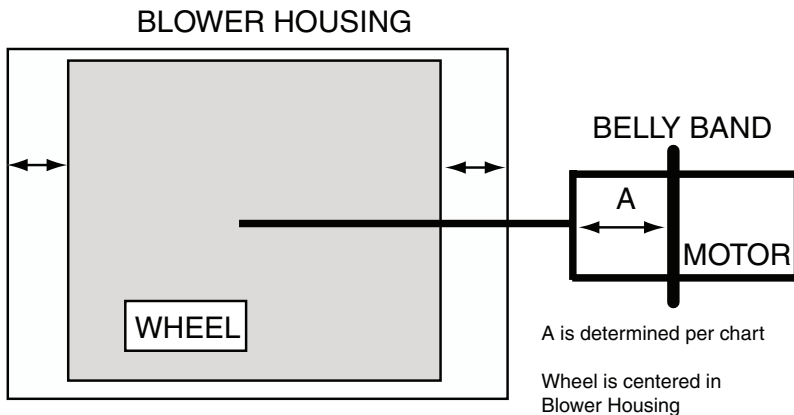
Electrical Data

TAM4 AIR HANDLER AND HEATER MATRIX – ALLOWBLE COMBINATIONS

APPROVED AIR HANDLER - HEATER COMBINATIONS						
AIR HANDLER	HEATER MODEL NUMBER					
MODEL NUMBER	BAYEAAC04BK1 BAYEAAC04LG1 3.68 kW	BAYEAAC08BK1 BAYEAAC08LG1 7.68 kW	BAYEAAC10BK1 BAYEAAC10LG1 9.60 kW	BAYEABC15BK1 14.40 kW	BAYEABC20BK1 19.20 kW	BAYEACC25BK1 24.00
	BAYEAAC05BK1 BAYEAAC05LG1 4.80 kW		BAYEAAC10LG3 9.60 kW	BAYEABC15LG3 14.40 kW		
TAM4A0A18S11	Y	Y	Y	-	-	-
TAM4A0A24S21	Y	Y	Y	-	-	-
TAM4A0A30S21	Y	Y	Y	Y	-	-
TAM4A0A36S31	Y	Y	Y	Y	-	-
TAM4A0B42S31	Y	Y	Y	Y	Y	-
TAM4A0C48S41	Y	Y	Y	Y	Y	Y
TAM4A0C60S51	Y	Y	Y	Y	Y	Y

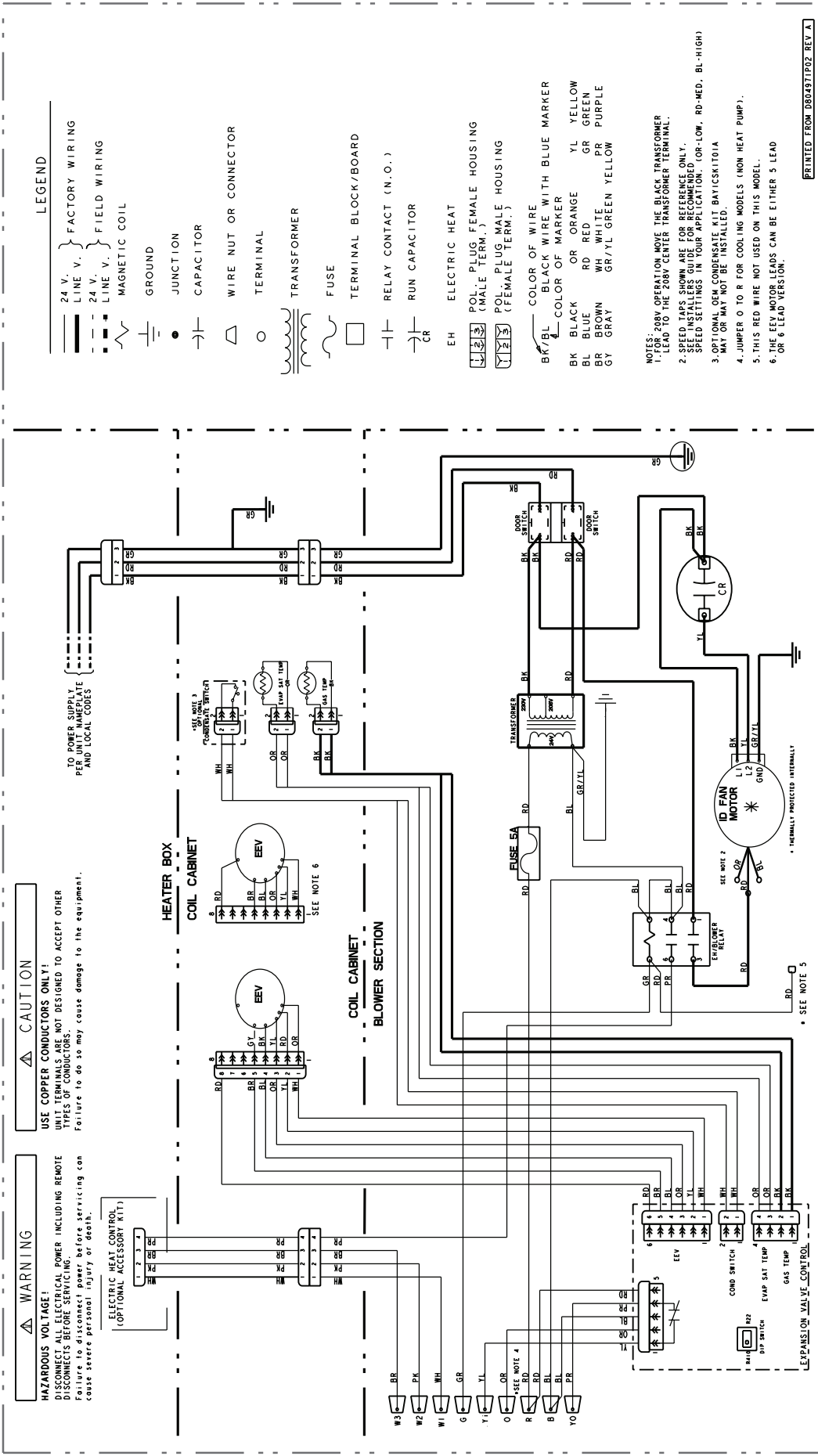
BK = Breaker
LG = Lug Terminal

DISTANCE FROM BELLY BAND TO SHAFT FACE OF MOTOR FOR MINIMUM VIBRATION



MODEL	DIM "A"
TAM4A0A18S11	1-1/8
TAM4A0A24S21	2-11/16
TAM4A0A30S21	1-9/16
TAM4A0A36S31	1-11/16
TAM4A0B42S31	3
TAM4A0C48S41	2-13/16
TAM4A0C60S51	2-1/4
For factory OEM motors	

WIRING DIAGRAM FOR TAM4A0A18 THROUGH TAM4A0C48 AIR HANDLERS (1.5 – 4 TON)



WIRING DIAGRAM FOR TAM4A0C60 AIR HANDLER (5 TON)

WARNING

HAZARDOUS VOLTAGE!
DISCONNECT ALL ELECTRICAL POWER INCLUDING REMOTE DISCONNECTS BEFORE SERVICING.
Failure to disconnect power before servicing can cause severe personal injury or death.

CAUTION

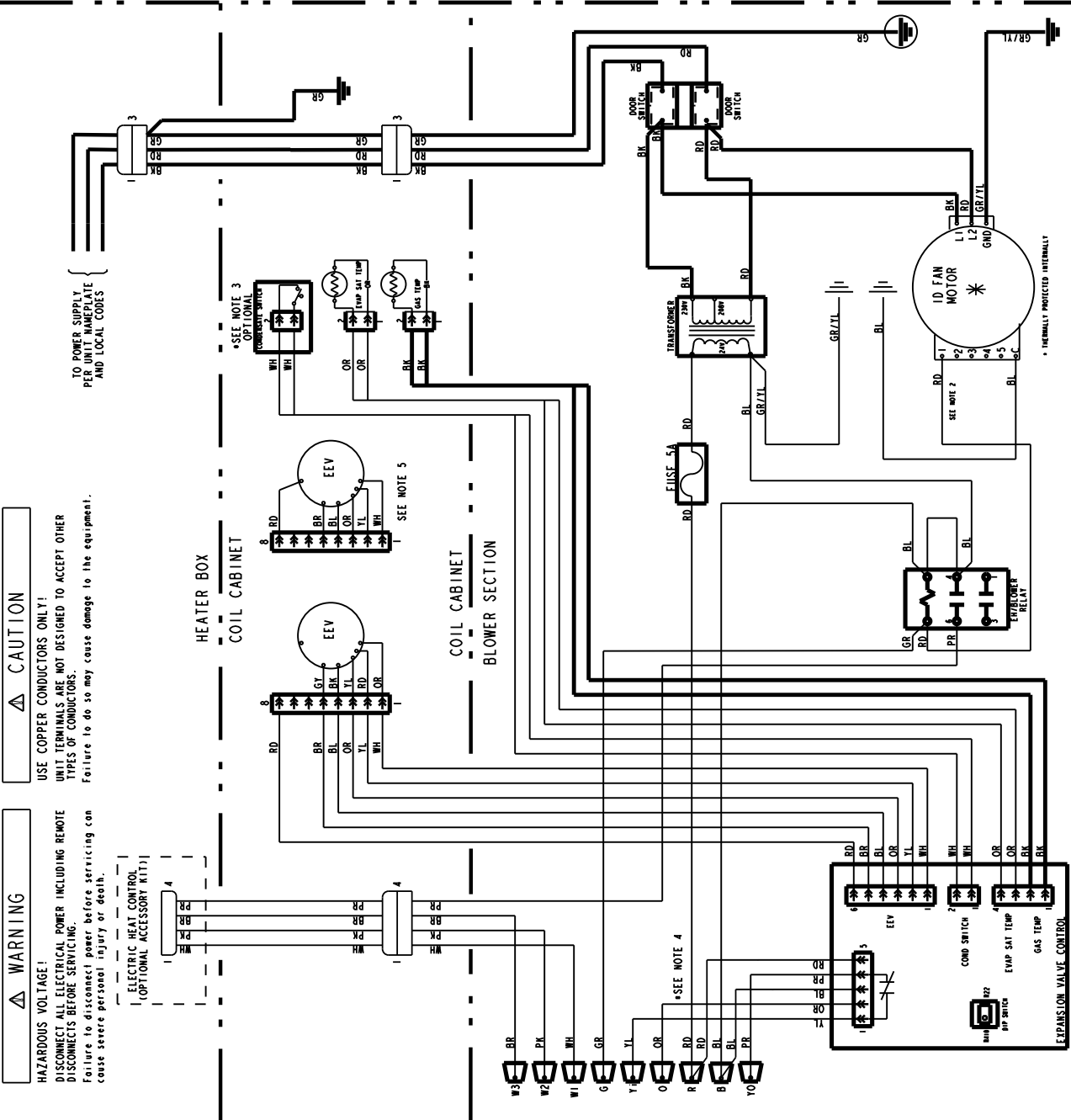
USE COPPER CONDUCTORS ONLY!
UNIT TERMINALS ARE NOT DESIGNED TO ACCEPT OTHER TYPES OF CONDUCTORS.
Failure to do so may cause damage to the equipment.

LEGEND

- 24 V. LINE V. } FACTORY WIRING
- 24 V. LINE V. } FIELD WIRING
- MAGNETIC COIL
- GROUND
- JUNCTION
- CAPACITOR
- WIRE NUT OR CONNECTOR
- TERMINAL
- TRANSFORMER
- FUSE
- TERMINAL BLOCK/BOARD
- RELAY CONTACT (N.O.)
- RUN CAPACITOR
- CR
- EH
- ELECTRIC HEAT

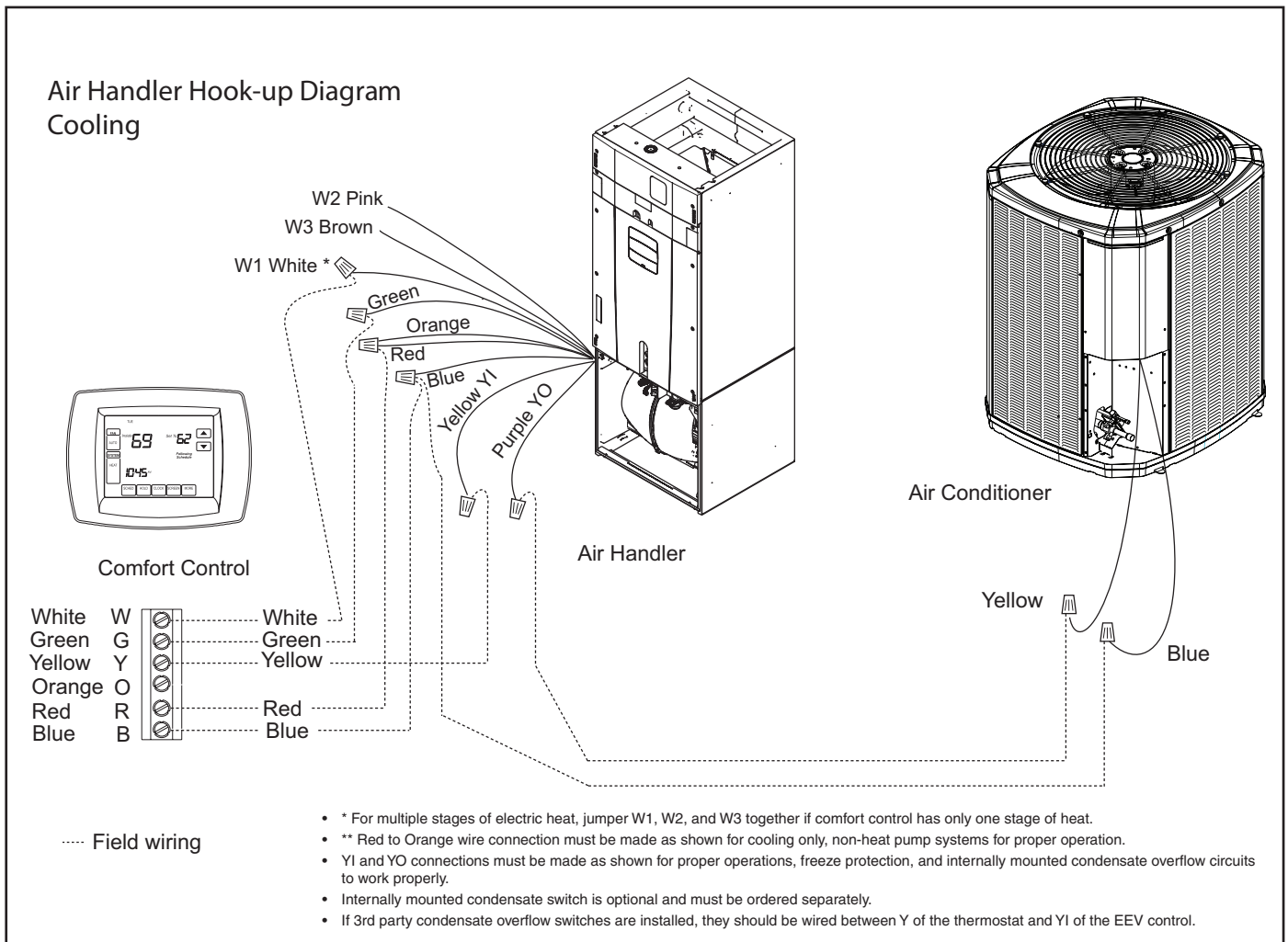
- POL. PLUG FEMALE HOUSING (MALE TERM.)
- POL. PLUG MALE HOUSING (FEMALE TERM.)
- COLOR OF WIRE
- BK/BL BLACK WIRE WITH BLUE MARKER
- BK BLACK
- BL BLUE
- RD RED
- OR ORANGE
- YL YELLOW
- GR GREEN
- BR BROWN
- WH WHITE
- PR PURPLE
- GR/YL GR/YL GREEN YELLOW

- NOTES:
- FOR 208V OPERATION MOVE THE BLACK TRANSFORMER LEAD TO THE 208V CENTER TRANSFORMER TERMINAL.
 - SPEED TAPS SHOWN ARE FOR REFERENCE ONLY. SPEED TAP SETTINGS ARE NOT RECOMMENDED UNLESS OTHERWISE SPECIFIED IN YOUR APPLICATION.
 - OPTIONAL OEM CONDENSATE KIT BAYC5KIT01A MAY OR MAY NOT BE INSTALLED.
 - JUMPER 0 TO R FOR COOLING MODELS (NON HEAT PUMP)
 - THE EEV MOTOR LEADS CAN BE EITHER 5 LEAD OR 6 LEAD VERSION.



Field Wiring

TAM4 AIR HANDLERS WITH SINGLE SPEED COOLING

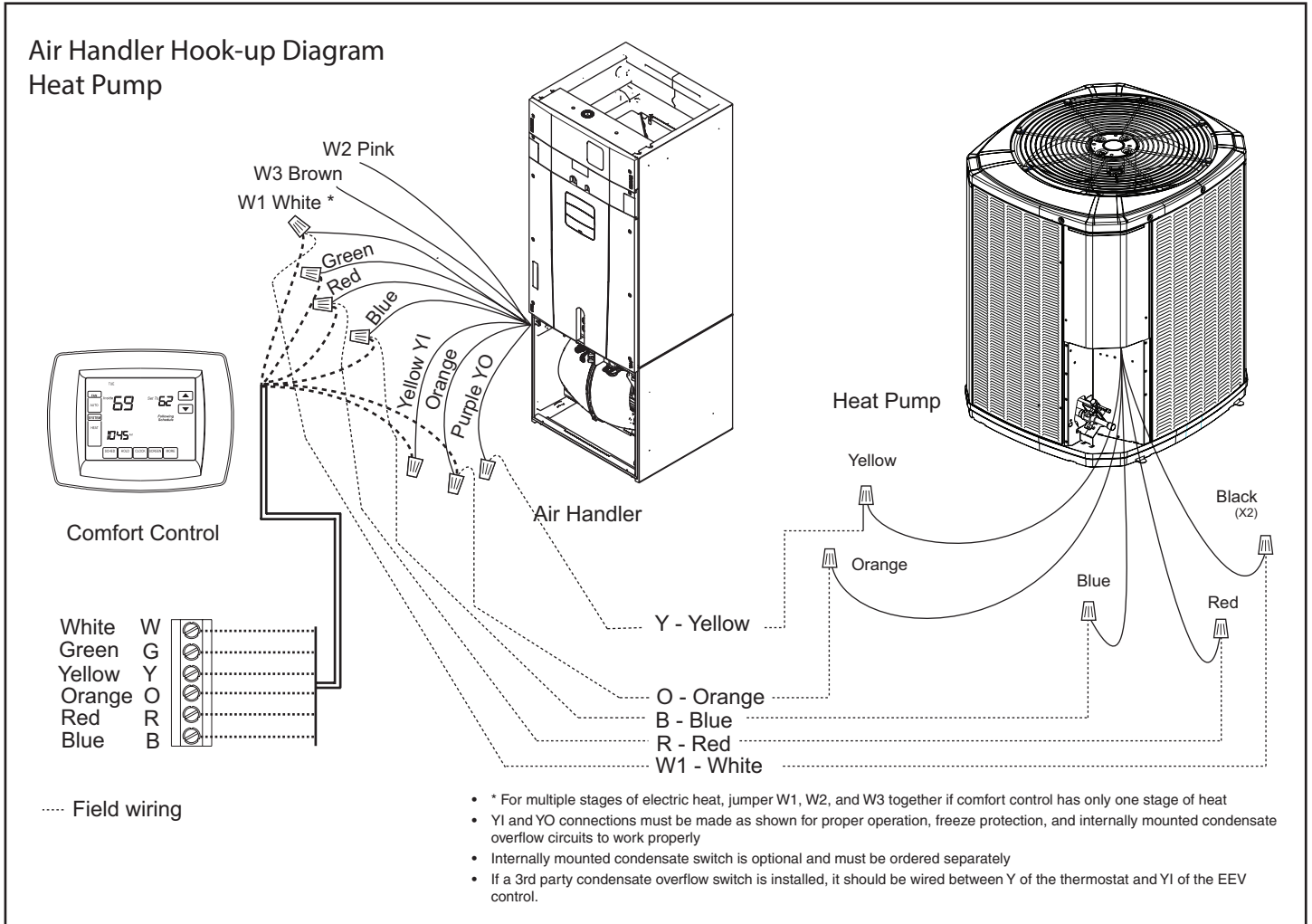




TRANE®

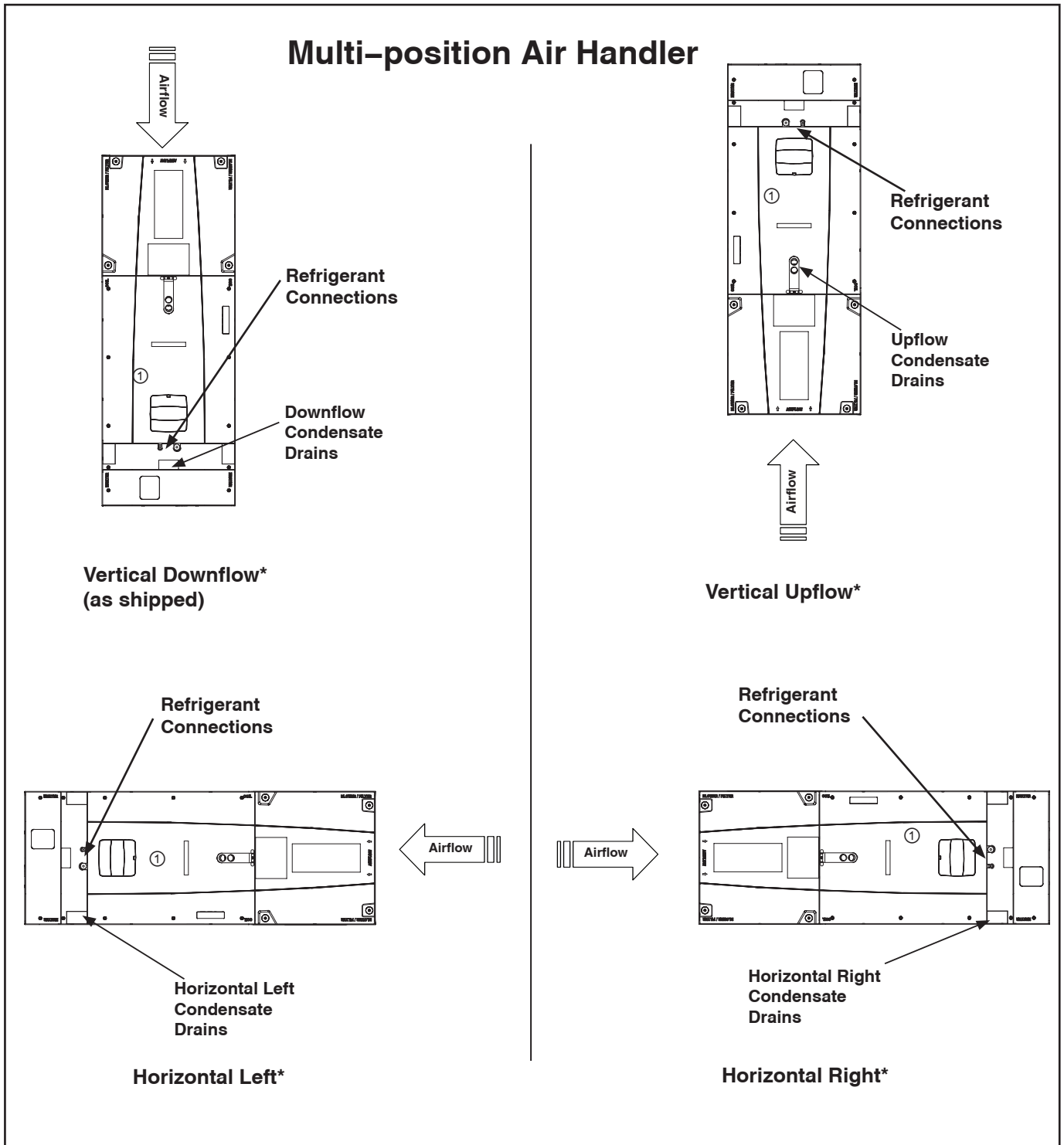
Field Wiring

TAM4 AIR HANDLERS WITH SINGLE SPEED HEAT PUMP



TAM4 Convertibility

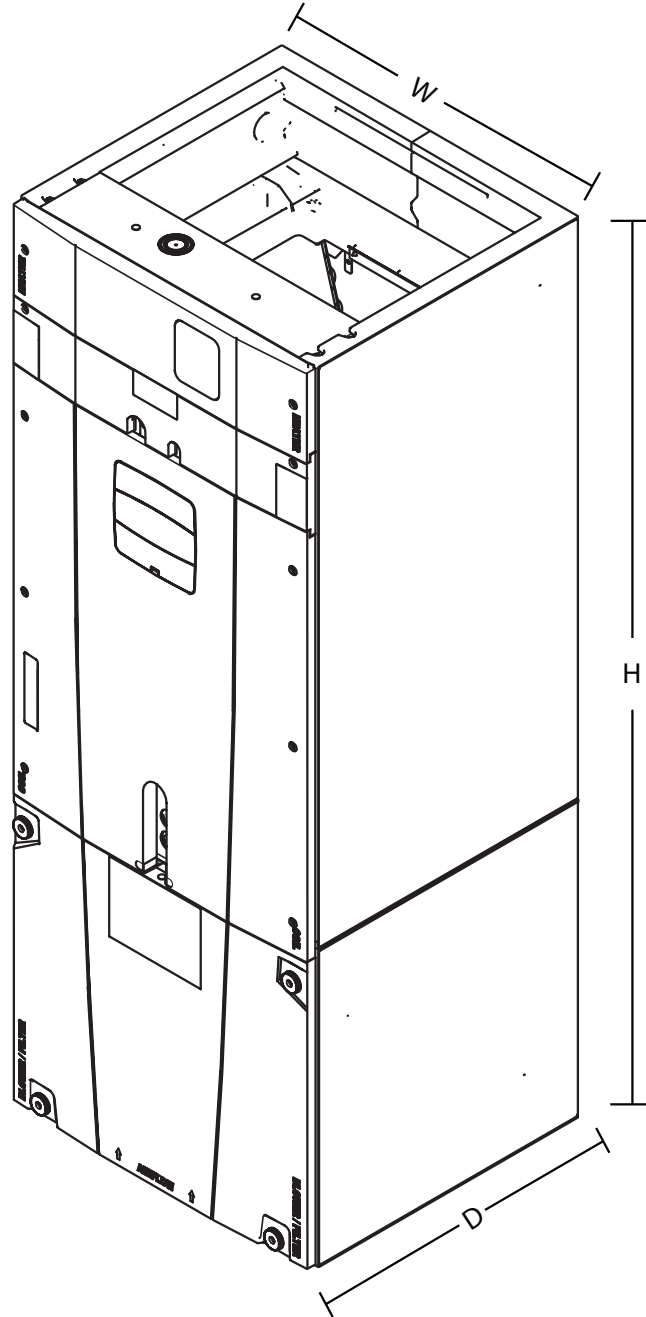
* Note: No internal modifications required for any position.
 ① Badge rotation will keep brand in correct position





Dimensions

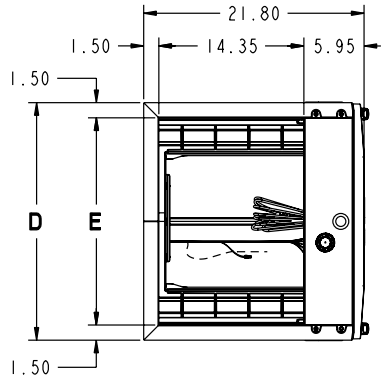
TAM4 AIR HANDLER DIMENSIONAL DATA



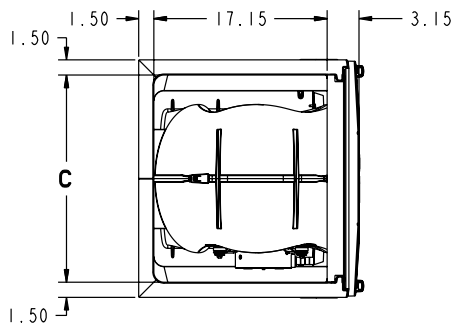
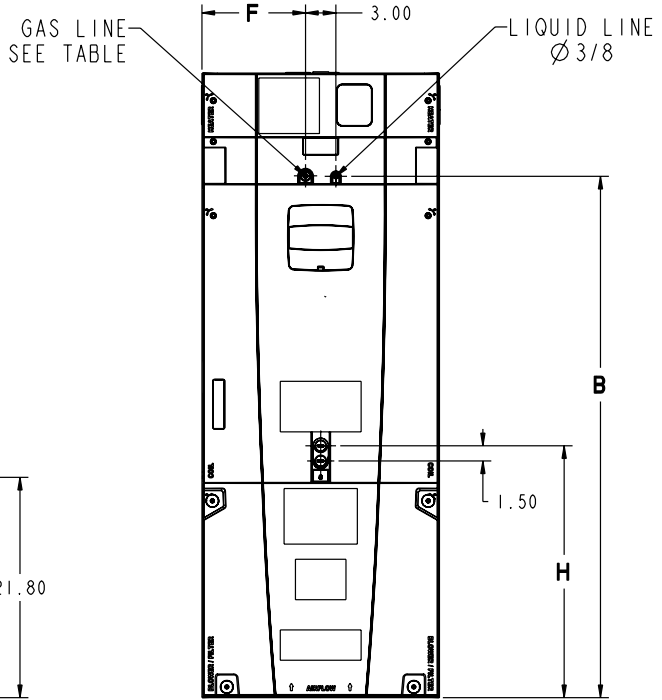
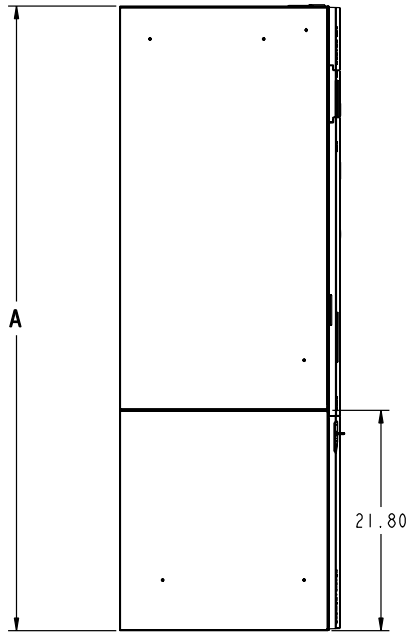
Model No.	H	W
TAM4A0A18	49.9	17.5
TAM4A0A24	49.9	17.5
TAM4A0A30	49.9	17.5
TAM4A0A36	49.9	17.5
TAM4A0B42	55.7	21.3
TAM4A0C48	56.9	23.5
TAM4A0C60	61.7	23.5

TAM4 AIR HANDLERS ARE ALL TWO
PIECE CABINETS.

TAM4 OUTLINE DRAWING



MINIMUM UNIT CLEARANCE TABLE		
	TO COMBUSTIBLE MATERIAL (REQUIRED)	SERVICE CLEARANCE (RECOMMENDED)
SIDES	0"	2"
FRONT	0"	21"
BACK	0"	0"
INLET DUCT	0"	
OUTLET DUCT	0"	



MODEL NO.	A	B	C	D	E	F	H	FLOW CONTROL	GAS LINE BRAZE
TAM4A0A18	49.9	39.6	14.5	17.5	14.5	7.3	26.7	EEV/24V	3/4
TAM4A0A24	49.9	39.6	14.5	17.5	14.5	7.3	26.7	EEV/24V	3/4
TAM4A0A30	49.9	39.6	14.5	17.5	14.5	7.3	26.7	EEV/24V	3/4
TAM4A0A36	49.9	39.6	14.5	17.5	14.5	7.3	24.4	EEV/24V	3/4
TAM4A0B42	55.7	45.5	18.4	21.3	18.4	9.2	24.8	EEV/24V	7/8
TAM4A0C48	56.9	46.7	20.5	23.5	20.5	10.3	24.2	EEV/24V	7/8
TAM4A0C60	61.7	51.5	20.5	23.5	20.5	10.3	27.0	EEV/24V	7/8



Trane - by Trane Technologies (NYSE: TT), a global climate innovator - creates comfortable, energy efficient indoor environments for commercial and residential applications. For more information, please visit trane.com or tranetechnologies.com.



The AHRI Certified mark indicates Trane U.S. Inc. participation in the AHRI Certification program. For verification of individual certified products, go to ahridirectory.org.

Trane has a policy of continuous data improvement and it reserves the right to change design and specifications without notice. We are committed to using environmentally conscious print practices.