

INSTALLER'S GUIDE

ALL phases of this installation must comply with NATIONAL,
STATE AND LOCAL CODES

Models:

BAYHTR1605BRKA
BAYHTR1610BRKA
BAYHTR1615BRKA
BAYHTR1620BRKA

Supplementary Electric Heaters

for E4AH Air Handlers

SAFETY

WARNING may cause personal death or serious injury.

CAUTION may lead to injury or structural damage under some conditions.

WARNING

HAZARDOUS VOLTAGE!

DISCONNECT ALL ELECTRIC POWER INCLUDING REMOTE
DISCONNECTS BEFORE SERVICING INSURE THAT ALL
MOTOR CAPACITORS HAVE DISCHARGED STORED VOLTAGE.

FAILURE TO DO THE ABOVE COULD RESULT IN DEATH OR
SERIOUS INJURY.

WARNING

FIBERGLASS WOOL EXPOSURE!

REFER TO OWNER'S INFORMATION MANUAL PROVIDED
WITH THIS UNIT FOR PROPER INSTALLATION, OPERATING
AND MAINTENANCE INSTRUCTIONS.

DISTURBING THE INSULATION IN THIS PRODUCT DURING
INSTALLATION, MAINTENANCE OR REPAIR WILL EXPOSE YOU
TO AIRBORNE PARTICLES OF GLASS WOOL FIBERS AND
CERAMIC FIBERS KNOWN TO THE STATE OF CALIFORNIA TO
CAUSE CANCER THROUGH INHALATION. GLASS WOOL
FIBERS COULD ALSO CAUSE RESPIRATORY, SKIN OR EYE
IRRITATION.

WARNING

FIRE HAZARD!

WITH HEAT PUMP INSTALLATIONS, SOME ELECTRIC
HEATERS ARE POSITION SENSITIVE. USE ONLY APPROVED
HEATER TO UNIT COMBINATIONS PER NAMEPLATE AND SET
BLOWER AIRFLOW SPEED PER NAMEPLATE INSTRUCTIONS.

WHEN HEATERS COME SUPPLIED WITH CIRCUIT BREAKERS,
USE 240/208 VOLT SUPPLY POWER WITH 120 VOLTS
(NOMINAL) TO GROUND.

FAILURE TO FOLLOW THE ABOVE COULD RESULT IN DEATH,
SERIOUS INJURY OR EQUIPMENT DAMAGE.



ATTENTION INSTALLING PERSONNEL

Prior to installation, thoroughly familiarize yourself with this Installation Manual. Observe all safety warnings. During installation or repair, caution is to be observed. It is your responsibility to install the product safely and to educate the customer on its safe use.

1.1 Electrical Data

Table 1. Electrical data

Model Number	Voltage-Phase-Hz	Power Supply Wiring Gauge	Motor HP	Motor Steps	Minimum Circuit AMPS	Fuse (A)
E4AH5E24A1J30A	208/230-1Ph-60Hz	14	1/3	5	3.0	15
E4AH5E36A1J30A			1/2		5.2	
E4AH5E48A1K30A			3/4		7.5	
E4AH5E60A1K30A			3/4		7.5	

1.2 Electric Heat Data

Table 2. Electric heat data

Kit Model	Model Number	Electric Heat (kW)	MIN. Circuit Ampacity		MAX. Fuse or Breaker (HACR) Ampacity		Fan speed				
			208	230	208	230	1	2	3	4	5
BAYHTR1605BRKA	E4AH5E 24A1J30A	5	23	25	25	30	×	×	•	•	•
BAYHTR1610BRKA		10	45	50	50	60	×	×	•	•	•
BAYHTR1605BRKA	E4AH5E 36A1J30A	5	23	25	25	30	×	×	•	•	•
BAYHTR1610BRKA		10	45	50	50	60	×	×	•	•	•
BAYHTR1615BRKA		5+10	23+45	25+50	50+25	60+30	×	×	•	•	•
BAYHTR1605BRKA		5	23	25	25	30	×	×	•	•	•
BAYHTR1610BRKA	E4AH5E 48A1K30A	10	45	50	50	60	×	×	•	•	•
BAYHTR1615BRKA		5+10	23+45	25+50	50+25	60+30	×	×	•	•	•
BAYHTR1620BRKA		10+10	45+45	50+50	50+50	60+60	×	×	×	•	•
BAYHTR1605BRKA		5	23	25	25	30	×	×	•	•	•
BAYHTR1610BRKA	E4AH5E 60A1K30A	10	45	50	50	60	×	×	•	•	•
BAYHTR1615BRKA		5+10	23+45	25+50	50+25	60+30	×	×	•	•	•
BAYHTR1620BRKA		10+10	45+45	50+50	50+50	60+60	×	×	×	•	•

*MCA and Max Fuse Ampacity contains the motor amps.

Electric heat kits are suitable for air handler multiple position installation. • means available × means unavailable.

Safety Cautions All electric work must be performed by qualified personnel.

BAYHTR16** series is designed and approved to be installed in the AMERISTAR or RUNTRU series air handlers.

- Check the BAYHTR16** label to confirm BAYHTR16** size based on room load under lowest ambient temperature.
- Inspect all heating elements and whether heater element wires. Contact local distributor immediately if there is any occurred damage.

Warning

- Disconnect all external power supplies before performing installation and servicing. Turn off accessory heater power switch if applicable. Failure to do so may cause serious injury.
- BAYHTR16** must be properly grounded and use copper supply wires.
- Make sure to follow national electric code and local regulations.
- When installing it in an enclosed area such as a garage, heater elements should have a minimum clearance of 18" from the floor to insure the proper ventilation.

1.3 Available electric auxiliary heater

When unit is installed with electric auxiliary heater, the fan speed selection must meet the following static pressure requirements, and the gray boxes part is not allowed to use electric auxiliary heating.

Model	Motor Speed	Available electric auxiliary heater									
		External Static Pressure-Inches W.C.[Psi]									
		0	0.1	0.16	0.2	0.3	0.4	0.5	0.6	0.7	0.8
		[0]	[.003]	[.023]	[.029]	[.044]	[.058]	[.072]	[.087]	[.102]	[.116]
E4AH5E24A1J30A	Tap (5)	5-10kW									
	Tap (4)	5-10kW									
	Tap (3)	5-10kW									
	Tap (2)										
	Tap (1)										
E4AH5E36A1J30A	Tap (5)	5-15kW									
	Tap (4)	5-15kW									
	Tap (3)	5-15kW									
	Tap (2)										
	Tap (1)										
E4AH5E48A1J30A	Tap (5)	5-20kW									
	Tap (4)	5-20kW									
	Tap (3)	5-15kW									
	Tap (2)										
	Tap (1)										
E4AH5E60A1J30A	Tap (5)	5-20kW									
	Tap (4)	5-20kW									
	Tap (3)	5-15kW									
	Tap (2)										
	Tap (1)										

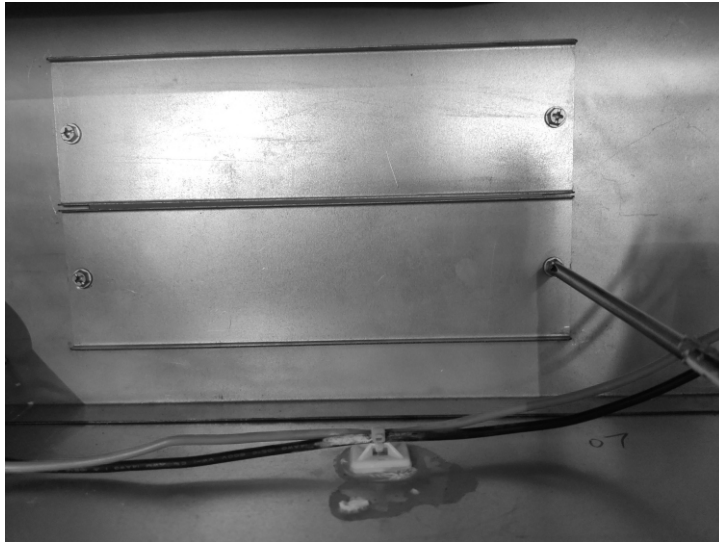
1.4 INSTALLATION INSTRUCTIONS "BAYHTR16**" Electric Heater Kits For use in Air Handlers ATTENTION INSTALLING PERSONNEL

Prior to installation, thoroughly familiarize yourself with this installation manual. Observe all safety warnings. During installation or repair, caution is to be observed. It is your responsibility to install the product safely and to educate the customer on its safe use.

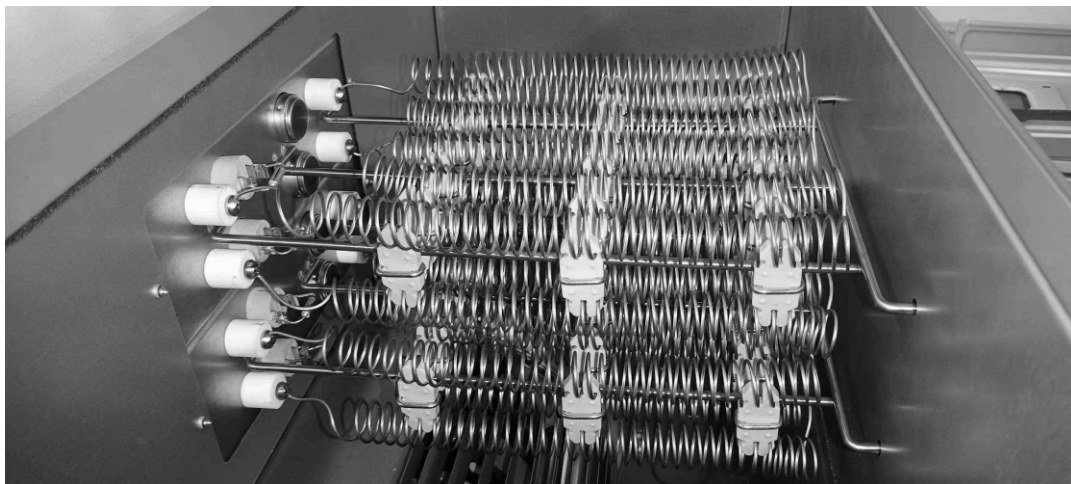
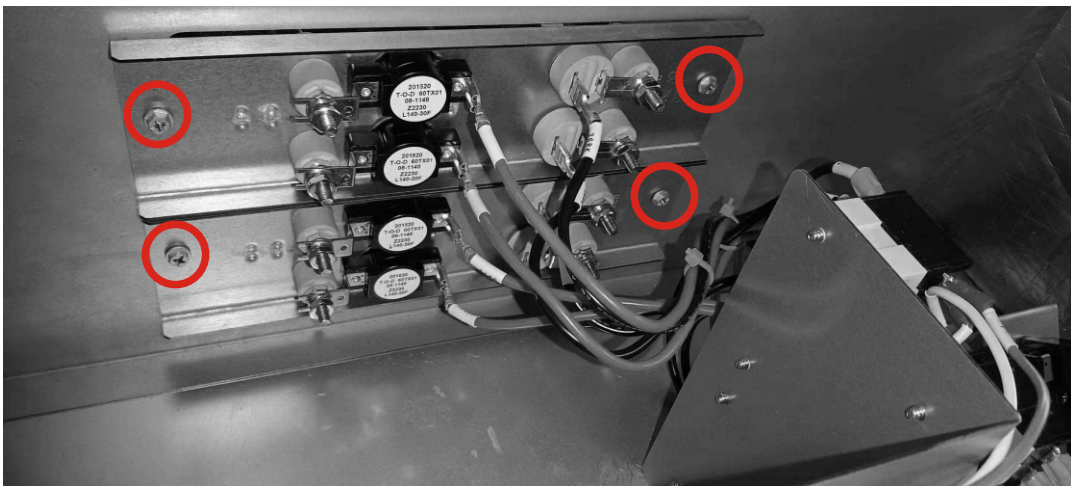
STEP 1. Unfasten 4 screws to take away the blower access panel of the air handler.



STEP 2.Remove the cover plate from the air handler.

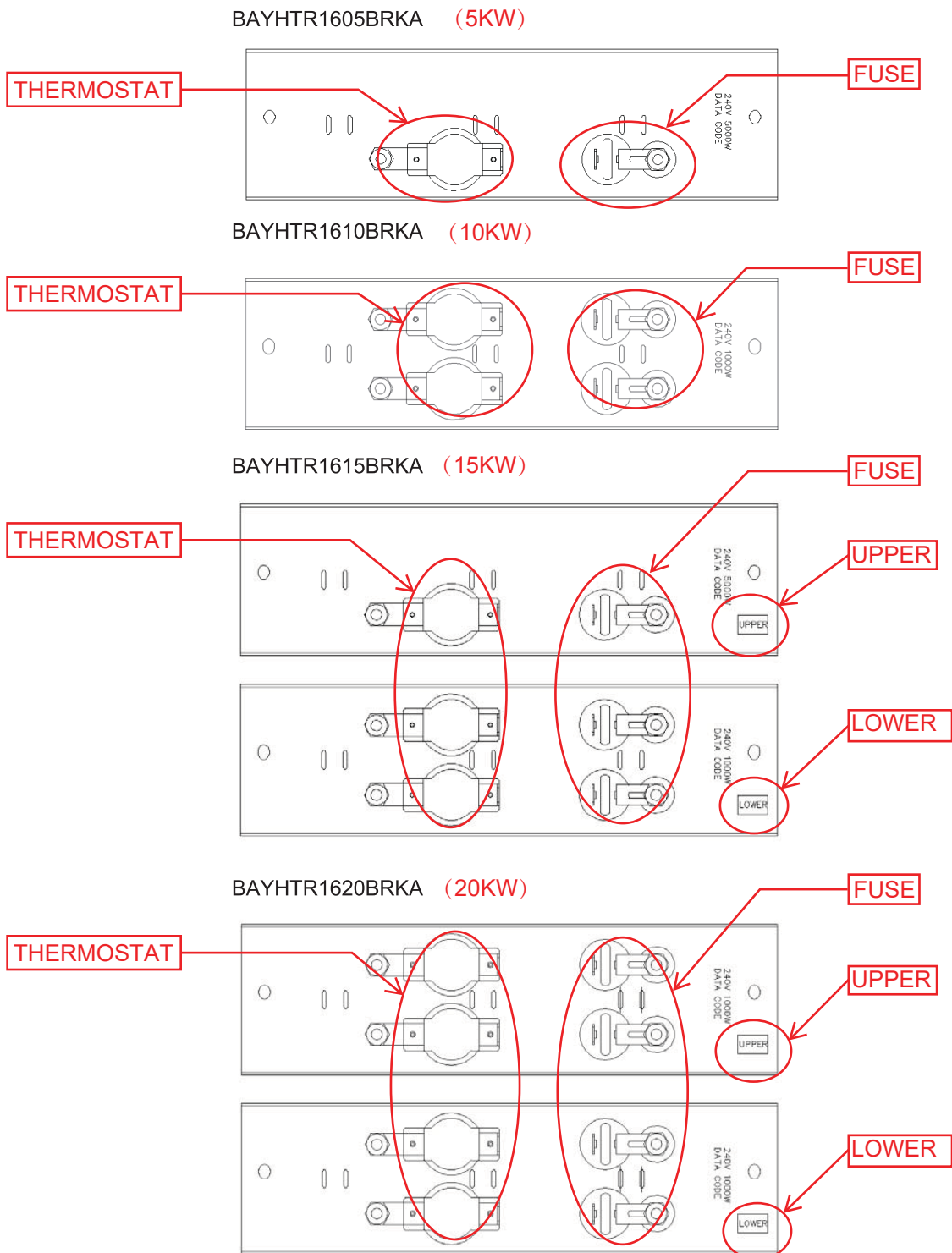


STEP 3.Slide the heater kit into the slot and secure element plate with previously removed screws.

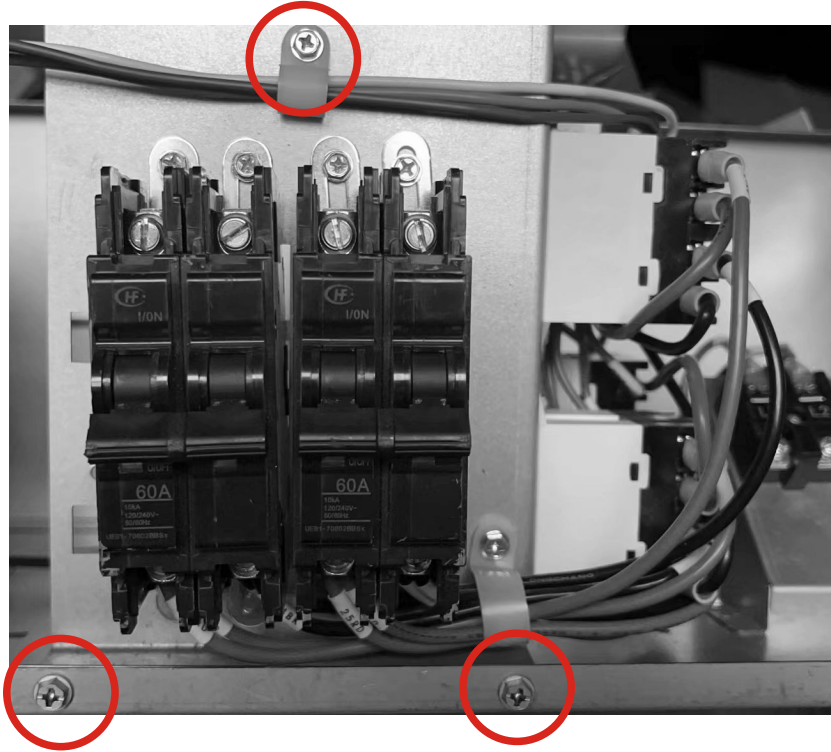


When sliding the heater kit into the slot ensure that it is installed in the correct orientation described below. Thermostat will be on the left hand side and the fuse will be on the right hand side.

When two elements are being used ensure that "UPPER" and "LOWER" elements are installed in the correct slots and orientations.

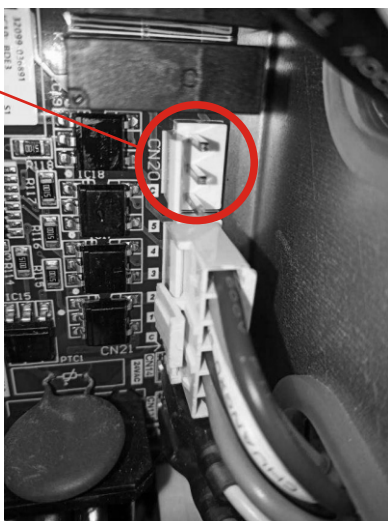


STEP 4. Align the attachment clip and the hole and fasten the loose wires by using wire tie.

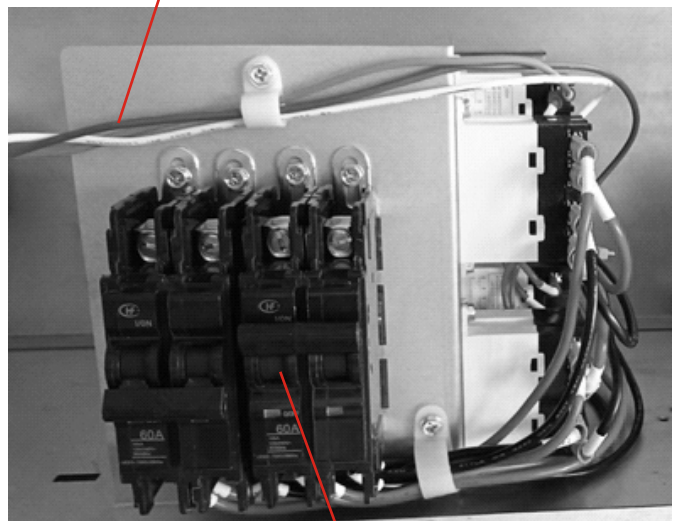


STEP 5. Install the circuit breaker into the mounting rail, break out appropriate area of the plastic circuit breaker cover on the access panel of the air handler.

CONNECT TO 3PINS



CHECK SCREWS



WARNING

FIRE, ELECTRICAL SHOCK, HAZARD

After connecting all wires, check all screws of breaker and make sure all screws are properly tight.

Failure to do so will result in breaker malfunction, fire, death, personal injury and property damage.

NOTE:

- When indoor control board receives W1/W2 signal, electric heater will be energized and indoor blower will be turned on.
- When W1/W2 signal is off, indoor blower will be turned off.
- Blower motor runs when “G” is energized, and off when “G” is de-energized.

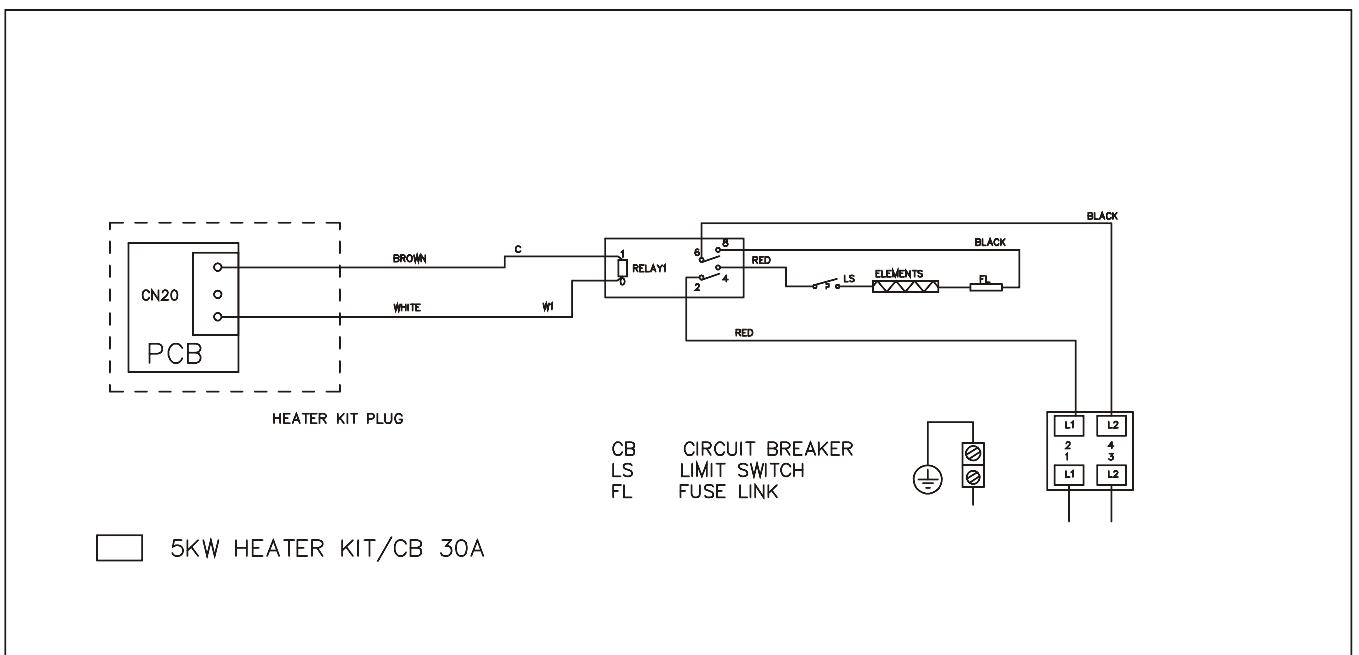


Figure 4-3 Wiring diagram for 5KW electric heat

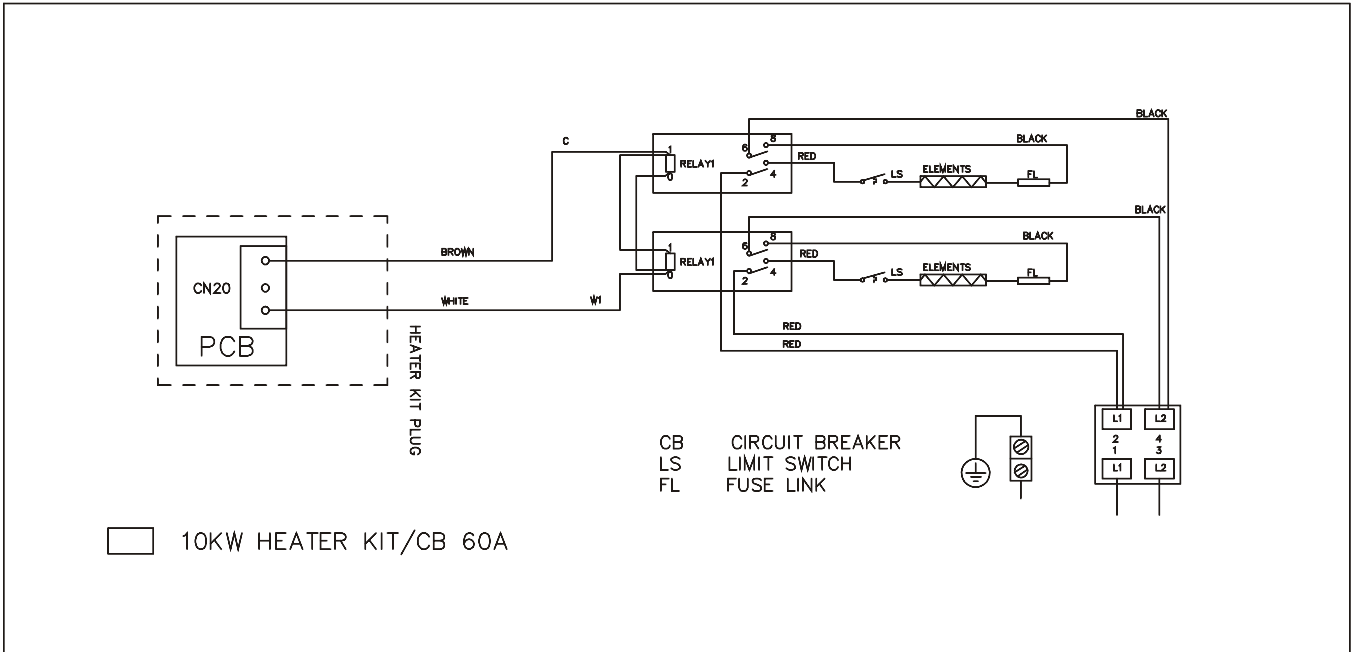


Figure 4-4 Wiring diagram for 10KW electric heat

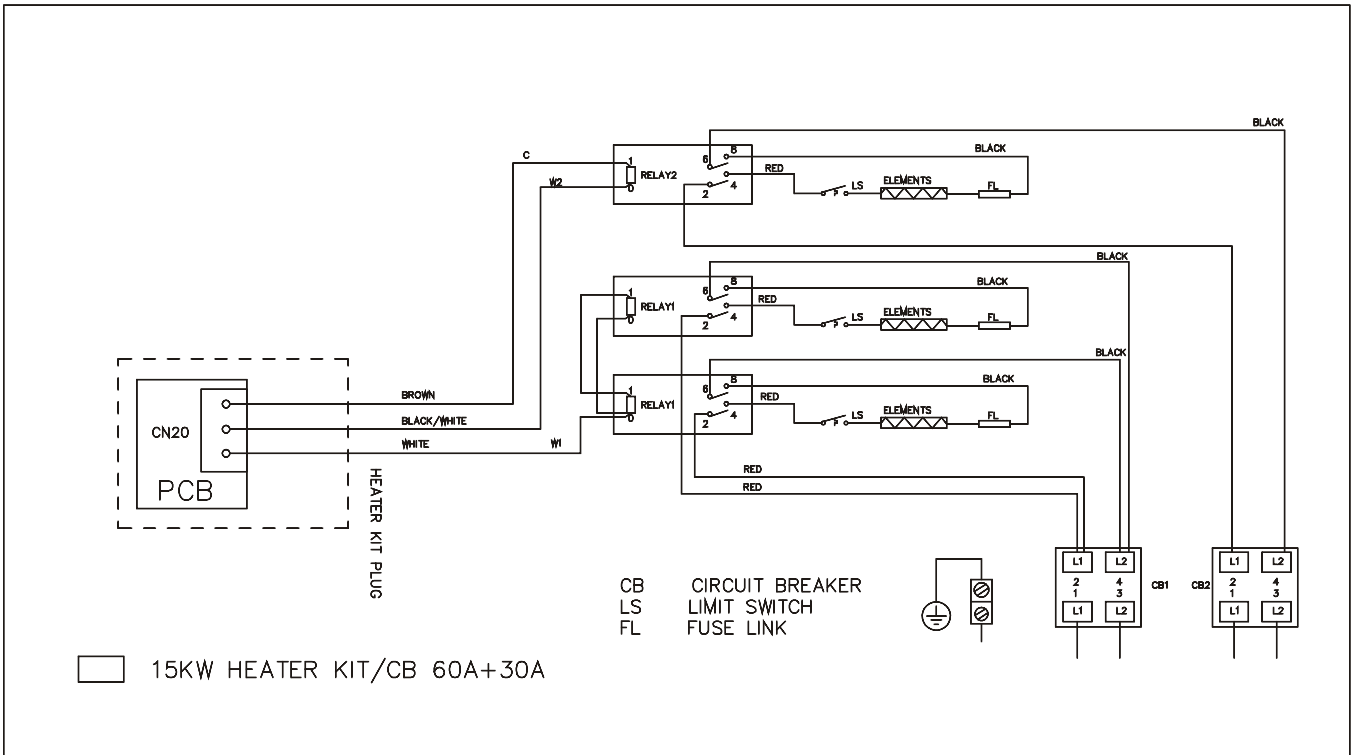


Figure 4-5 Wiring diagram for 15KW electric heat

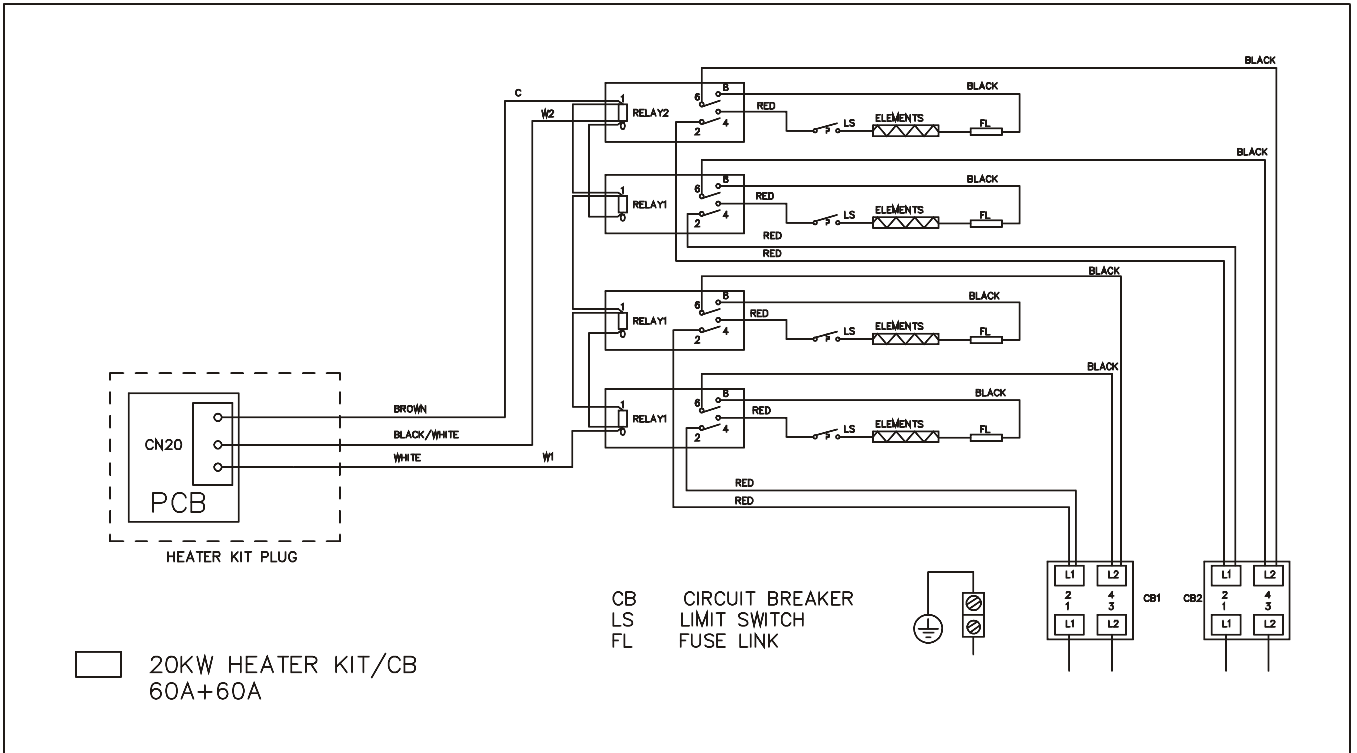


Figure 4-6 Wiring diagram for 20KW electric heat

About Trane and American Standard Heating and Air Conditioning

Trane and American Standard create comfortable, energy efficient indoor environments for residential applications. For more information, please visit www.trane.com or www.americanstandardair.com.



The manufacturer has a policy of continuous data improvement and it reserves the right to change design and specifications without notice. We are committed to using environmentally conscious print practices.