

Installer's Guide

25% Manual Fresh Air Kit

MAYOSAH002A

Used with 2 – 3.5 Ton Double Deck Gas Units Only

ALL phases of this installation must comply with NATIONAL, STATE AND LOCAL CODES

IMPORTANT — This Document is customer property and is to remain with this unit. Please return to service information pack upon completion of work.

Safety Section

⚠ WARNING

Only qualified personnel should install and service the equipment. The installation, starting up, and servicing of heating, ventilating, and air-conditioning equipment can be hazardous and requires specific knowledge and training. Improperly installed, adjusted or altered equipment by an unqualified person could result in death or serious injury. When working on the equipment, observe all precautions in the literature and on the tags, stickers, and labels that are attached to the equipment.

⚠ WARNING

HAZARDOUS VOLTAGE!

Failure to follow this Warning could result in property damage, severe personal injury, or death.

Disconnect all electric power, including remote disconnects before servicing. Follow proper lockout/tagout procedures to ensure the power cannot be inadvertently energized.

⚠ CAUTION

SHARP EDGE HAZARD!

Failure to follow this Caution could result in personal injury.

Be careful of sharp edges on equipment or any cuts made on sheet metal while installing or servicing. Personal injury may result.

General Data

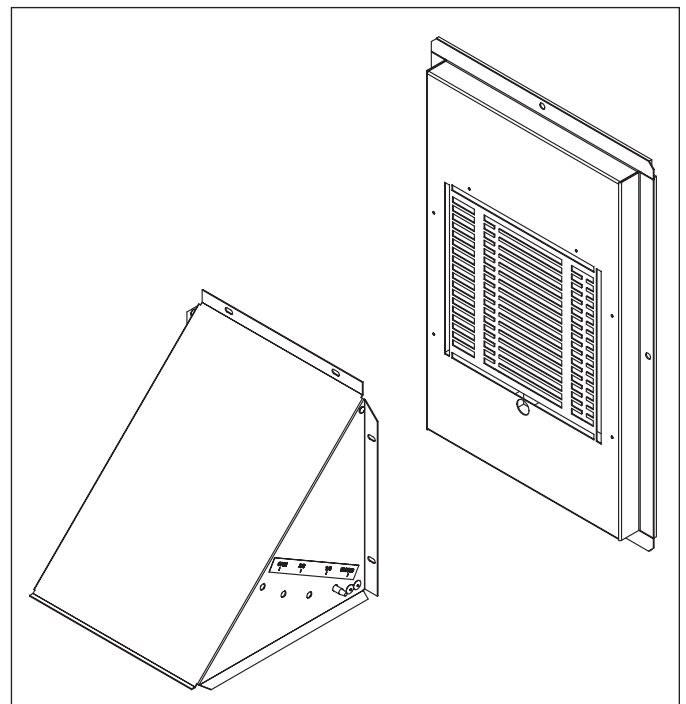
The MANUAL OUTSIDE AIR INTAKE PACKAGE can be used on applications with vertical or horizontal return duct.

When selecting damper position, follow all applicable codes for outside air / fresh air intake requirements.

The amount of outside air introduced to the space will be dependent on the damper position and the system's return duct static pressure.

Inspection

Check carefully for any shipping damage. This must be reported to and claims made against the transportation company immediately. Any missing parts should be reported to your supplier at once and replaced with authorized parts only.



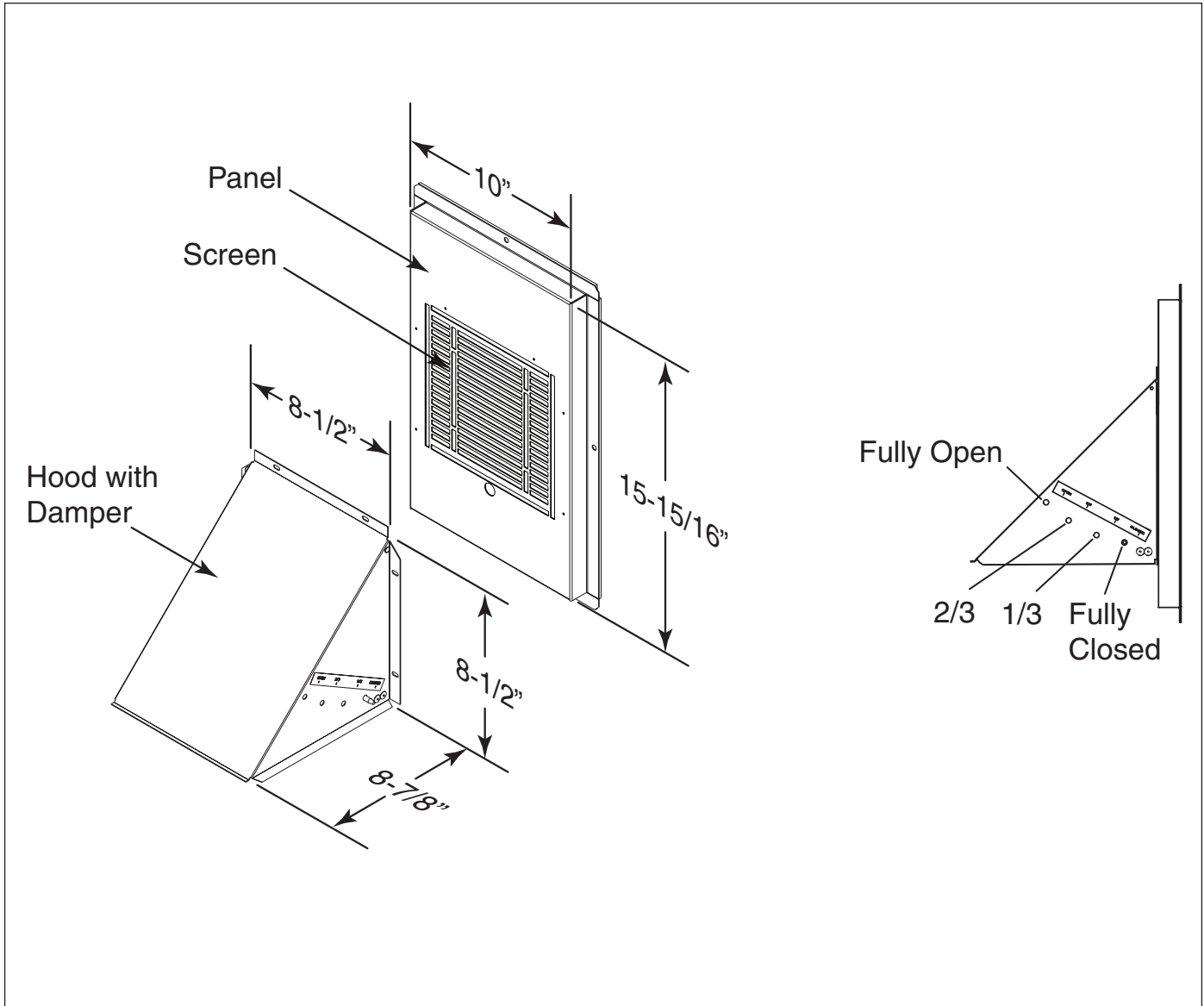
Installation Instructions

These instructions are organized for an easy step-by-step procedure.

NOTE: These instructions do not purport to cover all variations in system nor to provide for every possible contingency to be met in connection with the installation.

Should further information be desired or should particular problems arise which are not covered sufficiently for the purchaser's purposes, the matter should be referred to the manufacturer.

Figure 1. MAYOSAH002A Dimensions, Damper Settings

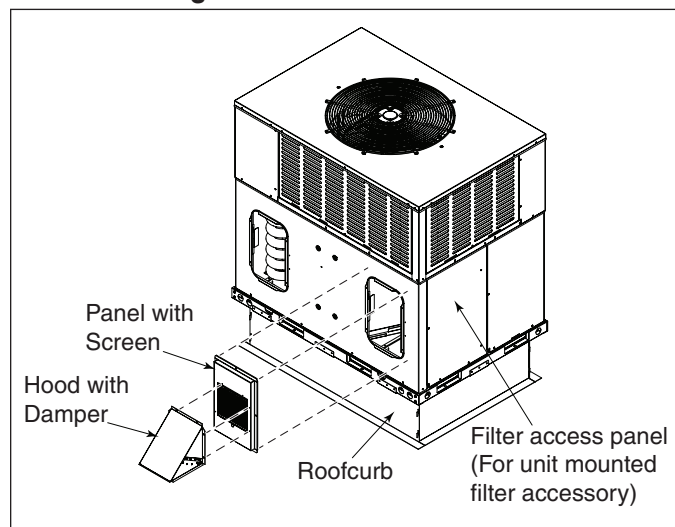


Vertical Return Duct Application

In this application the return duct cover supplied with the unit should be discarded. The vertical return air opening in the unit should be uncovered.

1. Set the unit in place on optional roofcurb or other support. Install duct per instruction provided with unit.
2. Install provided 1/8" gasket on mating flanges of manual outside air panel.
3. Install the manual outside air panel over the horizontal return opening in the unit. See Figure 2.
4. Screw panel to unit through pre-punched holes in panel and unit using (4) #10 self-drilling screws provided.
5. Install provided 1/8" thick gasket on 3 perimeter mating flanges on hood.
6. Set hood over screen in panel, align holes and screws hood to panel using provided #10 self-drilling screws. See Figure 2.
7. Set damper position in hood using spring latch to meet outside air requirements. See Figure 1.

Figure 2. Vertical Installation



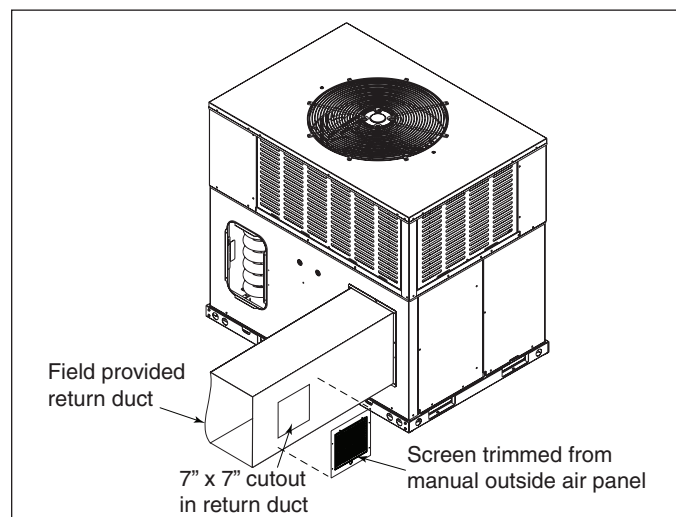
Horizontal Return Duct Application

In this application the return duct cover supplied with the unit should be installed on the base of the unit covering the bottom return opening. The horizontal return air duct opening should be uncovered.

1. Install field provided horizontal return air duct onto the unit. See Figure 3. Follow unit instructions for duct sizing.

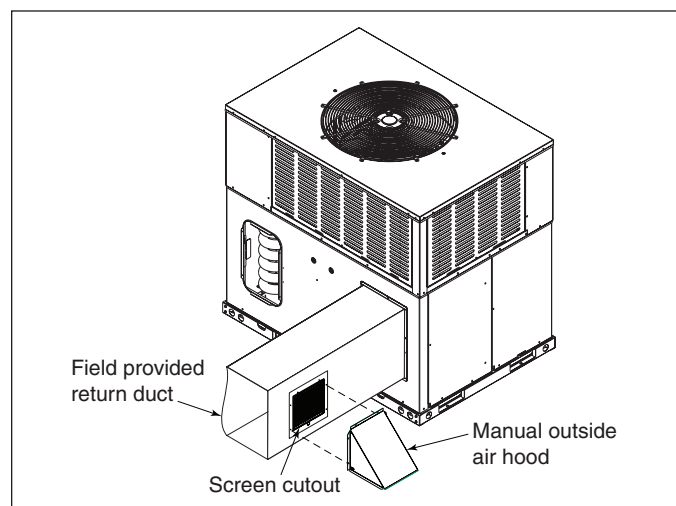
2. Snip out the screen from the manual outside air panel.
3. Cut a 7" x 7" opening in the side of the field provided duct. See Figure 3.

Figure 3. Horizontal Installation – Cutout



4. Screw the screen from step 2 over the 7" x 7" cutout in return duct with provided #10 self-drilling screws.
5. Install provided 1/8" thick gasket on 3 perimeter mating flanges on hood.
6. Set hood over screen in panel, align holes and screws hood to panel using provided #10 self-drilling screws. See Figure 4.

Figure 4. Horizontal Installation – Hood



7. Set damper position in hood using spring latch to meet outside air requirements. See Figure 1.

About Trane and American Standard Heating and Air Conditioning

Trane and American Standard create comfortable, energy efficient indoor environments for residential applications.

For more information, please visit www.trane.com or www.americanstandardair.com



Intertek

The manufacturer has a policy of continuous data improvement and it reserves the right to change design and specifications without notice. We are committed to using environmentally conscious print practices.

Representative-only illustrations included in this document.

88-MACC023-1A-EN 02 Feb 2022

Supersedes (New)

© 2022