

Installer's Guide

1"-2" Filter Rack Kit

MAYFLTR102A

Used with 2 – 3.5 Ton Double Deck Gas Units Only

ALL phases of this installation must comply with NATIONAL, STATE AND LOCAL CODES

IMPORTANT — This Document is customer property and is to remain with this unit. Please return to service information pack upon completion of work.

Safety Section

⚠ WARNING

Only qualified personnel should install and service the equipment. The installation, starting up, and servicing of heating, ventilating, and air-conditioning equipment can be hazardous and requires specific knowledge and training. Improperly installed, adjusted or altered equipment by an unqualified person could result in death or serious injury. When working on the equipment, observe all precautions in the literature and on the tags, stickers, and labels that are attached to the equipment.

⚠ WARNING

HAZARDOUS VOLTAGE!

Failure to follow this Warning could result in property damage, severe personal injury, or death. Disconnect all electric power, including remote disconnects before servicing. Follow proper lockout/tagout procedures to ensure the power cannot be inadvertently energized.

⚠ CAUTION

SHARP EDGE HAZARD!

Failure to follow this Caution could result in personal injury. Be careful of sharp edges on equipment or any cuts made on sheet metal while installing or servicing. Personal injury may result.

General Data

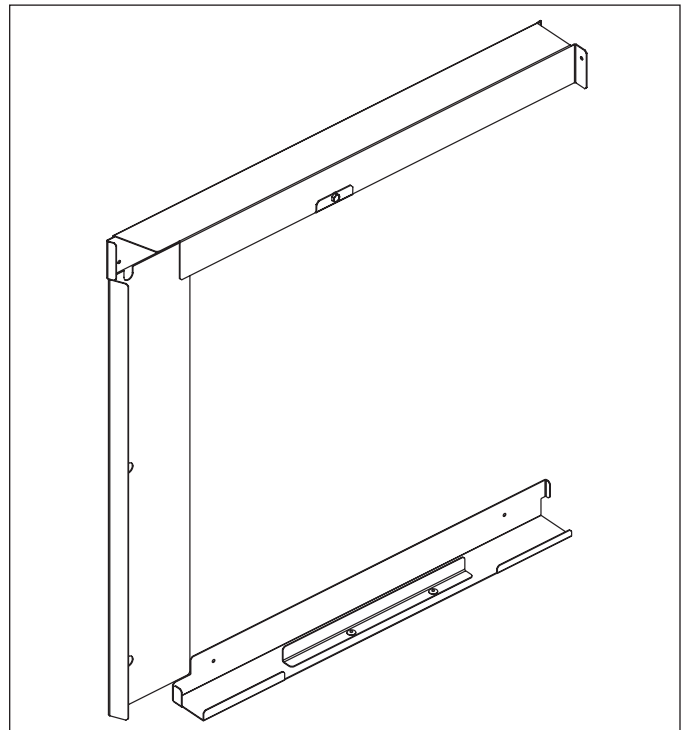
The filter kit is to be field installed inside the packaged unit, and is designed to work with either vertical or horizontal duct applications. Filters are field provided and installed. The kit works with either 1" or 2" throw away filters.

Filter required (not supplied):

- (1) 20" x 24" Filter

Inspection

Check carefully for any shipping damage. This must be reported to and claims made against the transportation company immediately. Any missing parts should be reported to your supplier at once and replaced with authorized parts only.

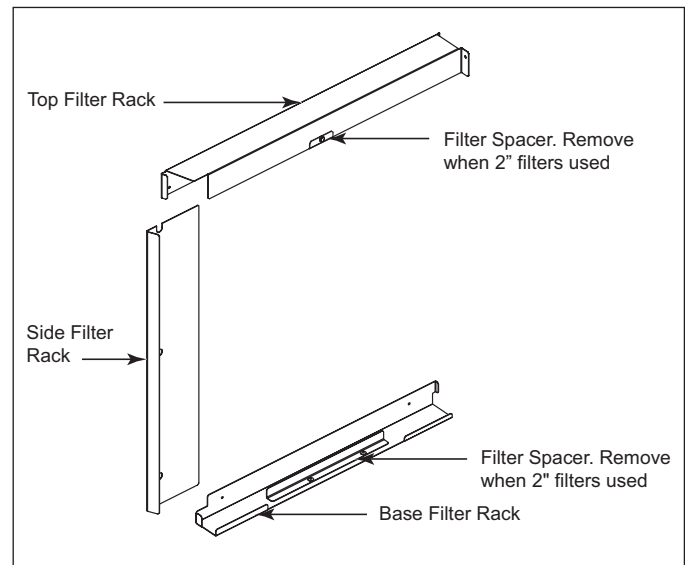


General Data (continue)

Kit Contents

Items	Quantity
Bottom filter rack	1
Side filter rack	1
Top filter rack	1

Figure 1. Filter Kit Components



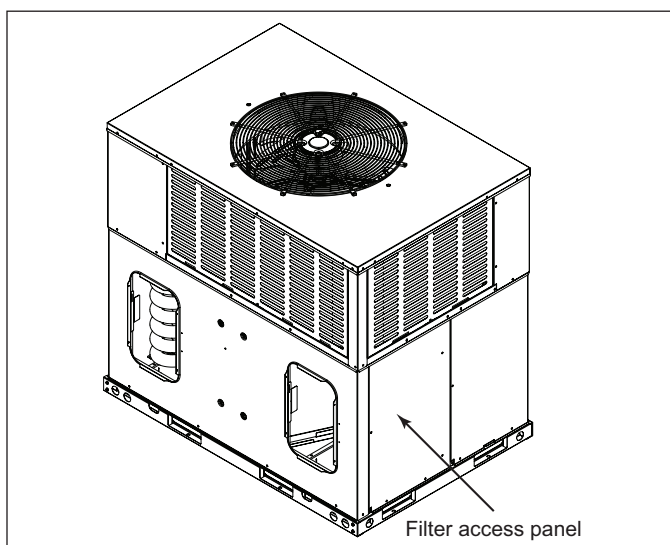
Installation Instructions

These instructions are organized for an easy step-by-step procedure.

NOTE: These instructions do not purport to cover all variations in system nor to provide for every possible contingency to be met in connection with the installation. Should further information be desired or should particular problems arise which are not covered sufficiently for the purchaser's purposes, the matter should be referred to the manufacturer.

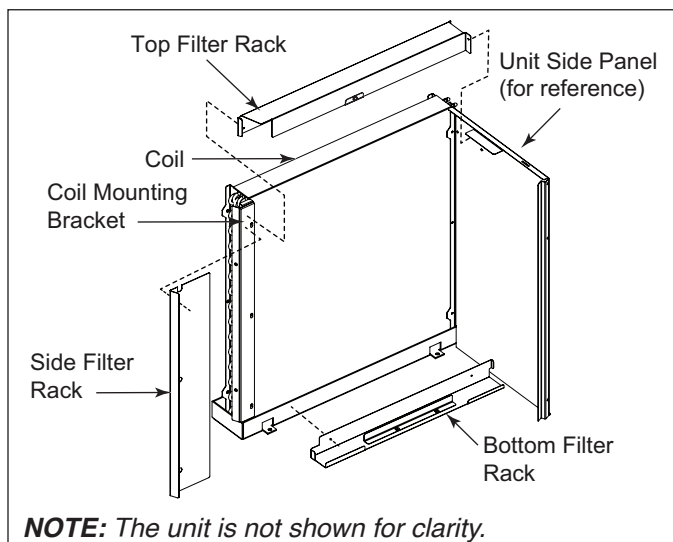
1. Disconnect all power sources to the unit.
2. Remove the filter access panel. Set panel aside for later re-installation. See Figure 2.

Figure 2. Panel Removal



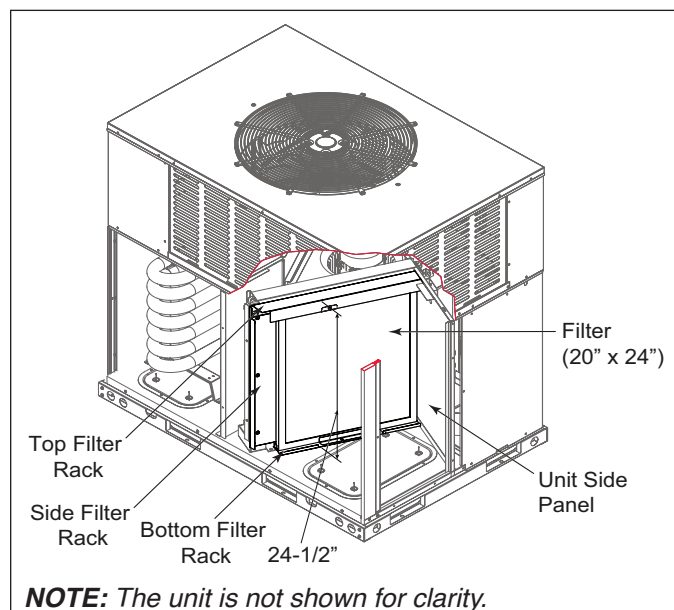
3. The filter racks fit tightly inside the cabinet. Do NOT damage unit insulation when installing filter racks.
4. Place the bottom filter rack into the cabinet. The bottom filter rack will rest directly onto the base and the back flange will rest on the bottom mounting bracket of the coil. Move the bottom filter rack towards right until it touches the sheet metal part at the bottom of the unit side panel. Using screws provided, screw through the pre-punched holes in the back flange of the bottom filter rack and into the bottom mounting bracket of the coil. See Figures 3 and 4.
5. Place the side filter rack onto the coil mounting bracket. Make sure that the bottom of the side filter rack fits on the flange cutout on the bottom filter rack. Using the screws provided, screw through the pre-punched holes in the side filter rack and into the coil mounting bracket. See Figures 3 and 4.
6. Install the top filter rack into the cabinet above the side filter rack in-line with the bottom filter rack. The approximate position of the top filter rack is 24-1/2" vertically up from the bottom filter rack. The back flange of the top filter rack will rest on the coil mounting bracket on the left. Move the top filter rack towards right until the left flange of the top filter rack is flush against the flange of the side filter rack. Make sure that the right flange of the top filter rack touches the insulation on the unit side panel. Using screws provided, screw through the pre-punched holes in the top filter rack into the unit side panel and into the coil mounting bracket. See figures 3 and 4.

Figure 3. Filter Rack Installation



7. Carefully install the field supplied (1) 20" x 24" filter in between top and bottom filter racks. See Figure 4.
NOTE: If using 2" filters, remove the filter spacers shown in Figure 1.
NOTE: It is normal for the filter to fit very tightly against the insulation inside the cabinet.

Figure 4. Filter Rack Locations



8. Reinstall the filter access panel that was removed in step 2.
9. Connect all power sources to the unit.

About Trane and American Standard Heating and Air Conditioning

Trane and American Standard create comfortable, energy efficient indoor environments for residential applications. For more information, please visit www.trane.com or www.americanstandardair.com



Intertek

The manufacturer has a policy of continuous data improvement and it reserves the right to change design and specifications without notice. We are committed to using environmentally conscious print practices.

Representative-only illustrations included in this document.

88-MACC021-1A-EN 02 Feb 2022

Supersedes (New)

© 2022