

# Installer's Guide

## Extreme Condition Curb Mounting Kit MAYEXMK002A/003A

Used with 2 – 5 Ton Double Deck Gas Units Only

ALL phases of this installation must comply with NATIONAL, STATE AND LOCAL CODES

IMPORTANT — This Document is customer property and is to remain with this unit. Please return to service information pack upon completion of work.

### Safety Section

#### **⚠ WARNING**

Only qualified personnel should install and service the equipment. The installation, starting up, and servicing of heating, ventilating, and air-conditioning equipment can be hazardous and requires specific knowledge and training. Improperly installed, adjusted or altered equipment by an unqualified person could result in death or serious injury. When working on the equipment, observe all precautions in the literature and on the tags, stickers, and labels that are attached to the equipment.

#### **⚠ WARNING**

##### **HAZARDOUS VOLTAGE!**

Failure to follow this Warning could result in property damage, severe personal injury, or death. Disconnect all electric power, including remote disconnects before servicing. Follow proper lockout/tagout procedures to ensure the power cannot be inadvertently energized.

#### **⚠ CAUTION**

##### **SHARP EDGE HAZARD!**

Failure to follow this Caution could result in personal injury. Be careful of sharp edges on equipment or any cuts made on sheet metal while installing or servicing. Personal injury may result.

### General Data

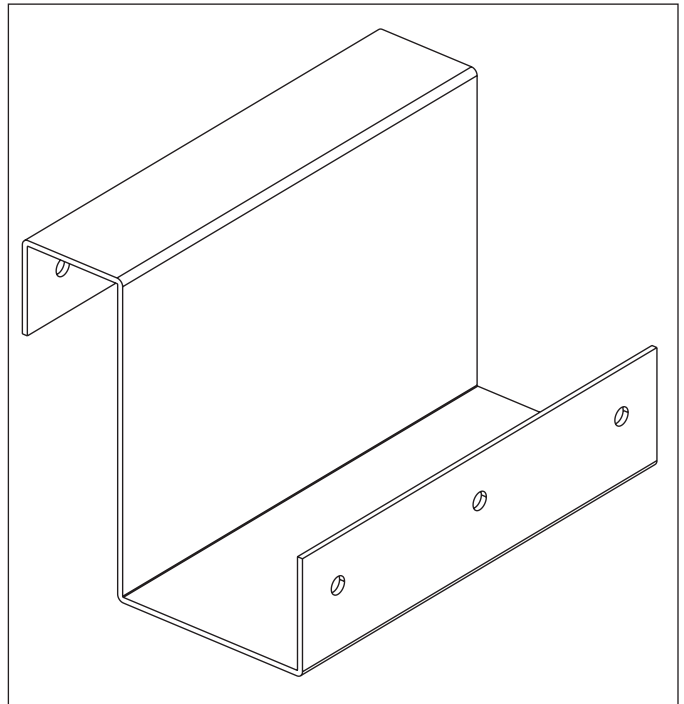
#### Kit Contents

Open and inspect kit contents for damage or missing items. Each kit contains:

Items	Quantity
Hold-Down Bracket	8
Self-drilling #12-3/4 Screws	48

#### Inspection

Check carefully for any shipping damage. This must be reported to and claims made against the transportation company immediately. Any missing parts should be reported to your supplier at once and replaced with authorized parts only.

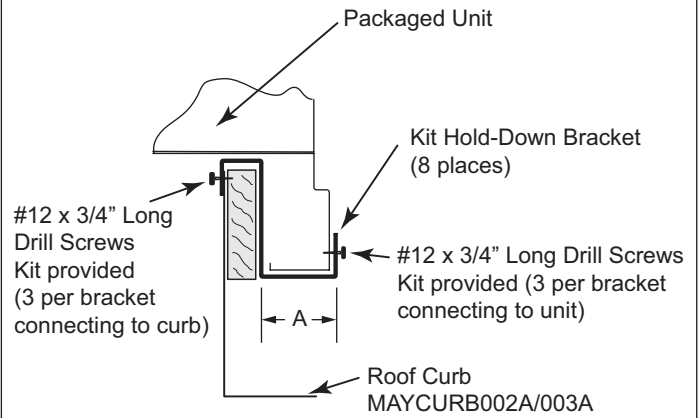


Installation Instructions

These instructions are organized for an easy step-by step procedure.

1. Prior to setting the packaged unit onto the curb, attach the eight (8) brackets to the curb flange. There will be three (3) brackets on each of the long sides of the unit and one (1) bracket on each of the short sides of the unit. Each bracket will require three (3) of the #12 x 3/4" self-drilling screws supplied in the kit and attach to the curb flange as shown in Figure 1.

**Figure 1. MAYEXMK002A/003A Installation**  
Unit Mounted To Full Perimeter Curb



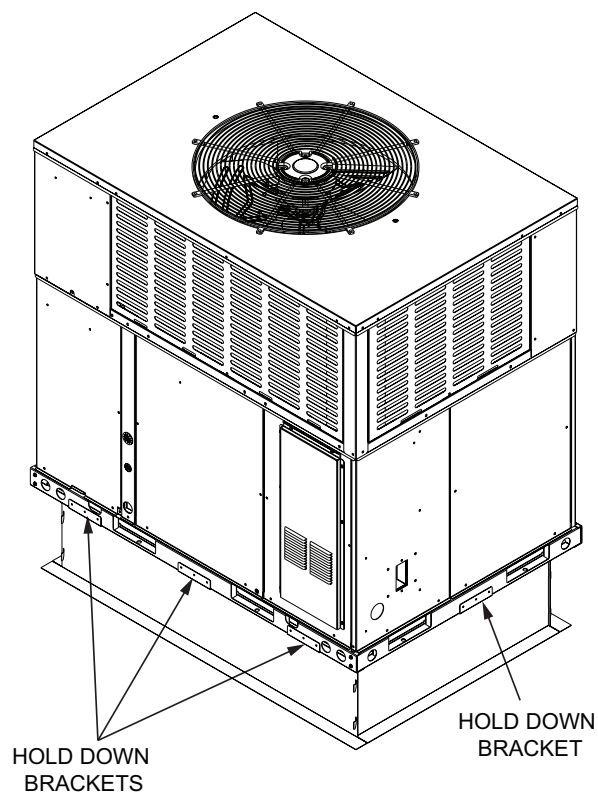
Models	A (in.)
*****24 - 42	1.65
*****48 - 60	1.49

- Place the packaged unit on top of the curb. Using three (3) additional #12x3/4" self-drilling screws per bracket, attach the brackets to the unit base rail.

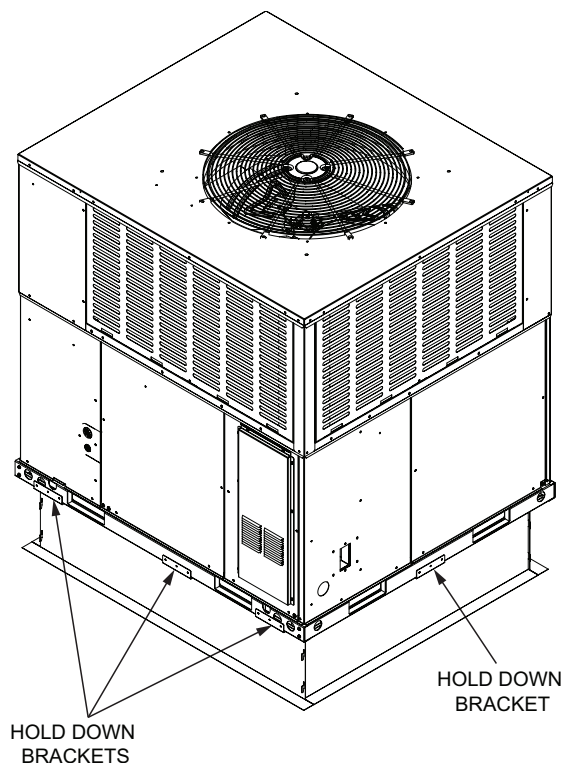
**NOTE:** See Figure 2 for the location of brackets on \*\*\*\*\*24 - 42 models. Three (3) brackets on each of the long sides and one (1) bracket on each of the short sides.

**NOTE:** See Figure 3 for the location of brackets on \*\*\*\*\*48 - 60 models. Three (3) brackets on each of the long sides and one (1) bracket on each of the short sides.

**Figure 2. MAYEXMK002A Bracket Locations on \*\*\*\*\*24 – 42 Models**



**Figure 3. MAYEXMK003A Bracket Locations on \*\*\*\*\*48 – 60 Models**



## About Trane and American Standard Heating and Air Conditioning

Trane and American Standard create comfortable, energy efficient indoor environments for residential applications. For more information, please visit [www.trane.com](http://www.trane.com) or [www.americanstandardair.com](http://www.americanstandardair.com)

---



The manufacturer has a policy of continuous data improvement and it reserves the right to change design and specifications without notice. We are committed to using environmentally conscious print practices.

*Representative-only illustrations included in this document.*

88-MACC020-1A-EN 02 Feb 2022

Supersedes (New)

© 2022