

# Installer's Guide

## Outdoor Thermostat Kit

### TAYSTAT250

ALL phases of this installation must comply with NATIONAL, STATE AND LOCAL CODES

**IMPORTANT**—This Document is customer property and is to remain with the outdoor unit. Please return to service information pack upon completion of work.

#### GENERAL - SUPPLEMENTARY HEATER STAGING

The outdoor thermostat (ODT) is designed to turn “ON” the supplementary heater at a pre-selected outdoor temperature. The number and setting of the ODT is dependent on the heat loss of the structure and capacity of the heating system installed.

This model ODT gives a temperature range from 44°F to -10°F. The switching action is single pole/double throw, opening on temperature rise and closing on temperature fall, completing the circuit through the thermostat.

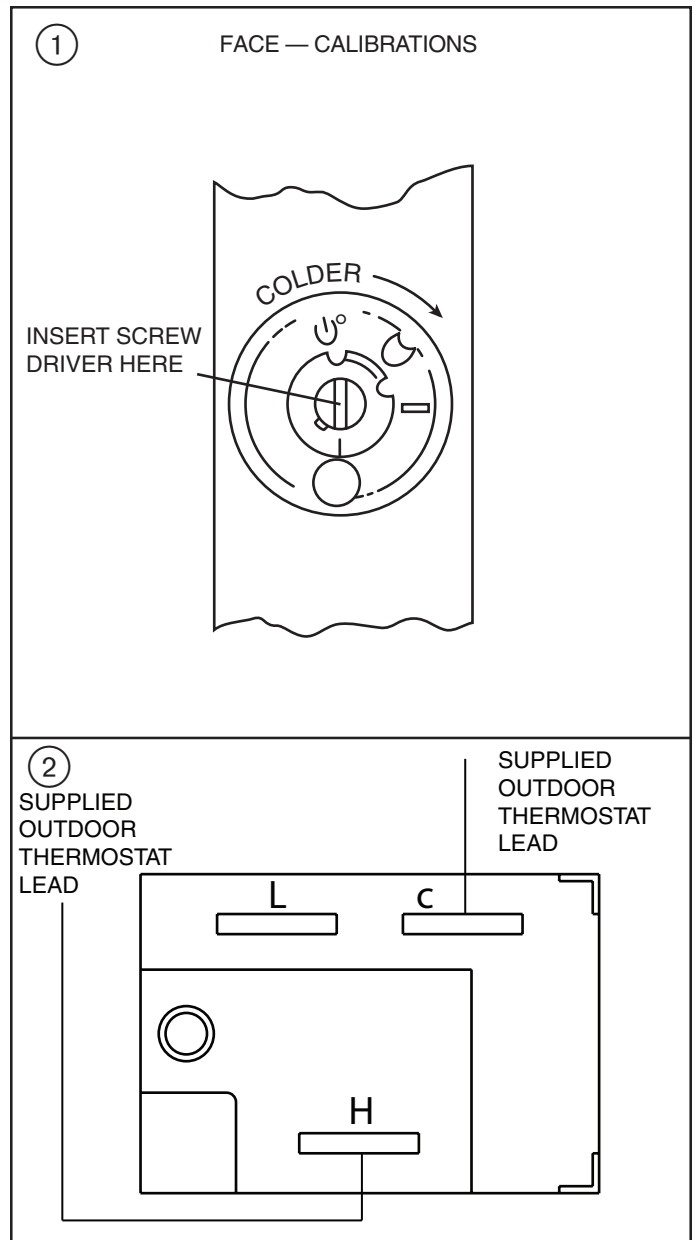
#### ODT KIT INSTALLED IN CONTROL COMPARTMENT OF UNIT

1. Be certain power to unit is disconnected.
2. Remove cover plate on control compartment.
3. Open kit and remove ODT kit assembly plus (2) wires, (2) screws, and (1) cable tie.
4. Assure that lead wires are attached to terminals C and H and that dummy terminal is attached to terminal L (See Figure 2).
5. Feed ODT capillary through the wire hole (See Figure 3). Ensure tube is in air and not in contact with any unit tubing.
6. With the (2) screws provided, secure ODT assembly in control compartment as illustrated (see Figure 3).
7. Route ODT lead wires across Control Box, through low voltage wire hole and into low voltage junction box.
8. Using wire nuts, wire the ODT into heater circuit, connecting one lead with white wire 41A and one lead with white wire 41C

### **CAUTION**

**BE SURE CAPILLARY TUBE IS IN CONTACT WITH AIR ONLY AND NOT ANY OTHER SURFACES SUCH AS COILS, METAL PANELS, REFRIGERANT LINES, ETC.**

9. Replace control compartment panel.
10. Reconnect power that was disconnected in step one (1).

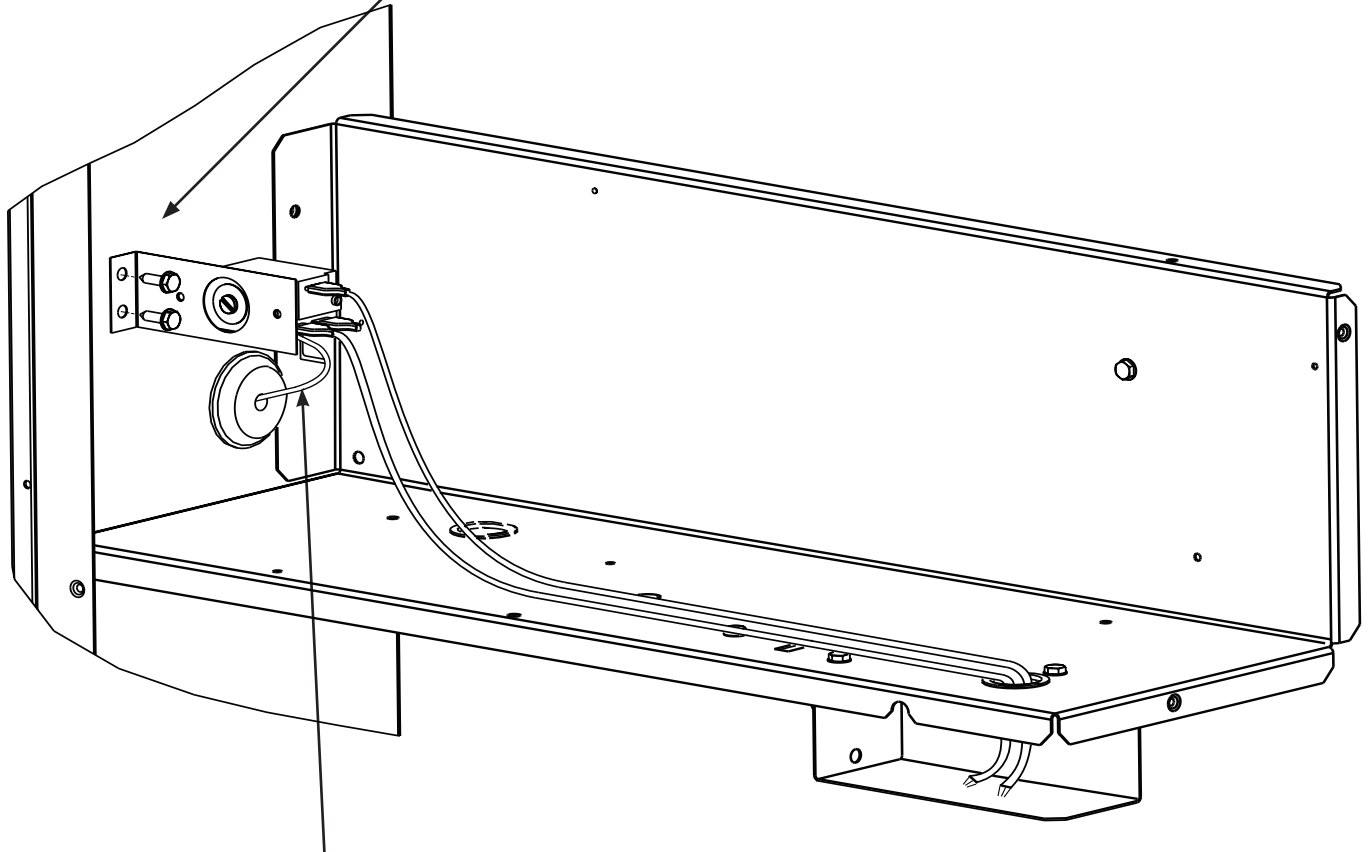


# Installer's Guide

## OUTDOOR THERMOSTAT INSTALLATION IN CONTROL BOX

3

MOUNT THERMOSTAT ON  
CONTROL BOX WALL  
AS ILLUSTRATED  
USING SCREWS PROVIDED.



ROUTE CAPILLARY TUBE  
AS ILLUSTRATED. (DRESS  
AWAY FROM ANY REFRIGERANT  
LINES AND METAL SURFACES.)

---

---

---

---

About Trane and American Standard Heating and Air Conditioning  
Trane and American Standard create comfortable, energy efficient indoor environments for residential applications.  
For more information, please visit [www.trane.com](http://www.trane.com) or [www.americanstandardair.com](http://www.americanstandardair.com)

The manufacturer has a policy of continuous data improvement and it reserves the right to change design and specifications without notice. We are committed to using environmentally conscious print practices.