

Installer's Guide

Outdoor Thermostat Kit

TAYSTAT250C

ALL phases of this installation must comply with NATIONAL, STATE AND LOCAL CODES

IMPORTANT—This Document is customer property and is to remain with the outdoor unit. Please return to service information pack upon completion of work.

GENERAL - SUPPLEMENTARY HEATER STAGING

The outdoor thermostat (ODT) is designed to turn "ON" the supplementary heater at a pre-selected outdoor temperature. The number and setting of the ODT is dependent on the heat loss of the structure and capacity of the heating system installed.

This model ODT gives a temperature range from 44°F to -10°F. The switching action is single pole/double throw, opening on temperature rise and closing on temperature fall, completing the circuit through the thermostat.

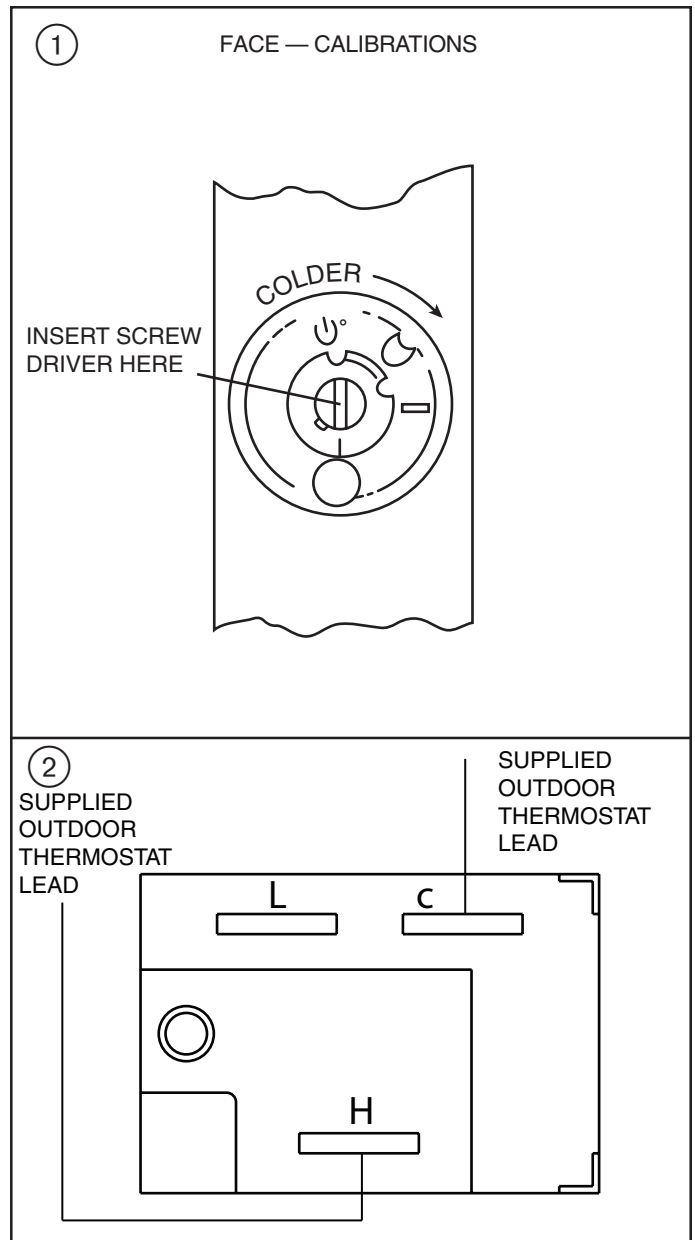
ODT KIT INSTALLED IN CONTROL COMPARTMENT OF UNIT

1. Be certain power to unit is disconnected.
2. Remove cover plate on control compartment.
3. Open kit and remove ODT kit assembly plus (2) wires, (2) screws, and (1) cable tie.
4. Assure that lead wires are attached to terminals C and H and that dummy terminal is attached to terminal L (See Figure 2).
5. Feed ODT capillary through the wire hole (See Figure 3). Ensure tube is in air and not in contact with any unit tubing.
6. With the (2) screws provided, secure ODT assembly in control compartment as illustrated (see Figure 3).
7. Route ODT lead wires across Control Box, through low voltage wire hole and into low voltage junction box.
8. Using wire nuts, wire the ODT into heater circuit, connecting one lead with white wire 41A and one lead with white wire 41C

CAUTION

BE SURE CAPILLARY TUBE IS IN CONTACT WITH AIR ONLY AND NOT ANY OTHER SURFACES SUCH AS COILS, METAL PANELS, REFRIGERANT LINES, ETC.

9. Replace control compartment panel.
10. Reconnect power that was disconnected in step one (1).

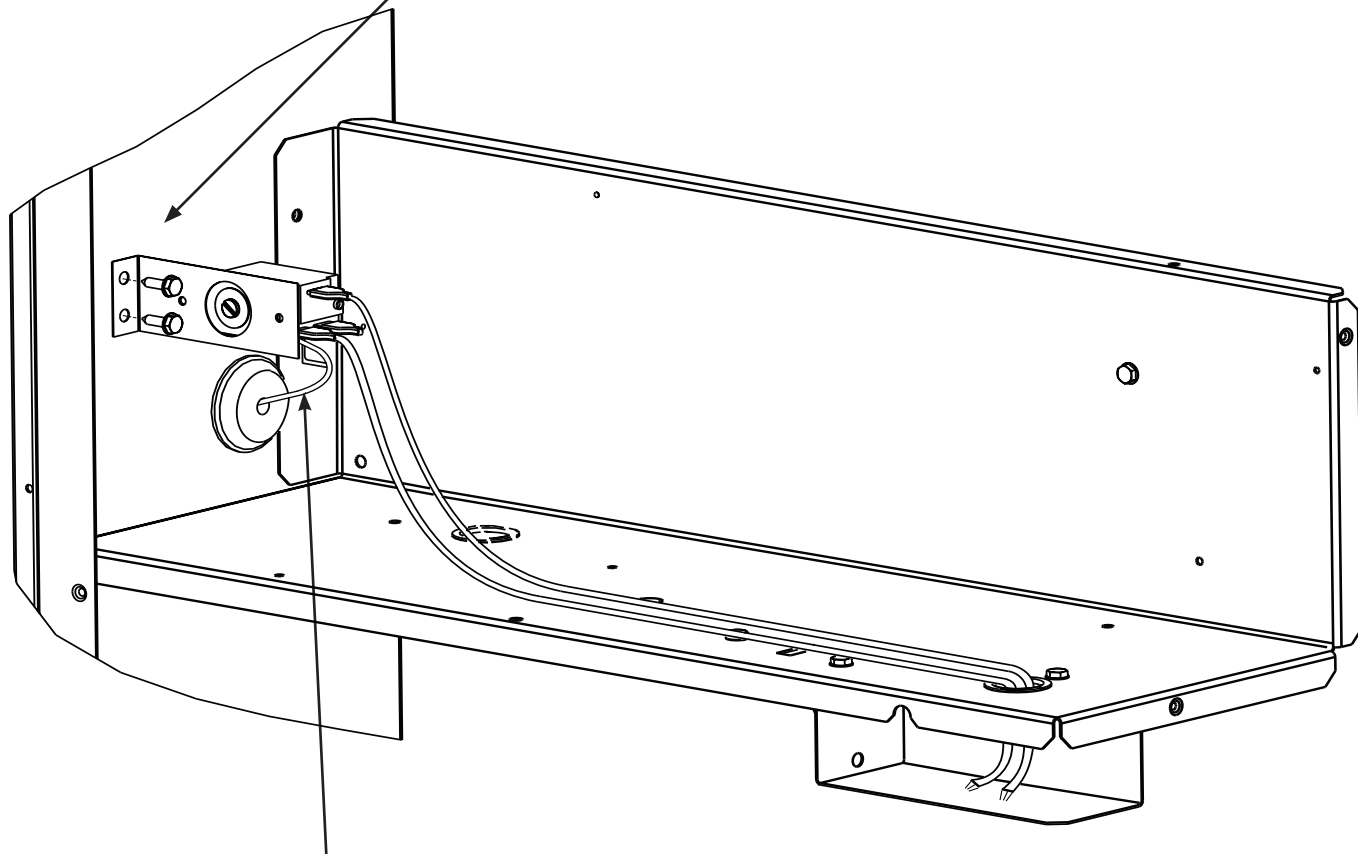


Installer's Guide

OUTDOOR THERMOSTAT INSTALLATION IN CONTROL BOX

3

MOUNT THERMOSTAT ON
CONTROL BOX WALL
AS ILLUSTRATED
USING SCREWS PROVIDED.



ROUTE CAPILLARY TUBE
AS ILLUSTRATED. (DRESS
AWAY FROM ANY REFRIGERANT
LINES AND METAL SURFACES.)

Trane
6200 Troup Highway
Tyler, TX 75707

For more information contact
your local dealer (distributor)

Since the manufacturer has a policy of continuous product and product data improvement, it reserves the right to change design and specifications without notice.