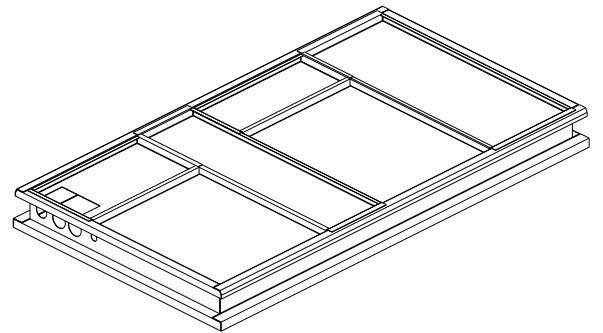


# Installer's Guide

## Through the Base Utilities Curb Extension

BAYUTIL103



**Important:** ALL phases of this installation must comply with NATIONAL, STATE, AND LOCAL CODES.

### **▲ SAFETY WARNING**

Only qualified personnel should install and service the equipment. The installation, starting up, and servicing of heating, ventilating, and air-conditioning equipment can be hazardous and requires specific knowledge and training. Improperly installed, adjusted or altered equipment by an unqualified person could result in death or serious injury. When working on the equipment, observe all precautions in the literature and on the tags, stickers, and labels that are attached to the equipment.

# General

## ⚠ CAUTION

### SHARP EDGE HAZARD!

Failure to follow this Caution could result in personal injury. Be careful of sharp edges on equipment or any cuts made on sheet metal while installing or servicing. Personal injury may result.

This Installer's Guide covers the through the curb utilities extensions listed for the 1-1/2 thru 5 ton only single packaged units.

The BAYUTIL103 Utilites Extension is designed to provide access within the curb for the electrical power, low voltage control, gas piping, and condensate drain connections when the single packaged unit is mounted on its matching full perimeter curb. The unit must have the appropriate full perimeter curb (BAYCURB060) selected for the matching (BAYUTIL103) extension. The Extension provides the duct supports for the supply and return duct connections.

The BAYUTIL103 through the curb utilities extension is mounted on top of its matching full perimeter curb. Remove the three (3) duct support pieces from the curb, only use the duct support provided with the BAYUTIL103. See page 4.

For instructions related to the Roof Mounting Curb, refer to the instructions provided with the curb.

For instructions related to the Single Packaged Unit, refer to the instructions provided with the unit.

**Note:** *The roof mounting curb (frame) not only provides support for the unit, but permits easy penetration of the roof for the connecting ductwork. The roof mounting curb provides for proper flashing and sealing by the roofing contractor as approved by the National Roofing Contractors Association.*

## Installation Instructions

The installation instructions are organized for an easy step-by-step procedure.

**Note:** *These instructions do not purport to cover all variations in system nor to provide for every possible contingency to be met in connection with installation. Should further information be desired or should particular problems arise which are not covered sufficiently for the purchaser's purposes, the matter should be referred to the manufacturer.*

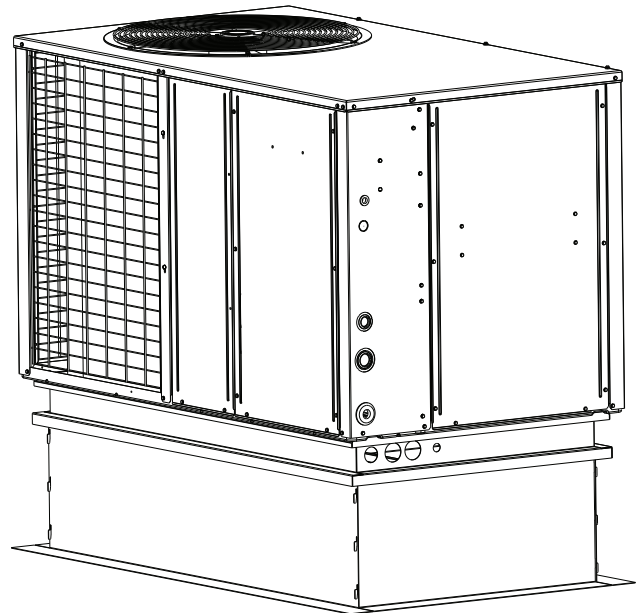
Check for transportation damage after kit is unpacked. Report promptly, to the carrier, any damage found to the kit.

1. Install and seal the BAYCURB060 Roof Mounting Curb per the instructions included with the curb, including the P.V.C. rubber gasketing materials, to provide a water tight seal to the Utility Extension.
 

**Note:** *Do not install curb's duct supports. Use the duct supports provided with the utility extension curb.*
2. Mount the Utility Extension on top of the Roof Mounting Curb.
3. Field fabricated ducts are to be installed from above Utility Extension, and should be installed at this time. See Figures 3 and 4 for illustrations.
4. P.V.C. tape is to be applied to extension as shown, prior to setting the unit. P.V.C. rubber tape (supplied with the curb and extension) must be applied in continuous strips overlapped 1" minimum for a complete watertight seal.
5. The two (2) Hold Down Brackets (packed with the extension) are used to secure the unit to the roof curb, see Figure 6. Each bracket is secured with screws, the other three (3) shipped with the extension.

**Note:** *Ensure screws are clear of coil and/or tubing.*

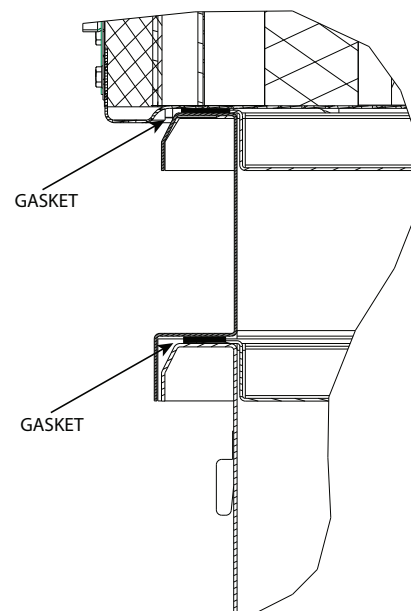
Figure 1. Typical Rooftop Installation



## Application

The low voltage electrical opening is provided with a rubber bushing installed.

Figure 2. Cross Section of Unit, Extension, Curb and Roof



## Field Fabricated (side X side) Ducts Installed From Above Utility Extension Curb

Lower Field Fabricated Ducts into position on Duct Supports. See Figures 3 and 4. Make assembly secure with sheet metal screws. See Figure 4.

Figure 3. Field Fabricated Ducts

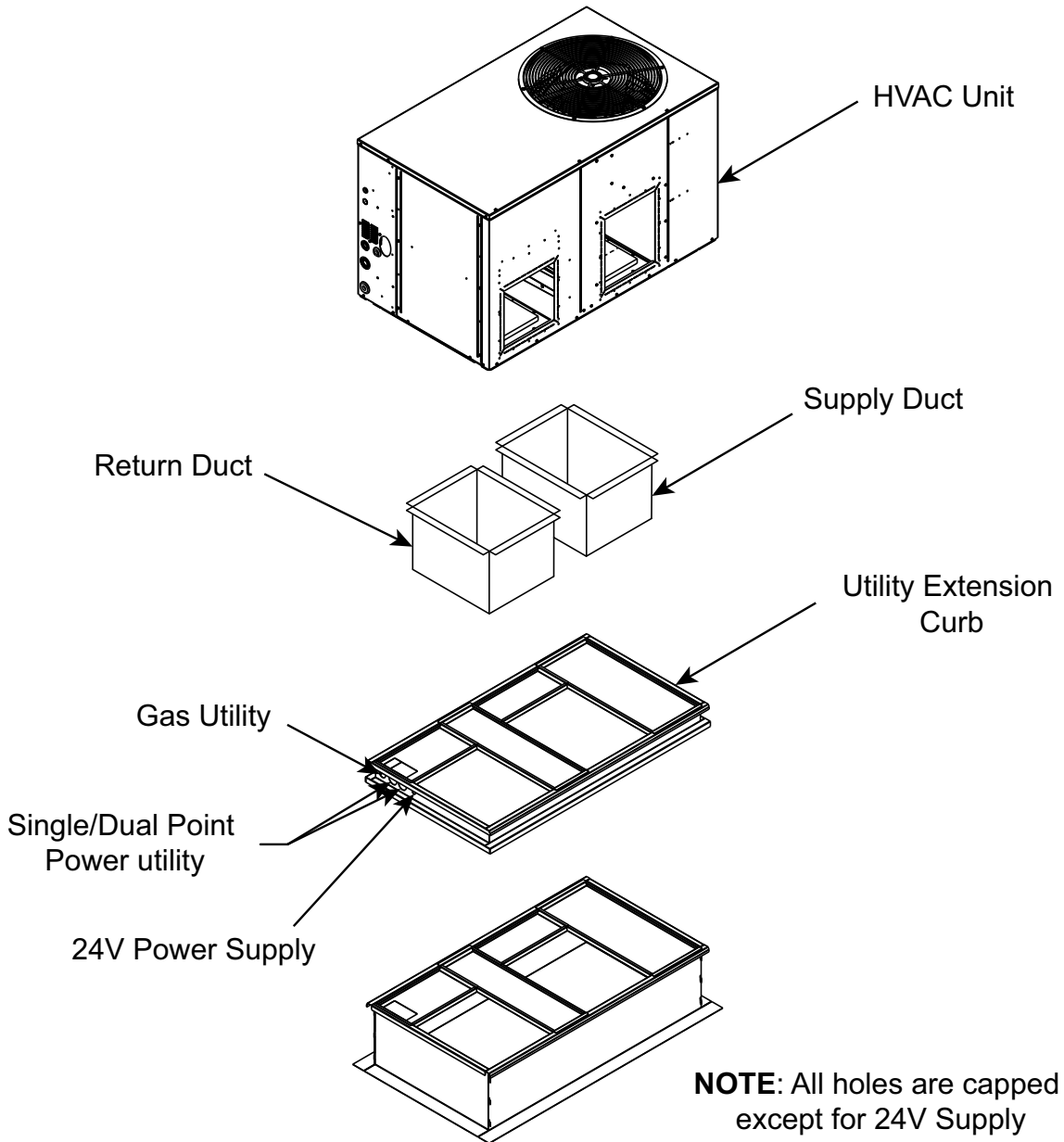
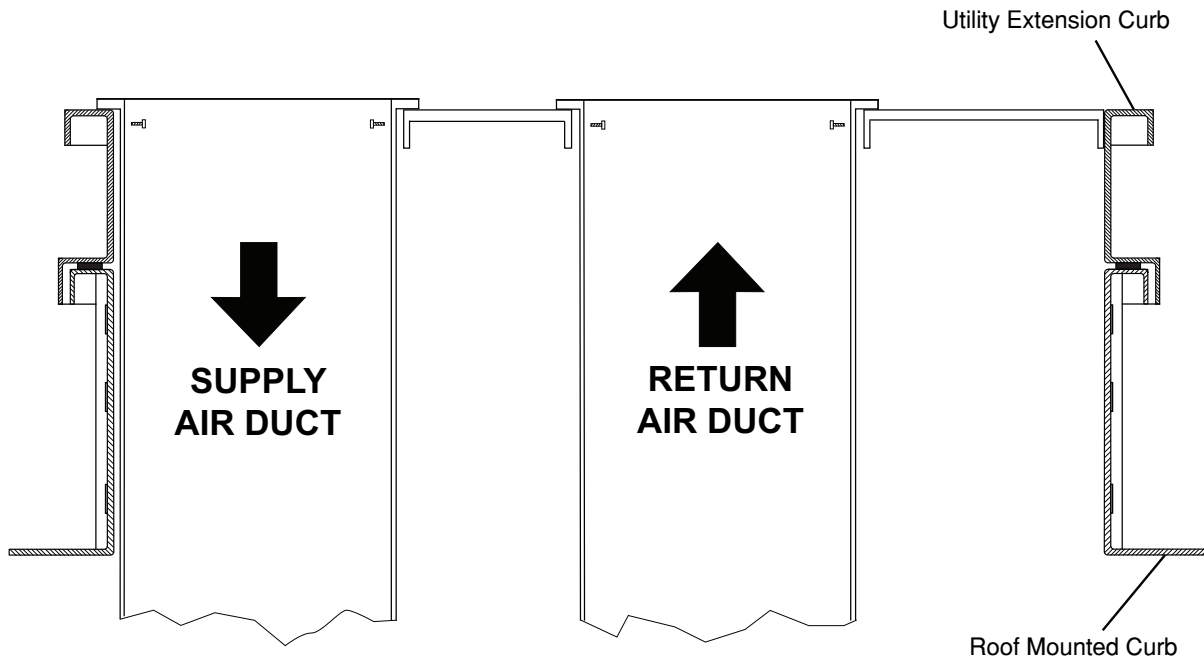


Figure 4. Positioning Ducts on Curb



## P.V.C. Rubber Gasket Position on the BAYUTIL— Extension for Unit Placement

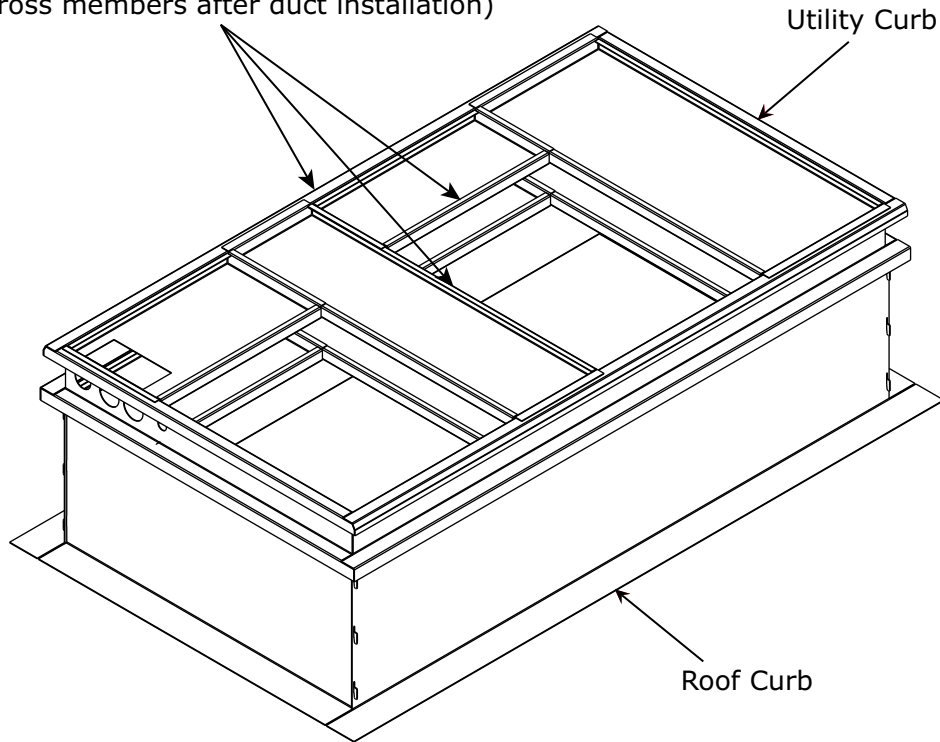
1. Place the 1-1/2" x 1/2" P.V.C. rubber tape (gasket) on mounting curb as illustrated in Figure 5. P.V.C. tape

to be applied to curb as shown after installation of field installed supply and return ducts and just prior to setting unit on mounting curb.

2. P.V.C. rubber tape (supplied with curb) must be applied in continuous strips of overlapped 1" minimum for complete watertight seal.

**Figure 5. Apply P.V.C Rubber Tape Gasketing**

Gasketing (apply to perimeter and across cross members after duct installation)



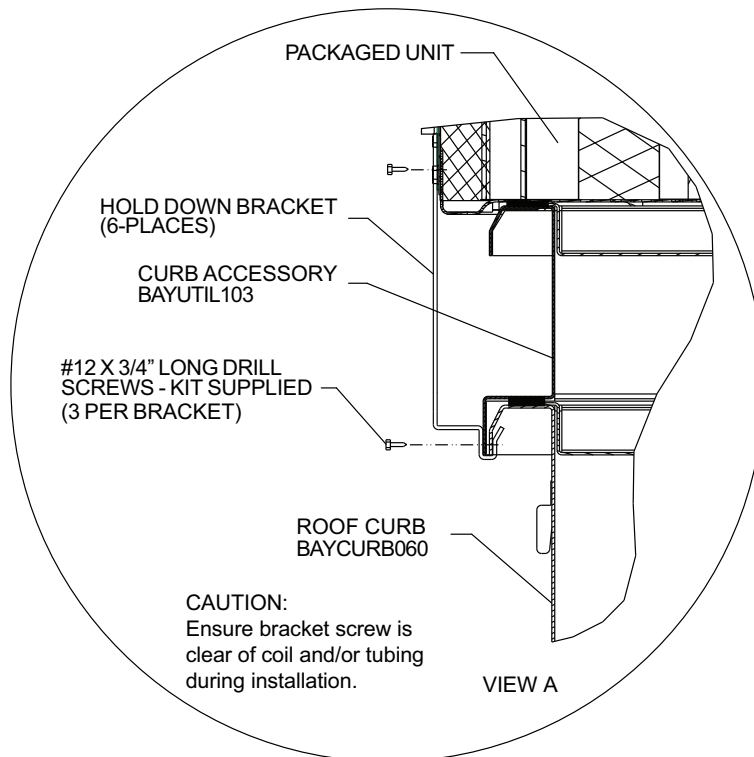
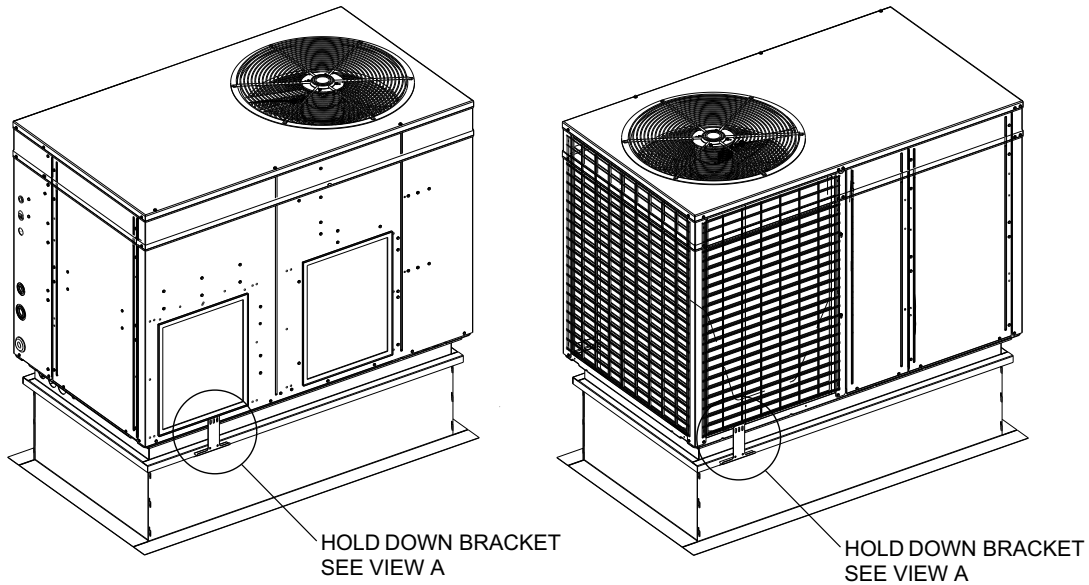
**NOTES:**

1. OVERLAP AND POSITION JOINTS IN P.V.C RUBBER GASKET
2. AIR SEALS - APPLY P.V.C RUBBER LAST TO INSURE THERE IS ADEQUATE P.V.C FOR WATER SEAL
3. USE TYPICAL SEALING METHODS TO PREVENT AIR DUCT LEAKAGE AT CURB-DUCT JOINT

## Hold Down Brackets Position on the BAYUTIL – Extension for Unit Placement

The 2 Hold Down Brackets (packed with the extension) are used to secure the unit to the roof curb.

Figure 6. Hold Down Brackets



## About Trane and American Standard Heating and Air Conditioning

Trane and American Standard create comfortable, energy efficient indoor environments for residential applications. For more information, please visit [www.trane.com](http://www.trane.com) or [www.americanstandardair.com](http://www.americanstandardair.com).

The manufacturer has a policy of continuous data improvement and it reserves the right to change design and specifications without notice. We are committed to using environmentally conscious print practices.