

# Installer's Guide

## Supplemental Electric Heaters

BAYHTR1V05LUGA  
BAYHTR1V08LUGA  
BAYHTR1V10LUGA  
BAYHTR1V15BRKA  
BAYHTR1V20BRKA

BAYHTR1H08LUGA  
BAYHTR1H10LUGA  
BAYHTR1H15BRKA  
BAYHTR1H20BRKA

### SAFETY WARNING

Only qualified personnel should install and service the equipment. The installation, starting up, and servicing of heating, ventilating, and air-conditioning equipment can be hazardous and requires specific knowledge and training. Improperly installed, adjusted or altered equipment by an unqualified person could result in death or serious injury. When working on the equipment, observe all precautions in the literature and on the tags, stickers, and labels that are attached to the equipment.

# SAFETY SECTION

**Important** — This document contains a wiring diagram, a parts list, and service information. This is customer property and is to remain with this unit. Please return to service information pack upon completion of work.

## **⚠ WARNING**

### **HAZARDOUS VOLTAGE!**

Failure to follow this Warning could result in property damage, severe personal injury, or death.

Disconnect all electric power, including remote disconnects before servicing. Follow proper lockout/tagout procedures to ensure the power cannot be inadvertently energized.

## **⚠ WARNING**

### **SAFETY AND ELECTRICAL HAZARD!**

Failure to follow this Warning could result in property damage, severe personal injury, or death.

These servicing instructions are for use by qualified personnel only. To reduce the risk of electrical shock, do not perform any servicing other than that contained in these operating instructions unless you are qualified to do so.

## **⚠ CAUTION**

### **GROUNDING REQUIRED!**

Failure to inspect or use proper service tools may result in equipment damage or personal injury. Reconnect all grounding devices. All parts of this product that are capable of conducting electrical current are grounded. If grounding wires, screws, straps, clips, nuts, or washers used to complete a path to ground are removed for service, they must be returned to their original position and properly fastened.

## **⚠ WARNING**

### **SAFETY HAZARD!**

Operating the unit without the access panels properly installed may result in severe personal injury or death.

Do not operate the unit without the evaporator fan access panel or evaporator coil access panel in place.

## **⚠ WARNING**

This product can expose you to chemicals including lead, which are known to the State of California to cause cancer and birth defects or other reproductive harm. For more information go to [www.P65Warnings.ca.gov](http://www.P65Warnings.ca.gov)!

**Important:** Wear appropriate gloves, arm sleeve protectors and eye protection when servicing or maintaining this equipment.

# Supplementary Electric Heaters

**Table 1. AC Models Only**

UNIT MODEL	ELECTRIC HEATER MODEL	RATED VOLT-AGE	PHASE	AMPS	HEATER CAPACITY		NO. OF STAGES	KW/STAGE		MCA	MAX. OVER CURRENT PROTECTION DEVICE
					KW	BTUH		1	2		
4TCA4024*1000A 4TCA4030*1000A 4TCA4036*1000A 4TCA4042*1000A 4TCA4048*1000A 4TCA4060*1000A 4TCA4060*1000A	BAYHTR1V05LUGA*	208/240	1	17/ 20	3.6/ 4.8	12300/ 16400	1	3.6/ 4.8	—	22/ 25	25/ 25
4TCA4036*1000A 4TCA4042*1000A 4TCA4048*1000A 4TCA4060*1000A 4TCA4060*1000A	BAYHTR1V08LUGA* BAYHTR1H08LUGA*	208/240	1	28/ 32	5.76/ 7.68	19700/ 26200	1	5.76/ 7.68	—	35/ 40	35/ 40
4TCA4036*1000A 4TCA4042*1000A 4TCA4048*1000A 4TCA4060*1000A 4TCA4060*1000A	BAYHTR1V10LUGA* BAYHTR1H10LUGA*	208/240	1	35/ 40	7.2/ 9.6	24600/ 32800	1	7.2/ 9.6	—	43/ 50	45/ 50
4TCA4030*1000A 4TCA4036*1000A 4TCA4042*1000A 4TCA4048*1000A 4TCA4060*1000A 4TCA4060*1000A	BAYHTR1V15BRKA* BAYHTR1H15BRKA*	208/240	1	52/ 60	10.8/ 14.4	36900/ 49100	2	7.2/ 9.6	3.6/ 4.8	65/ 75	70/ 80
4TCA4048*1000A 4TCA4060*1000A 4TCA4060*1000A	BAYHTR1V20BRKA* BAYHTR1H20BRKA*	208/240	1	69/ 80	14.4/ 19.2	49100/ 65500	2	7.2/ 9.6	7.2/ 9.6	87/ 100	90/ 100

1. Any power supply and circuits must be wired and protected in accordance with local electrical codes.
2. The values listed in the above table are for the electric heater only.
3. Field wiring must be rated at least 75° C.
4. \* indicates an alpha character

ALL VALUES ARE FOR THE ELECTRIC HEATER ONLY

**Table 2. HP Models Only**

UNIT MODEL	ELECTRIC HEATER MODEL	RATED VOLT-AGE	PHASE	AMPS	HEATER CAPACITY		NO. OF STAGES	KW/STAGE		MCA	MAX. OVER CURRENT PROTECTION DEVICE
					KW	BTUH		1	2		
4WCA4024*1000A 4WCA4030*1000A 4WCA4036*1000A 4WCA4042*1000A 4WCA4048*1000A 4WCA4060*1000A 4WCA4060*1000A	BAYHTR1V05LUGA*	208/240	1	17/ 20	3.6/ 4.8	12300/ 16400	1	3.6/ 4.8	—	22/ 25	25/ 25
4WCA4036*1000A 4WCA4042*1000A 4WCA4048*1000A 4WCA4060*1000A 4WCA4060*1000A	BAYHTR1H08LUGA* BAYHTR1H10LUGA*	208/240	1	28/ 32	5.76/ 7.68	19700/ 26200	1	5.76/ 7.68	—	35/ 40	35/ 40
4WCA4036*1000A 4WCA4042*1000A 4WCA4048*1000A 4WCA4060*1000A 4WCA4060*1000A	BAYHTR1H15BRKA*	208/240	1	52/ 60	10.8/ 14.4	36900/ 49100	2	7.2/ 9.6	3.6/ 4.8	65/ 75	70/ 80
4WCA4060*1000A	BAYHTR1H20BRKA*	208/240	1	69/ 80	14.4/ 19.2	49100/ 65500	2	7.2/ 9.6	7.2/ 9.6	87/ 100	90/ 100

1. Any power supply and circuits must be wired and protected in accordance with local electrical codes.
2. The values listed in the above table are for the electric heater only.
3. Field wiring must be rated at least 75° C.
4. \* indicates an alpha character

ALL VALUES ARE FOR THE ELECTRIC HEATER ONLY

### Installer's Guide

Follow these instructions to install the supplementary heaters in packaged units as described in the heater tables throughout this guide.

These instructions do not purport to cover all variations in system hookups nor to provide for every possible contingency to be met in connection with the installation. Should further information be desired, or should particular problems arise which are not covered sufficiently for the purchaser's purposes, refer the matter to the manufacturer.

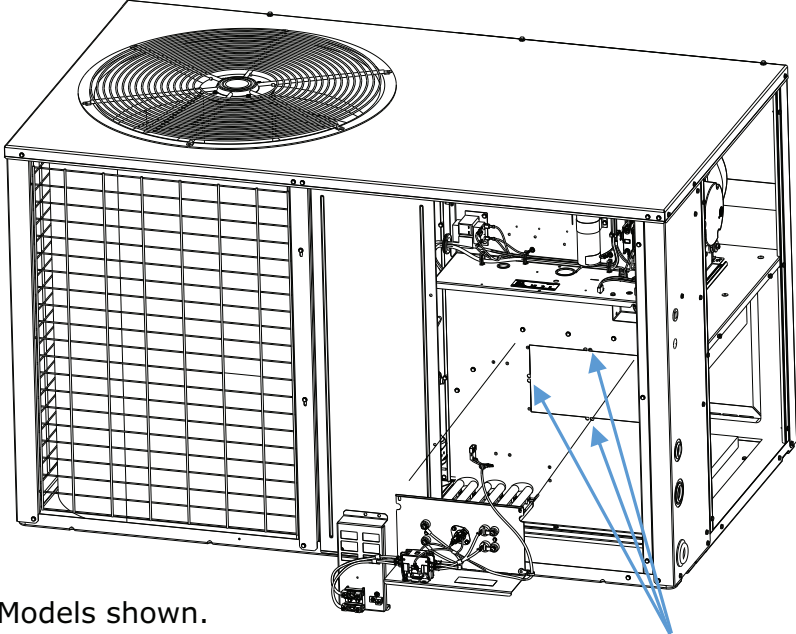
1. Check for any shipping damage and report any to the carrier immediately.
2. Check the heater nameplate and compare with the heater tables to ensure the available power supply complies with the table for the particular heater being used.

#### Install Heaters

1. Remove screws that secure the controls/heater.
2. Remove and discard the patch plate covering the opening where the heater will be inserted.
3. Slide the heater element section of heater assembly into the opening and, attach with four screws provided, with mounting holes aligned with

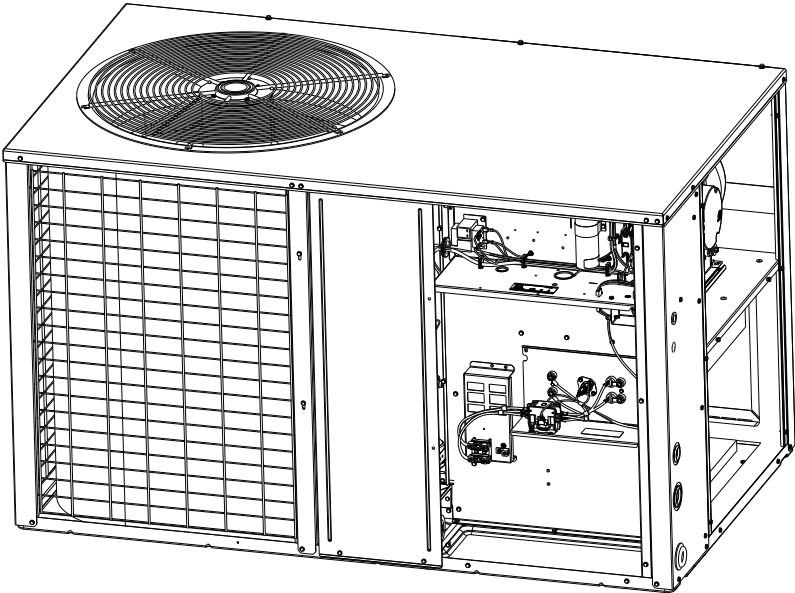
dimples in panel. Install bracket holding terminal block to left of heater, aligning four mounting holes with panel dimples.

4. Route low voltage heater control polarized plug up to bottom of control box and attach to polarized plug that is factory installed in control box base.
5. All low voltage connections have been made to the heater via the polarized plug. The low voltage controls can be connected to the room thermostat from the air conditioner or heat pump Low Voltage leads. See wiring diagrams. Low voltage is 24 Volts.
6. For high voltage wiring, remove the unit's power supply knockout, route the field wire through the heater compartment and connect the power supply to the heater's terminal block.
7. Connect the power supply ground lead to the heater's ground lug.
8. Place the included extra heater wiring diagram on the inner surface of the control/heater access panel next to the unit wiring diagram.
9. Reinstall the control box/heater access panel.
10. Restore power to the unit.



NOTE: AC Models shown.

SNIP TABS ON FOUR SIDES, REMOVE  
PANEL AND TRIM INSULATION

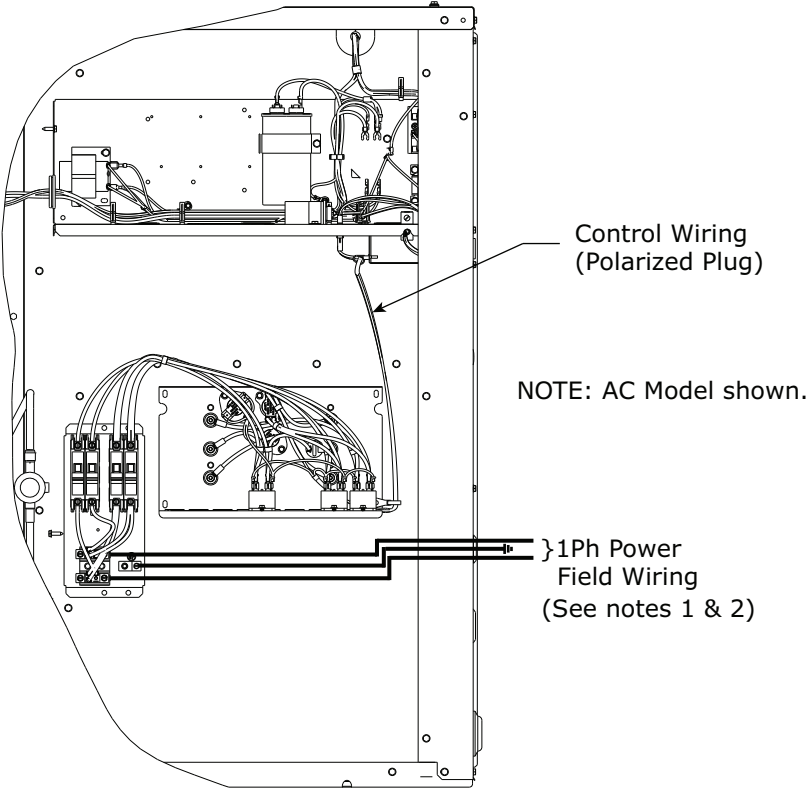


# Field Wiring — 4TCA/4WCA Air Conditioners/Heat Pumps

Notes:

- 1. Fused disconnect size, power wiring and grounding of equipment must comply with codes.
- 2. Be sure power supply agrees with equipment and heater nameplate.
- 3. Low voltage wiring to be 18 AWG minimum conductor.
- 4. See heater nameplate for current rating of heater used.
- 5. See unit and heater diagram for electrical connection details.

Typical Supplemental Heater Wiring





## About Trane and American Standard Heating and Air Conditioning

Trane and American Standard create comfortable, energy efficient indoor environments for residential applications. For more information, please visit [www.trane.com](http://www.trane.com) or [www.americanstandardair.com](http://www.americanstandardair.com).

---

The manufacturer has a policy of continuous data improvement and it reserves the right to change design and specifications without notice. We are committed to using environmentally conscious print practices.