

INSTALLER'S GUIDE

18-HE99D1-1C-EN

ALL phases of this installation must comply with NATIONAL, STATE AND LOCAL CODES

Coil TXV Kit:

2AYTXVH3H1836A
2AYTXVH3H4248A
2AYTXVH3H6060A

Fits Coil Models:

4PX, 4TXC-DS and 4TXF

IMPORTANT — This Document is customer property and is to remain with this unit. Please return to service information pack upon completion of work.

General Information

The Coil TXV Kit is intended only for use with the specific models of the 4PX, 4TXC-DS and 4TXF coils.

The Coil Thermostatic Expansion Valve (TXV) Kit is used to convert an R-410A application to an R-22 application.

NOTE: The TXV type must always match the refrigerant type listed on the name plate of the outside unit.

Kit Identification

Confirm the Coil TXV Kit type is approved to be used with the coil model. See Table 1 to verify proper kit and product model number.

Inspection

Check carefully for any shipping damage. Any damage must be reported to, and claims made against the transportation company immediately. Any missing parts should be reported to your supplier at once and replaced with authorized parts only.

TABLE 1:
Air Conditioning and Heat Pump Systems

R-22 TXV Kit	Coil models where used		
2AYTXVH3H1836A	4PX: 24-36	4TXC: 002DS-005DS	4TXF: 24-33
2AYTXVH3H4248A	4PX: 42-48	4TXC: 006DS-008DS	4TXF: 36-41
2AYTXVH3H6060A	4PX: 60	4TXC: 009DS-010DS	4TXF: 54-64

Coil TXV Kit Contents

This kit is used to convert a coil to R-22 refrigerant.

Open and inspect contents for damage or missing items.

Each kit contains:

No.	Qty	Description
1	1	R22 Expansion Valve
2	2	Teflon® O-ring
3	1	R22 Caution Label
4	1	Installer's Guide (Not shown)
5	2	Insulation
6	1	Cable Tie
7	1*	Bulb Clip

*Kit model 2AYTXVH3H1836A has two bulb clips. Use "P01" for 7/8" suction line, and "P03" for 3/4" suction line.

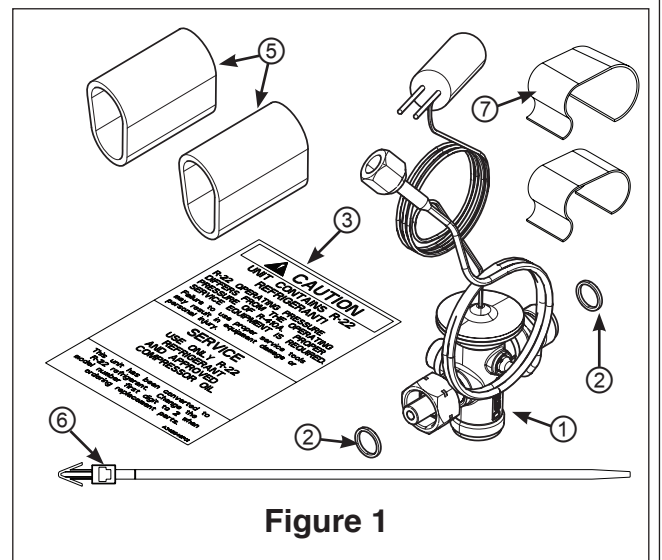


Figure 1

Installation Instructions

1. If the coil has been previously installed, recover system charge or “pump-down” system charge into the condensing unit complying with EPA regulations.

NOTE: Minimize the amount of movement of the aluminum distributor tubes to prevent weakening of the material which could lead to leaks.

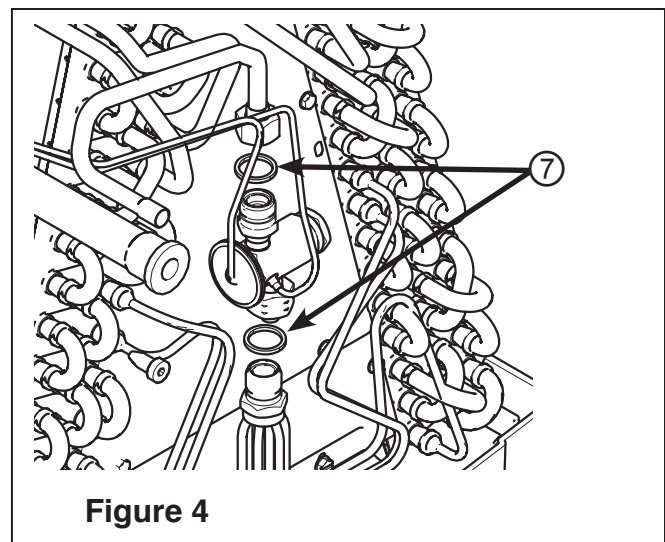
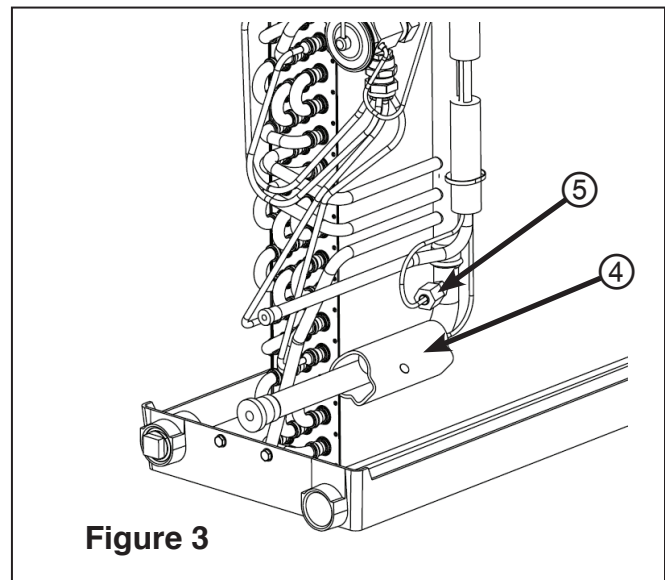
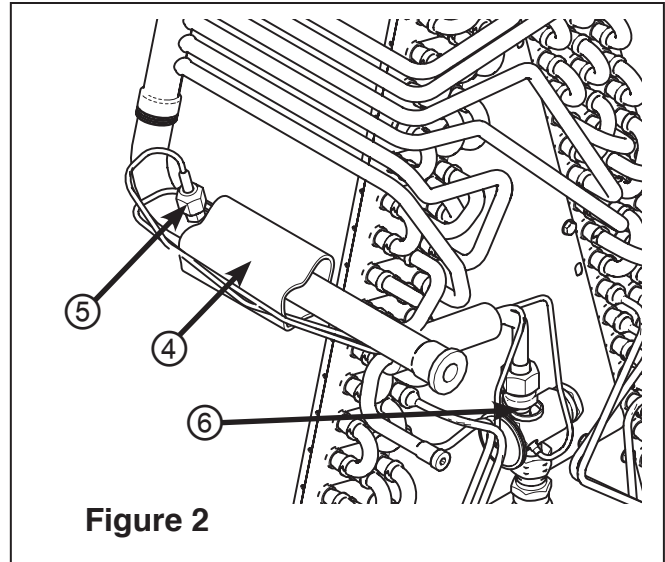
2. Remove the line set and coil panels from the coil.
3. Slide the coil out from the cabinet. Remove the side drain pan in 4PX and 4TXC-DS coils from the cabinet.
4. Remove the sensing bulb from the suction line by removing the bulb insulation and hose clamp.
5. Using a back-up wrench, loosen the external equalizing coupling.
6. Using a back-up wrench, loosen the mechanical fittings between the TXV and distributor. For 4PX and 4TXC-DS coils, cut the wire tie around the TXV body and remove. For 4TXF coils remove the TXV from the bracket.

NOTE: Remove and discard the existing Teflon O-rings from the existing flow control assembly. O-rings may be attached to the TXV or the fittings.

7. DO NOT oil threads. To install the Coil TXV, install one new O-ring over the Distributor Fitting (Figures 4 and 5). Install the other new O-ring over the Liquid Line Fitting (Figures 4 and 5) and connect the adapters by hand to ensure proper mating of threads. The new O-rings are supplied in the kit. Tighten until bodies “bottom” or a definite resistance is felt. The valve will only fit in one direction of flow. Use a back-up wrench and tighten an additional 1/4 turn. For 4TXF coils install the TXV in the bracket.

IMPORTANT: Correct tightening of the couplings is very important. Under- or over-tightening may result in a coupling leak.

8. For 4PX and 4TXC-DS wrap arrow-head wire tie provided in kit around the TXV and insert into hole on delta plate of coil to hold in place.



9. Install the Equalizer Line (Figures 6 and 7), hand-tighten until flare bottoms, then use a back-up wrench to tighten securely.

IMPORTANT: Replacing the liquid line filter drier is recommended if system has been commissioned. This is not necessary if this kit is being installed on a new coil.

10. To avoid damaging the TXV, remove the bulb or wrap a wet rag around the suction line between the TXV bulb and the braze joint before brazing.
11. After completing the brazing operation, allow the lines to cool. Attach the bulb to the suction line using the supplied bulb clip (use P01 for 7/8" line, and P03 for 3/4" line). Wrap with supplied insulation.

Ensure that the entire length of the bulb is in firm contact with the suction line. If a bulb indentation is present in line, locate bulb squarely within indentation and do not allow bulb to overhang.

12. Loosely wrap the liquid line, bulb line, and equalizer line together with insulation (Figures 8 and 9). Ensure that installed insulation prevents any copper lines from touching aluminum tubes, to prevent leaks due to corrosion.
13. Pressurize with dry nitrogen and leak test all joints to insure no leaks exist. Evacuate system to a minimum of 500 microns.
14. Verify that all distributor tubes are positioned over the drain pan to assure that any condensate is collected.
15. Open valves to outdoor unit if pumped-down or charge to a minimum of 50 psig static pressure. Start system and charge to appropriate level per the charging method recommended in the Outdoor Unit Installer's Guide.

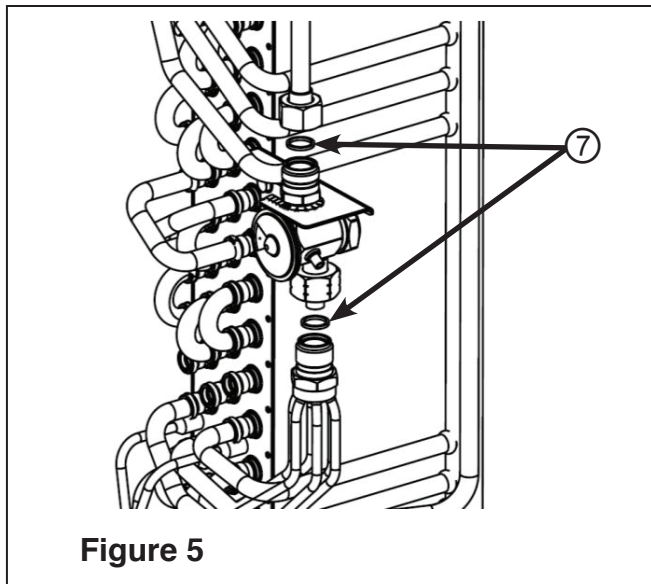


Figure 5

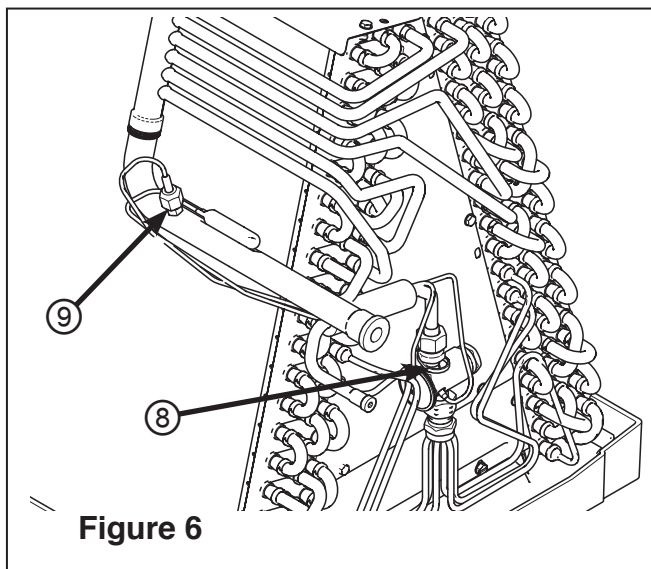


Figure 6

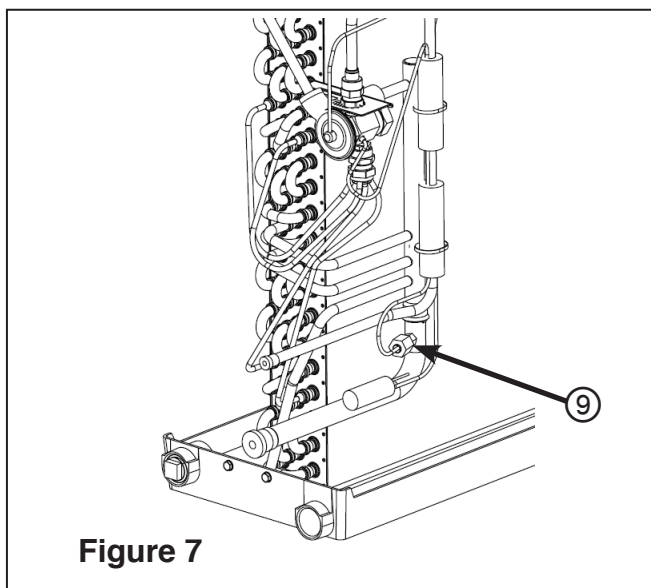


Figure 7

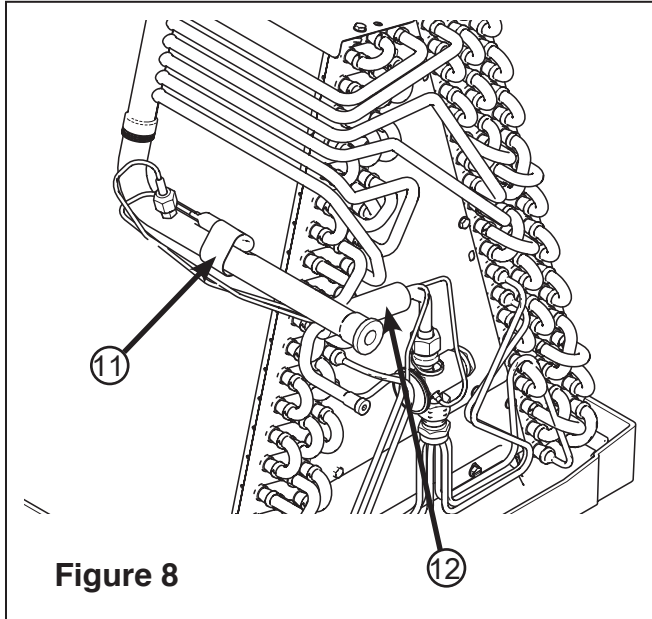


Figure 8

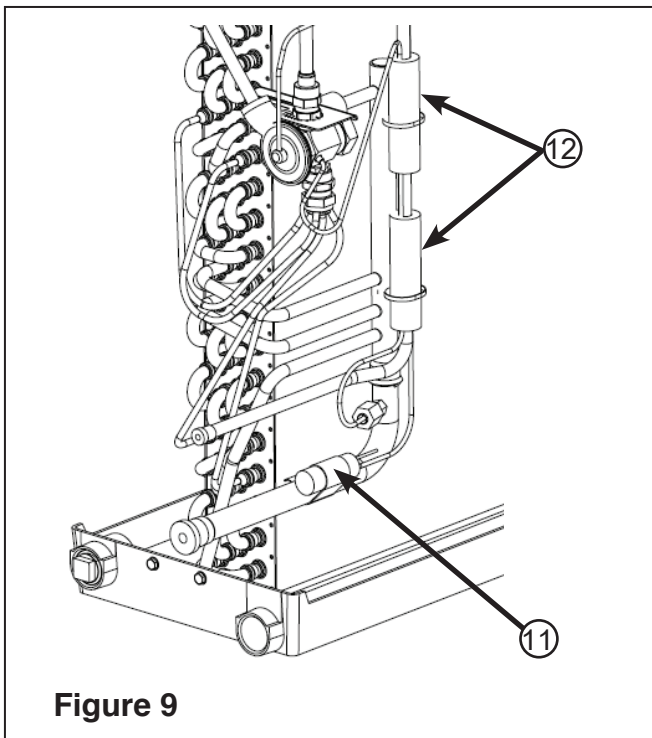


Figure 9

IMPORTANT: Install the caution label (Figure 10) on front panel of the unit.

⚠ CAUTION

UNIT CONTAINS R-22 REFRIGERANT!

R-22 OPERATING PRESSURE DIFFERS FROM THE OPERATING PRESSURE OF R-410A. PROPER SERVICE EQUIPMENT IS REQUIRED. Failure to use proper service tools may result in equipment damage or personal injury.

SERVICE

USE ONLY R-22 REFRIGERANT AND APPROVED COMPRESSOR OIL

This unit has been converted to R-22 refrigerant. Change the model number first digit to 2 when ordering replacement parts.

A342546P01

Figure 10

About Trane and American Standard Heating and Air Conditioning

Trane and American Standard create comfortable, energy efficient indoor environments for residential applications. For more information, please visit www.trane.com or www.americanstandardair.com

The manufacturer has a policy of continuous data improvement and it reserves the right to change design and specifications without notice. We are committed to using environmentally conscious print practices.