

Installer's Guide

Square to Round Adaptor Kit

ALL phases of this installation must comply with **NATIONAL, STATE AND LOCAL CODES**.

IMPORTANT — This Document is customer property and is to remain with this unit. Please return to service information pack upon completion of work.

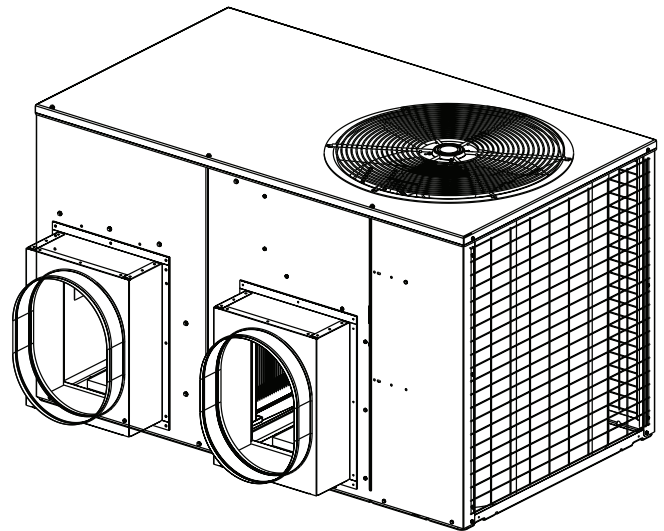
These instructions do not cover all variations in systems or provide for every possible contingency to be met in connection with the installation. Should further information be desired or should particular problems arise which are not covered sufficiently for the purchaser's purposes, the matter should be referred to your installing dealer or local distributor.

Note: The manufacturer recommends installing only approved matched indoor and outdoor systems. All of the manufacture's split systems are AHRI rated only with TXV/EEV indoor systems. Some of the benefits of installing approved matched indoor and outdoor split systems are maximum efficiency, optimum performance and the best overall system reliability.

Models

BAYSQRD001AB

BAYSQRD002AB



⚠ WARNING

Only qualified personnel should install and service the equipment. The installation, starting up, and servicing of heating, ventilating, and air-conditioning equipment can be hazardous and requires specific knowledge and training. Improperly installed, adjusted or altered equipment by an unqualified person could result in death or serious injury. When working on the equipment, observe all precautions in the literature and on the tags, stickers, and labels that are attached to the equipment.

Safety Section

WARNING

HAZARDOUS VOLTAGE!

Failure to follow this Warning could result in property damage, severe personal injury, or death. Disconnect all electric power, including remote disconnects before servicing. Follow proper lockout/tagout procedures to ensure the power cannot be inadvertently energized.

General Data

Kit Contents

Items	Quantity
Supply Adaptor	1
Return Adaptor	1
Gasketing	A/R

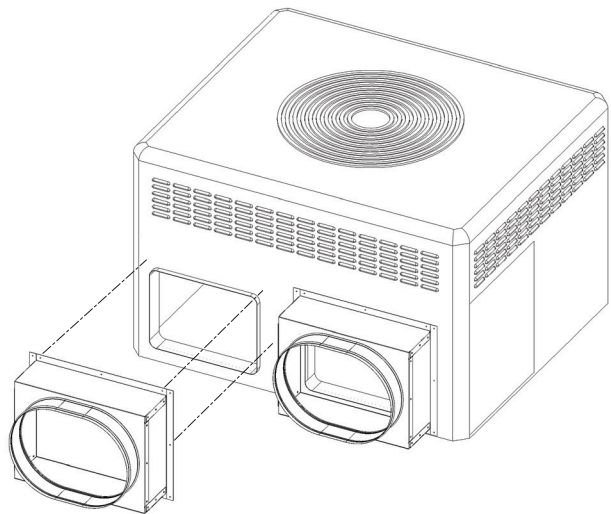
Inspection

Check carefully for any shipping damage. This must be reported to and claims made against the transportation company immediately. Any missing parts should be reported to your supplier at once and replaced with authorized parts only.

Install Adaptor Kit

1. Remove the panels covering both the horizontal supply and return openings on the unit.
2. Attach gasketing to the flanges on both adaptors.
3. Place one of the adaptors over the supply opening. Align the adaptor so that the left side edge of the adaptor flange is flush to the side of the mitred corner post on the cabinet, and the bottom flange of the adaptor is flush with the bottom of the cabinet. Secure with sheet metal screws. See Figure 1.

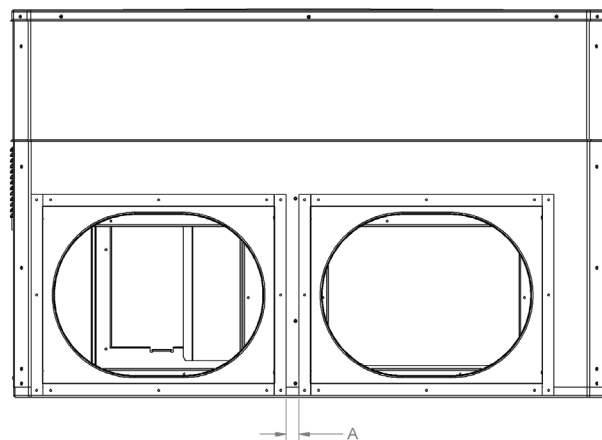
Figure 1. Install Supply Adaptor



4. **For use with small 12 cabinet *****016-36 Models** - Place the other adaptor over the return opening of the cabinet. Align the adaptor so that there is 1" between the flanges of the adaptors and that the bottom flange is with the bottom of the cabinet. Secure with sheet metal screws. See Figure 2.

For use with medium 12 cabinet ***042-60 Models** - Follow instructions above but leave a 4-1/2" gap. See Figure 2.

Figure 2. Install and Align Return Adaptor

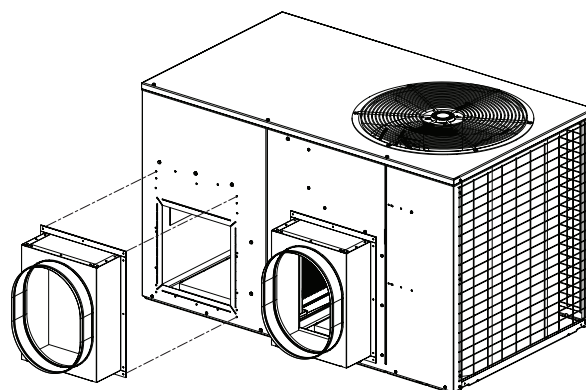


	A	INSTALL NOTE
BAYSQRD001AB	1"	AS ABOVE
BAYSQRD002AB	4- 1/2"	LONGER 20.92" SIDE TOP/BOTTOM

5. **For use with 4*CA4024-60 Models** - Place adaptors over the supply and return openings and align with dimples. Secure with sheet metal screws. The 16" or the 18" flexduct can be used. See Figures 3 and 4.

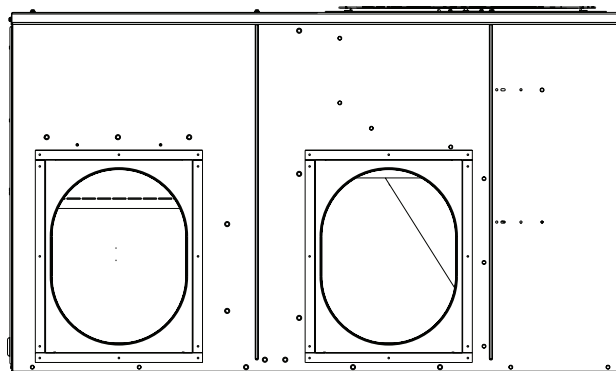
NOTE: The steps 3 and 4 do not apply to 4*CA4024-60 models.

Figure 3. Install Supply Adaptor (4*CA4024-60)



Note: Notice orientation of the Adaptor.

Figure 4. Install and Align Return Adaptor (4*CA4024-60)

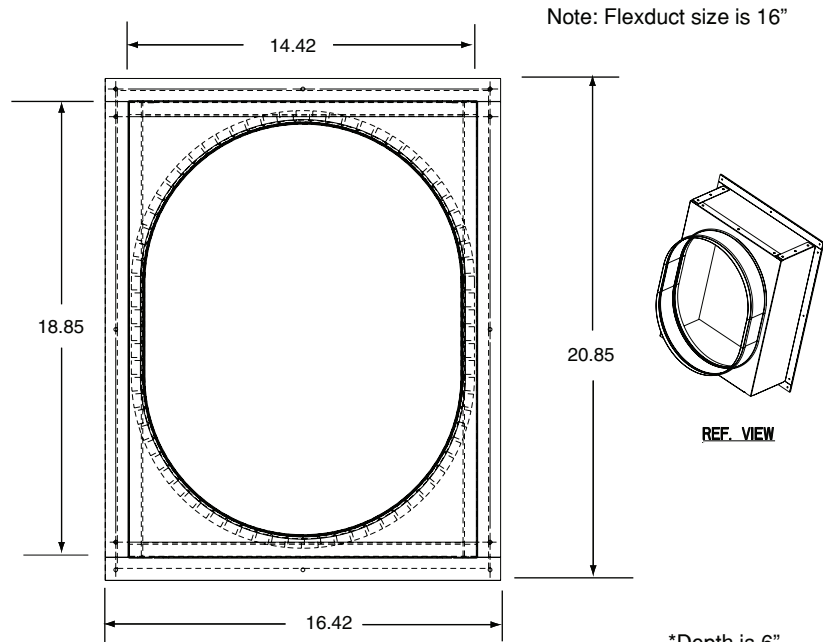


	INSTALL NOTE
BAYSQRD001AB	AS ABOVE
BAYSQRD002AB	SHORTER 20.35" SIDE TOP/BOTTOM

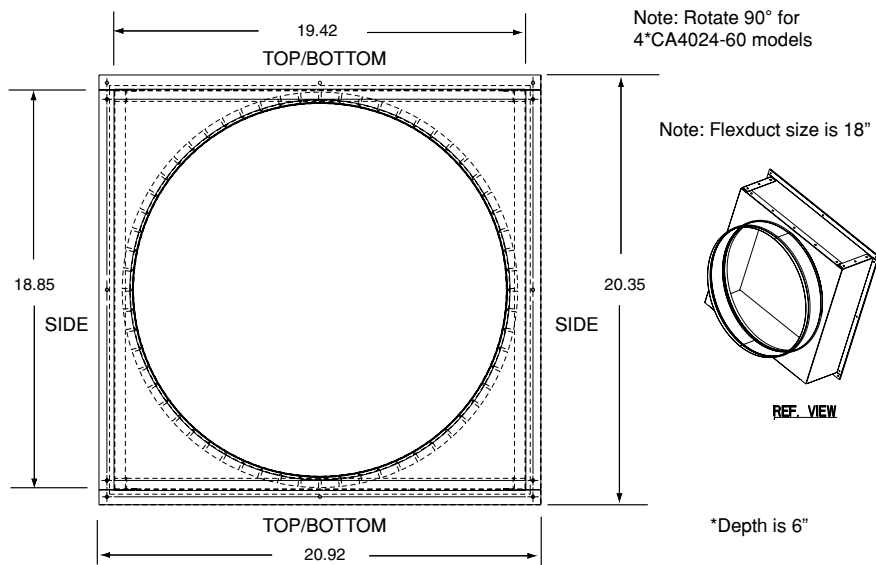
6. Connect field supplied flex duct to the adaptors and secure with field supplied clamps. See Figure 5 for dimensional drawings for flexduct sizing.

Figure 5. Dimensional Drawing

BAYSQRD001AB Dimensions
(For use on ****018-036 Units)



BAYSQRD002AB Dimensions
(For use on ****042-060 Units)



About Trane and American Standard Heating and Air Conditioning
Trane and American Standard create comfortable, energy efficient indoor environments for residential applications. For more information, please visit www.trane.com or www.americanstandardair.com

The manufacturer has a policy of continuous data improvement and it reserves the right to change design and specifications without notice. We are committed to using environmentally conscious print practices.