

Installer's Guide

Extreme Condition Mounting Kit BAYEXMK002 For Mounting on Utility Curbs

⚠ WARNING: HAZARDOUS VOLTAGE – DISCONNECT POWER BEFORE SERVICING

ALL phases of this installation must comply with NATIONAL, STATE AND LOCAL CODES

IMPORTANT—This Document is customer property and is to remain with this unit. Please return to service information pack upon completion of work.

Kit Contents

Items	Quantity
Angle-Reinforcement	4 (for BAYCURB* only)
Bracket	6
Self drilling #12-3/4" Screws	56

NOTE: * indicates remaining alpha characters.

Inspection

Check carefully for any shipping damage. This must be reported to and claims made against the transportation company immediately. Any missing parts should be reported to your supplier at once, and replaced with authorized parts only.

Installation (with BAYUTIL101, 102 and BAYCURB050, 051)

1. Attach the four (4) Angle-Reinforcements to each corner of the BAYCURB050, 051. Measure down 3/4" from the top of the curb to the top of the Angle-Reinforcement and attach with 8 of the 3/4" 12-14

self drilling screws (supplied in the kit).

2. Attach each of the six (6) brackets to the unit and the curb using four (4) of the 3/4" 12-14 self drilling screws supplied in the kit. Two (2) screws into the side of the unit and two (2) screws into the side of the utility curb. Install two (2) brackets on each of the long sides and one (1) on each of the short sides of the unit.

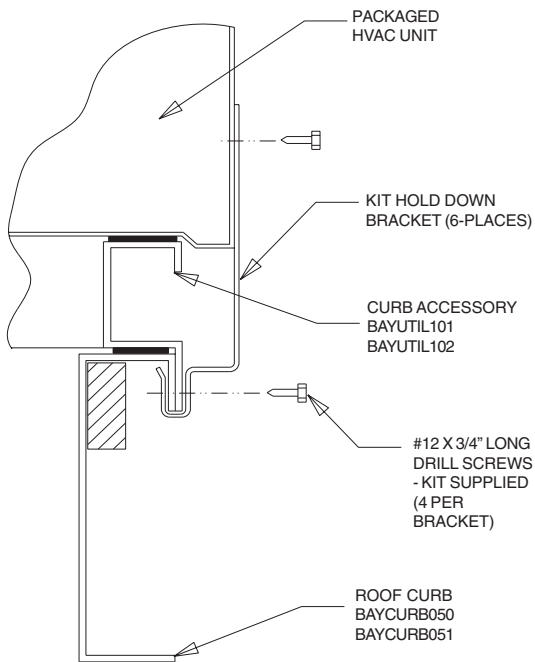
Installation (with BAYUTIL103 and BAYCURB060)

1. Attach the four (4) Angle-Reinforcements to each corner of the BAYCURB060. Measure down 3/4" from the top of the curb to the top of the Angle-Reinforcement and attach with 8 of the 3/4" 12-14 self drilling screws (supplied in the kit).
2. Attach each of the six (6) brackets to the unit and the curb using four (4) of the 3/4" 12-14 self drilling screws supplied in the kit. Two (2) screws into the side of the unit and two (2) screws into the side of the utility curb. Install three (3) brackets on each of the long sides of the unit.

BAYEXMK002
REPLACE AFTER SERVICE

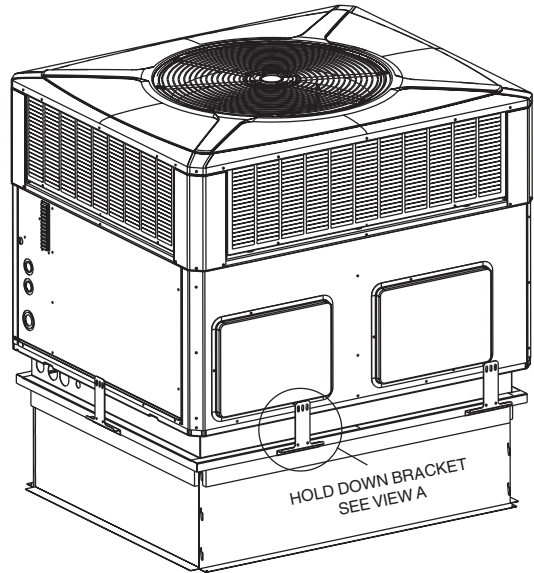
BAYEXMK002 Installation

(Unit Mounted to BAYUTIL101, 102 and BAYCURB050, 051)



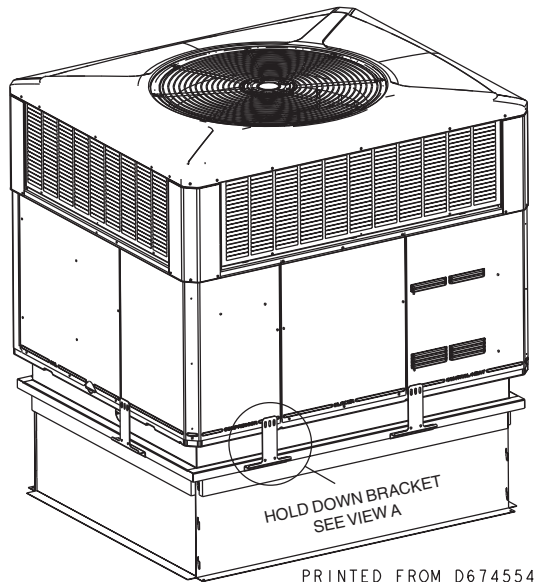
PRINTED FROM D674554

VIEW A
(END VIEW)



PRINTED FROM D674554

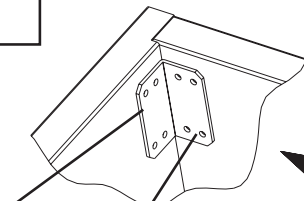
SUPPLY & RETURN SIDE OF UNIT
(3 BRACKETS, THIS SIDE - TO BE LOCATED AS SHOWN)



PRINTED FROM D674554

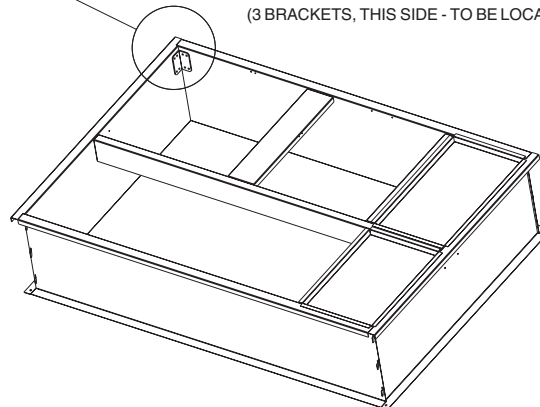
CONTROL BOX ACCESS SIDE OF UNIT
(3 BRACKETS, THIS SIDE - TO BE LOCATED AS SHOWN)

IMPORTANT: FOUR CORNER ANGLES MUST BE INSTALLED PRIOR TO SETTING HVAC UNIT ONTO ROOF CURB!



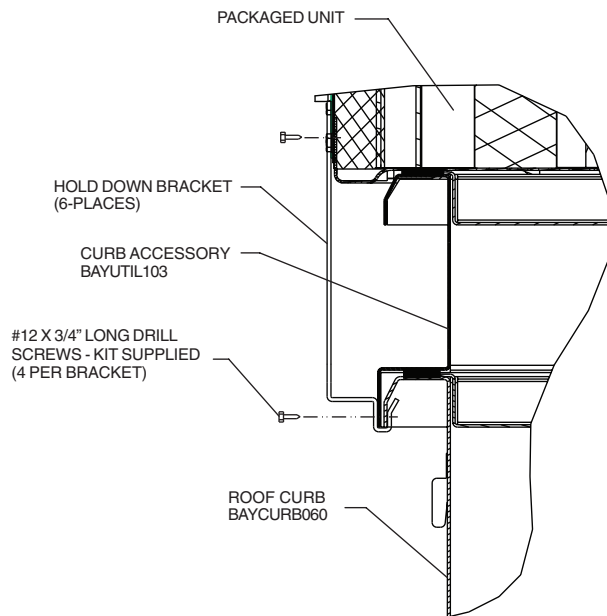
KIT SUPPLIED REINFORCEMENT ANGLE (INSTALL ON ALL FOUR INSIDE CORNERS, 3/4" FROM TOP OF BAYCURB)

KIT SUPPLIED 3/4" LONG DRILL SCREWS (8 PER ANGLE)

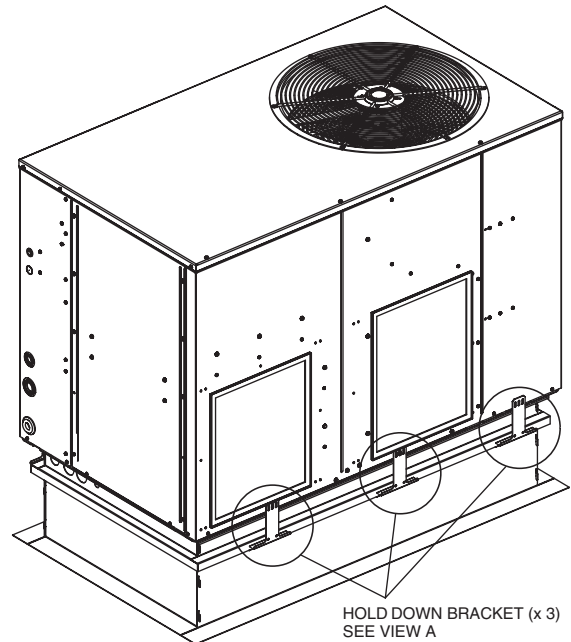


BAYEXMK002 Installation

(Unit Mounted to BAYUTIL103 and BAYCURB060)

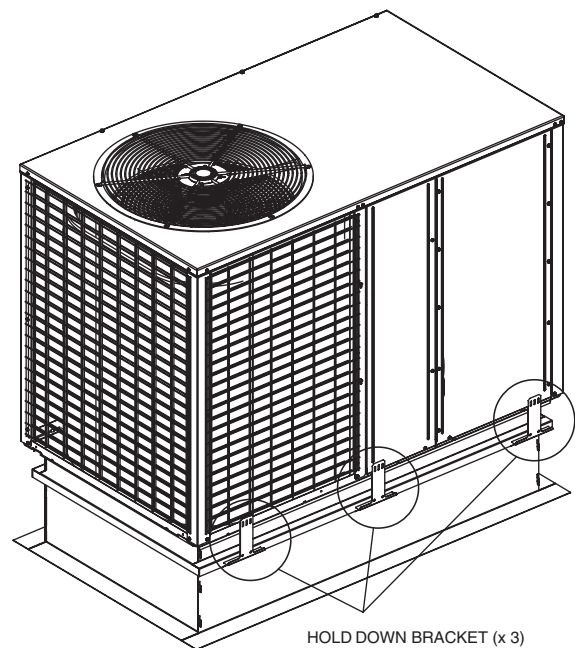
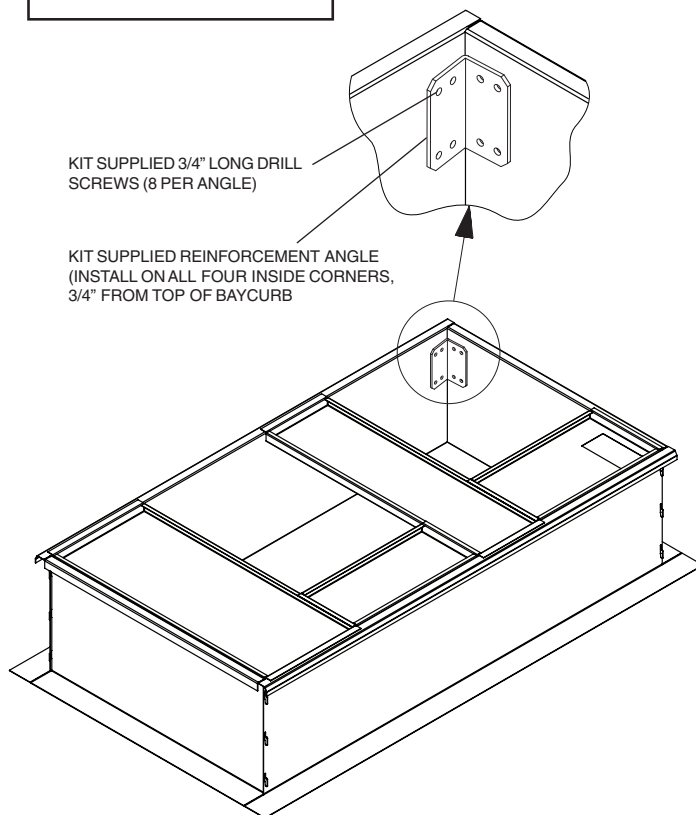


VIEW A
(END VIEW)



SUPPLY & RETURN SIDE OF UNIT
(3 BRACKETS, THIS SIDE - TO BE LOCATED AS SHOWN)

IMPORTANT: FOUR CORNER ANGLES MUST BE INSTALLED PRIOR TO SETTING HVAC UNIT ONTO ROOF CURB!



CONTROL BOX ACCESS SIDE OF UNIT
(3 BRACKETS, THIS SIDE - TO BE LOCATED AS SHOWN)

CAUTION:
Ensure bracket screws are clear of coil and/or tubing during installation.

About Trane and American Standard Heating and Air Conditioning

Trane and American Standard create comfortable, energy efficient indoor environments for residential applications. For more information, please visit www.trane.com or www.americanstandardair.com

The manufacturer has a policy of continuous data improvement and it reserves the right to change design and specifications without notice. We are committed to using environmentally conscious print practices.

18-HE74D1-3C-EN 14 Jul 2023

Supersedes 18-HE74D1-3B-EN (June 2020)

© 2023