

Installer's Guide

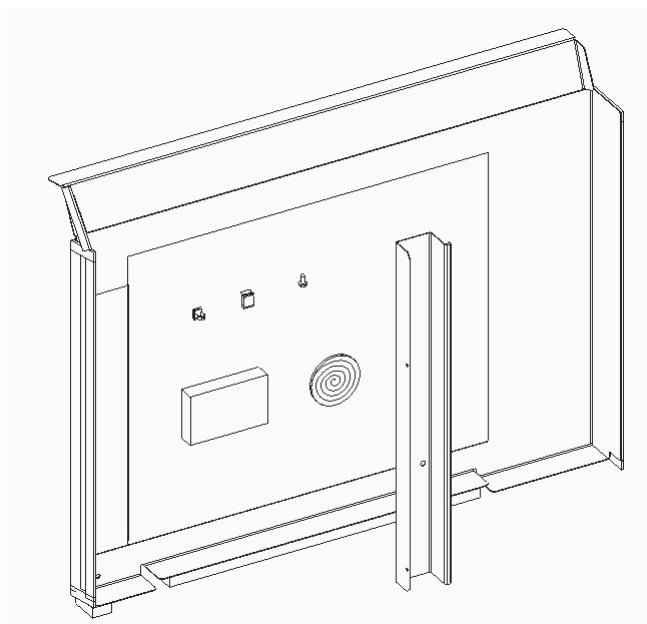
Filter Rack for ACCE and 5-Inch Media Filters PKG Unit Applications

BAYACCEADP1A (Base-1 Kit for 024 – 036)

BAYACCEADP2A (Base-2 Kit for 042 – 060)

IMPORTANT:

- Horizontal Installations Only
- Not approved for Down Flow
- Cannot be applied in conjunction with economizers.



Note: Graphics in this document are for representation only. Actual model may differ in appearance.

⚠ SAFETY WARNING

Only qualified personnel should install and service the equipment. The installation, starting up, and servicing of heating, ventilating, and air-conditioning equipment can be hazardous and requires specific knowledge and training. Improperly installed, adjusted or altered equipment by an unqualified person could result in death or serious injury. When working on the equipment, observe all precautions in the literature and on the tags, stickers, and labels that are attached to the equipment.

SAFETY SECTION

Important — This document contains a wiring diagram, a parts list, and service information. This is customer property and is to remain with this unit. Please return to service information pack upon completion of work.

⚠ WARNING

HAZARDOUS VOLTAGE!

Failure to follow this Warning could result in property damage, severe personal injury, or death.

Disconnect all electric power, including remote disconnects before servicing. Follow proper lockout/tagout procedures to ensure the power cannot be inadvertently energized.

⚠ WARNING

SAFETY AND ELECTRICAL HAZARD!

Failure to follow this Warning could result in property damage, severe personal injury, or death.

These servicing instructions are for use by qualified personnel only. To reduce the risk of electrical shock, do not perform any servicing other than that contained in these operating instructions unless you are qualified to do so.

⚠ CAUTION

GROUNDING REQUIRED!

Failure to inspect or use proper service tools may result in equipment damage or personal injury. Reconnect all grounding devices. All parts of this product that are capable of conducting electrical current are grounded. If grounding wires, screws, straps, clips, nuts, or washers used to complete a path to ground are removed for service, they must be returned to their original position and properly fastened.

⚠ WARNING

SAFETY HAZARD!

Operating the unit without the access panels properly installed may result in severe personal injury or death.

Do not operate the unit without the evaporator fan access panel or evaporator coil access panel in place.

⚠ WARNING

This product can expose you to chemicals including lead, which are known to the State of California to cause cancer and birth defects or other reproductive harm. For more information go to www.P65Warnings.ca.gov!

Important: Wear appropriate gloves, arm sleeve protectors and eye protection when servicing or maintaining this equipment.

Table of Contents

| | | | |
|--|---|---|----|
| General Data | 4 | Part B: Electrical Wiring and Connections..... | 11 |
| Part A: Installation of ACCE Filter and Rack Assembly | 5 | Pressure Drop Data | 14 |
| Rack Preparation and Assembly | 6 | | |

General Data

The filter rack is used to hold Electronic Filters / 5" Media Filters in its position for applicable packaged units.

Important: The ACCE/Media filter EFD175DLAH000A or EQBFM17DA0AH11 must be ordered separately.

⚠ CAUTION

Potential Coil Damage!
 In order to avoid possible coil damage, remove clips safely using the proper tools and avoid sharp edges with routing clips.

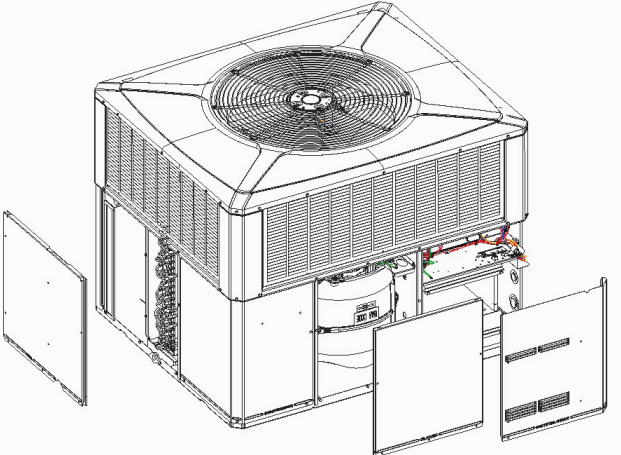
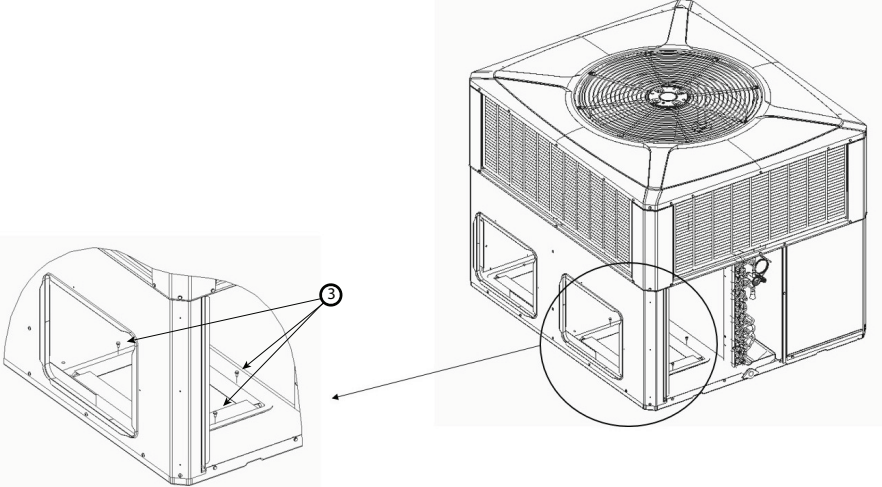
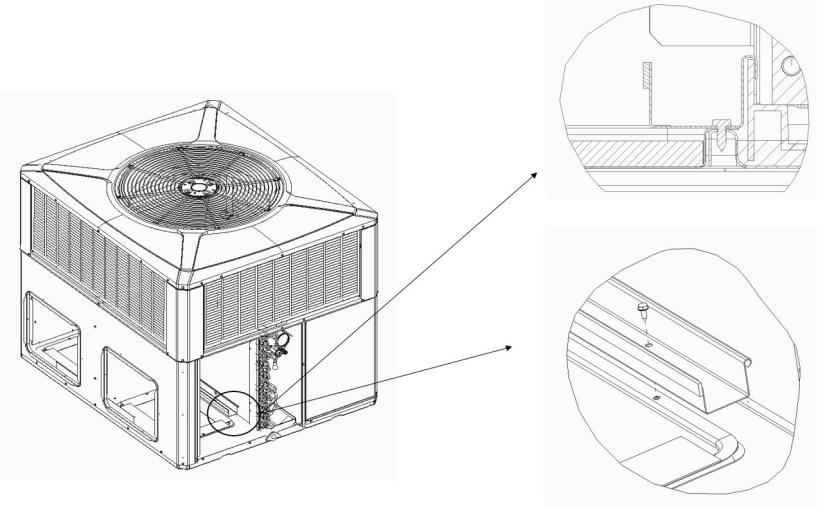
| FILTER TYPE | FILTER MODEL # | USAGE BY SIZE |
|--------------------|----------------|------------------|
| Electronic Filters | EFD175DLAH000A | Base-1 (024-036) |
| | EFD175DLFR000A | Base-2 (042-060) |
| 5" Media Filters | EQBFM175A0FR11 | Base-1 (024-036) |
| | EQBFM17DA0AH11 | Base-2 (042-060) |

Table 1. Identify your Filter Rack Kit Contents

| | |
|---|--|
| <ol style="list-style-type: none"> 1. Filter Rack (1) 2. Bracket Rail (1) 3. Clips (5) 4. Gasket (1-Roll) (Non-Gas Furnace Models Only) 5. Wire Router (3) 6. Gasket - Access Door / Side Panel (1) | |
|---|--|

Part A: Installation of ACCE Filter and Rack Assembly

Table 2. Preparing the unit

| | |
|--|--|
| <p>Step 1: Remove all screws from the Service Panel and remove the panels as shown in the adjacent figure.</p> |  |
| <p>Step 2: Remove three (3) screws from the Down Flow cutout opening as shown in the adjacent figure.</p> |  |
| <p>Step 3: Hook the Base Channel over the drain pan and slide it to align with the hole in the down flow cutout where you previously removed a screw. Once the bracket rail is aligned with the hole, fasten it with the screw at that location.</p> <p>Note: Ensure that the base channel is aligned straight.</p> |  |

Rack Preparation and Assembly

Table 3. Install Gasket

Step 4:
Note: This step is only for NON-Gas Furnace models.
Apply gasket on top bracket of the filter rack as shown in the adjacent figure.

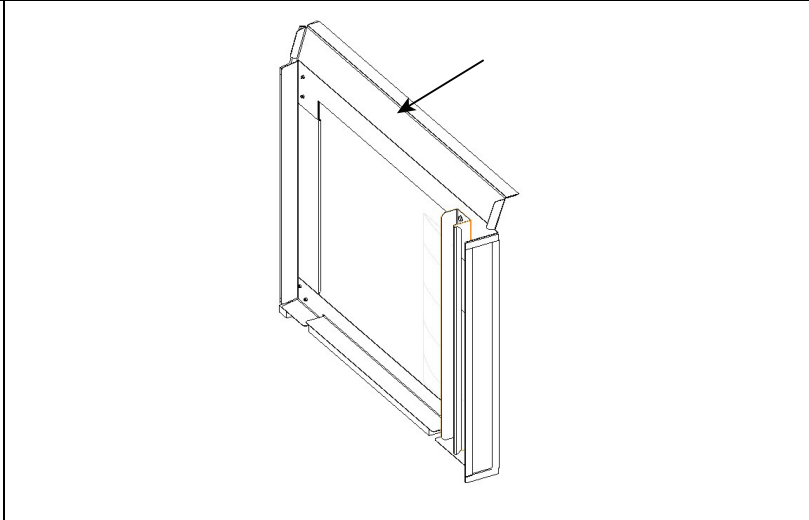


Table 4. Inserting Filter Rack

Step 5:
Rotate, position Filter Rack and install as shown in the adjacent images.

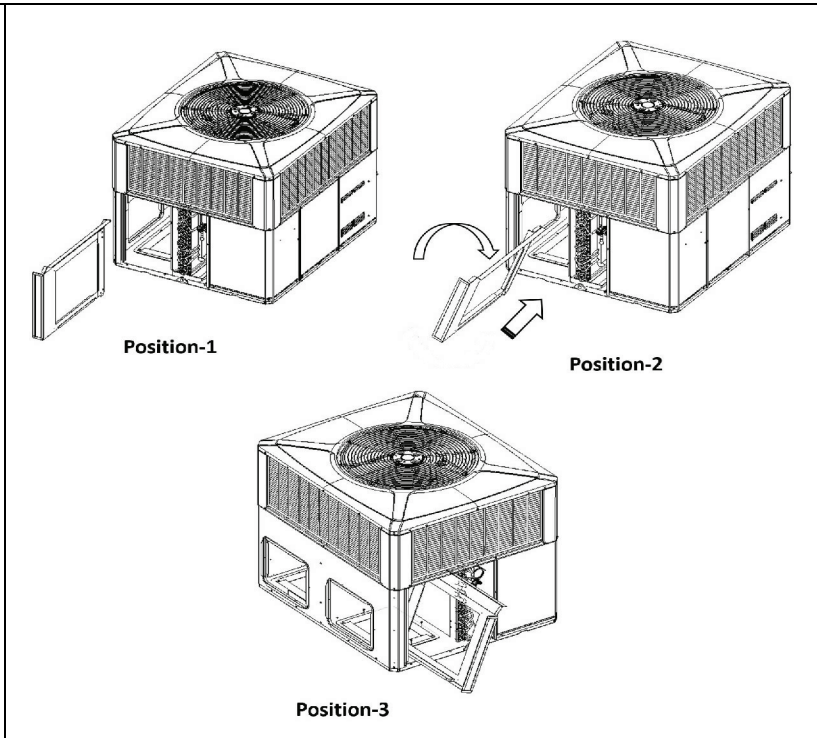
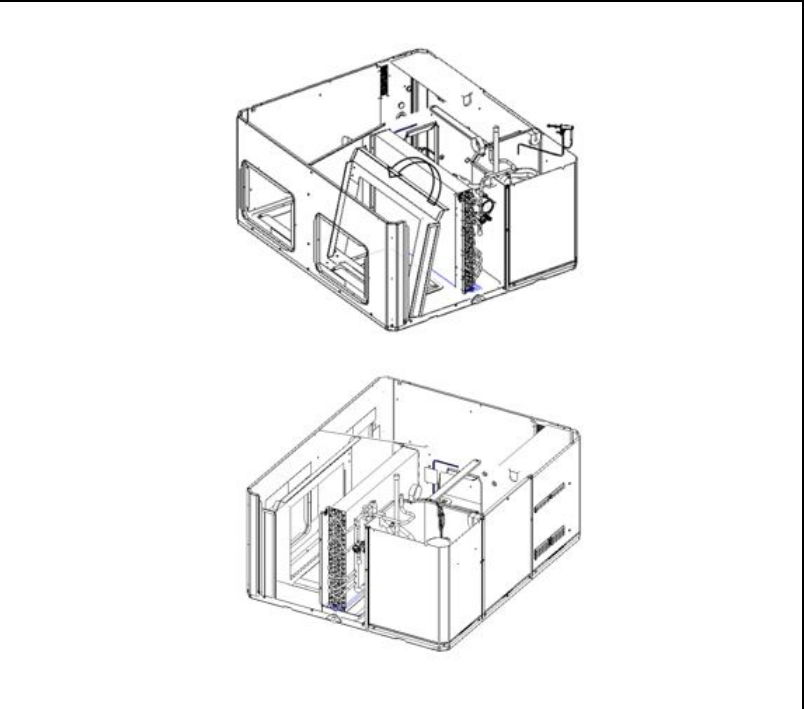


Table 5. Secure Final Bracket Location

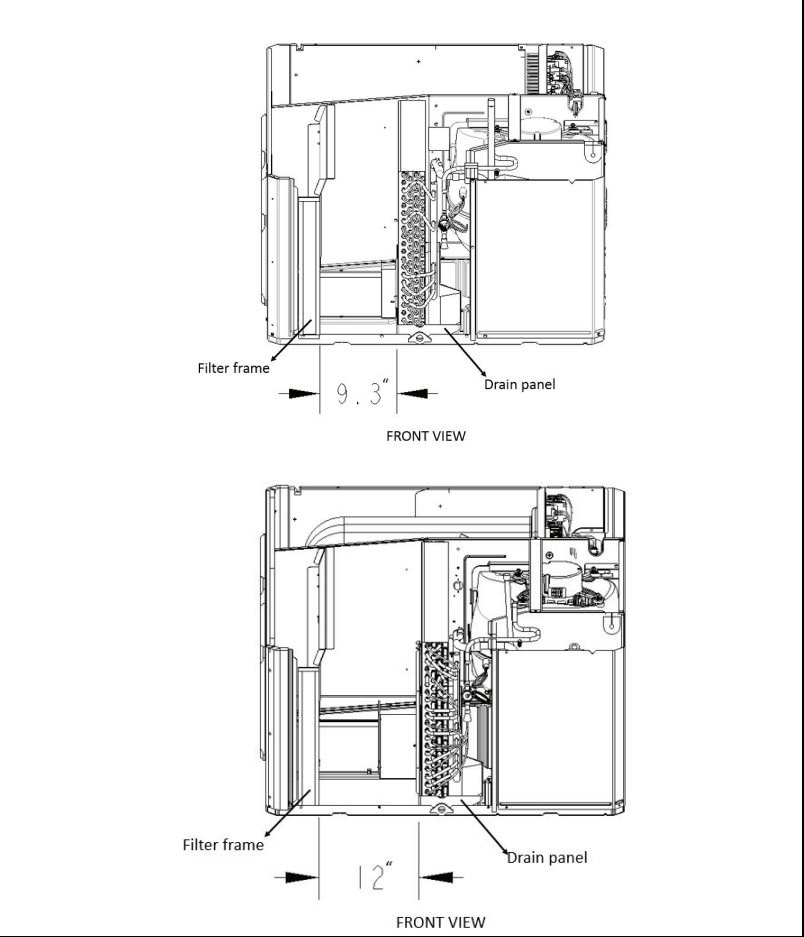
Step 6:
Tilt the bracket straight as shown in the adjacent figure.
Ensure the top bracket and far end are completely compressed to the unit with the side panel and top panel respectively.
Ensure there is NO GAP at top, bottom and sides of the filter rack with the unit.

Note: The unit top has been removed from the images for representation only. Do not remove the top and OD coil to install the filter rack.



Step 7:

- BASE 1 (024 to 036) 9.3"
- BASE 2 (042 to 060) 12"



Rack Preparation and Assembly

Table 6. Dismantle ACCE Filter

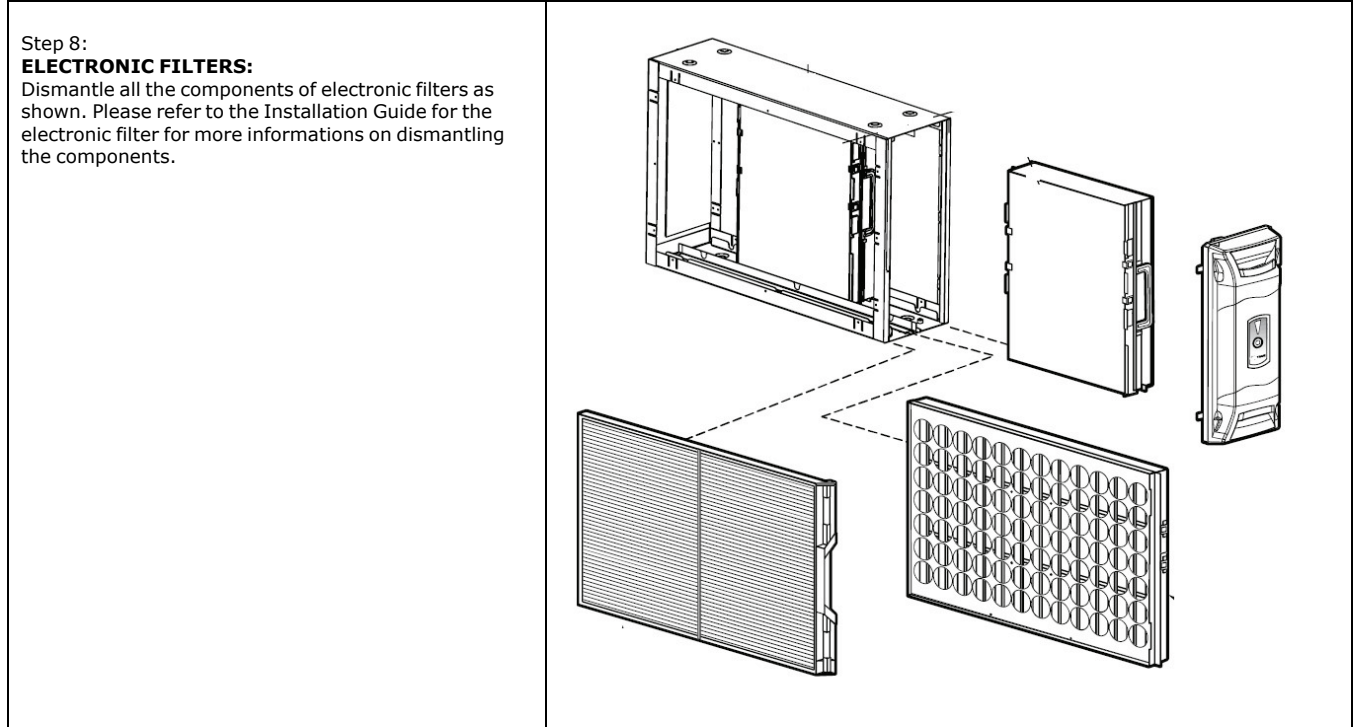


Table 7. Inserting Filter Rack

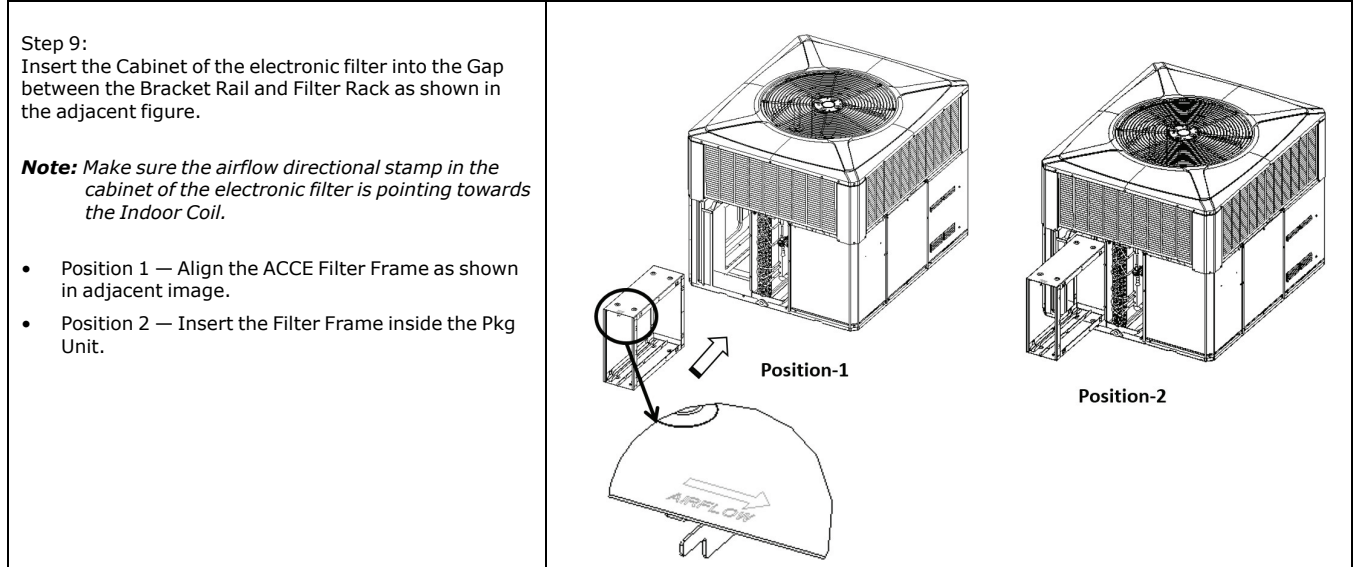


Table 8. ACCE Filter Cabinet Hooking

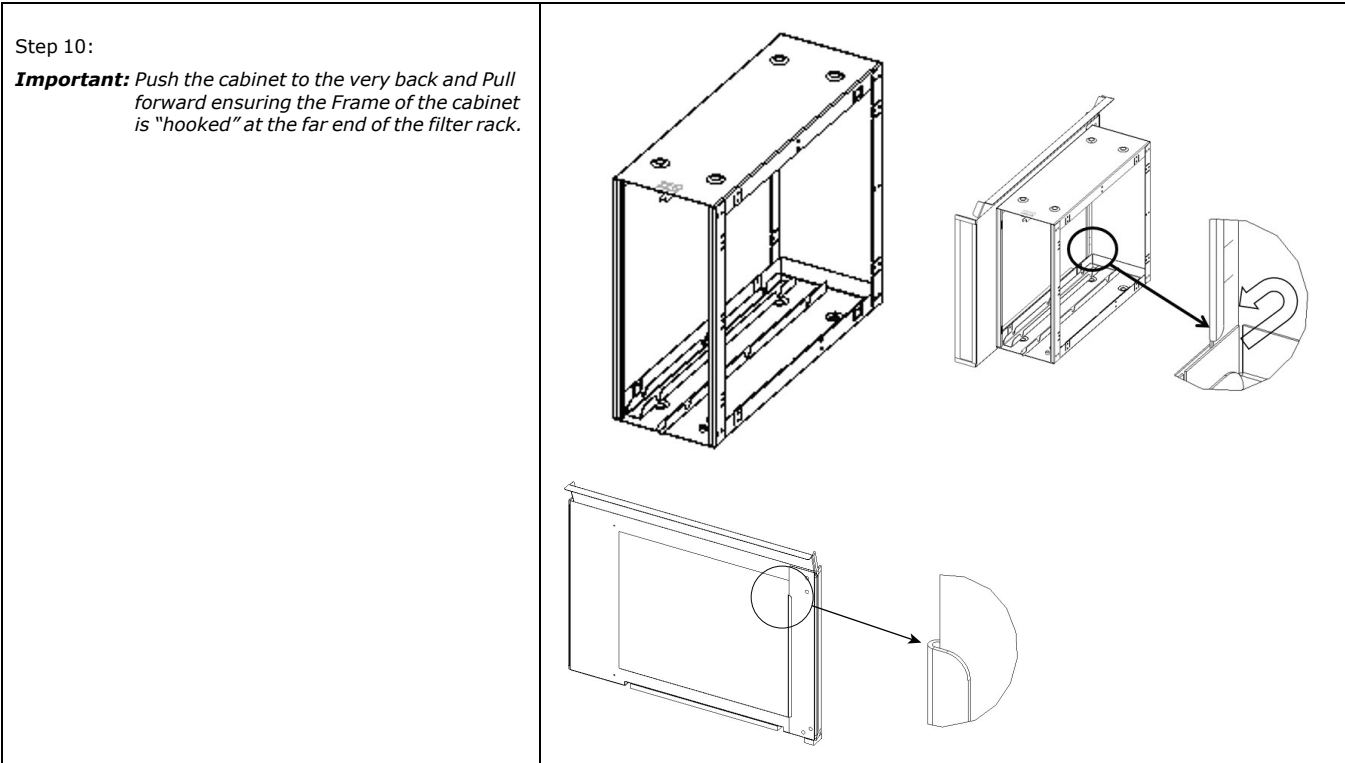
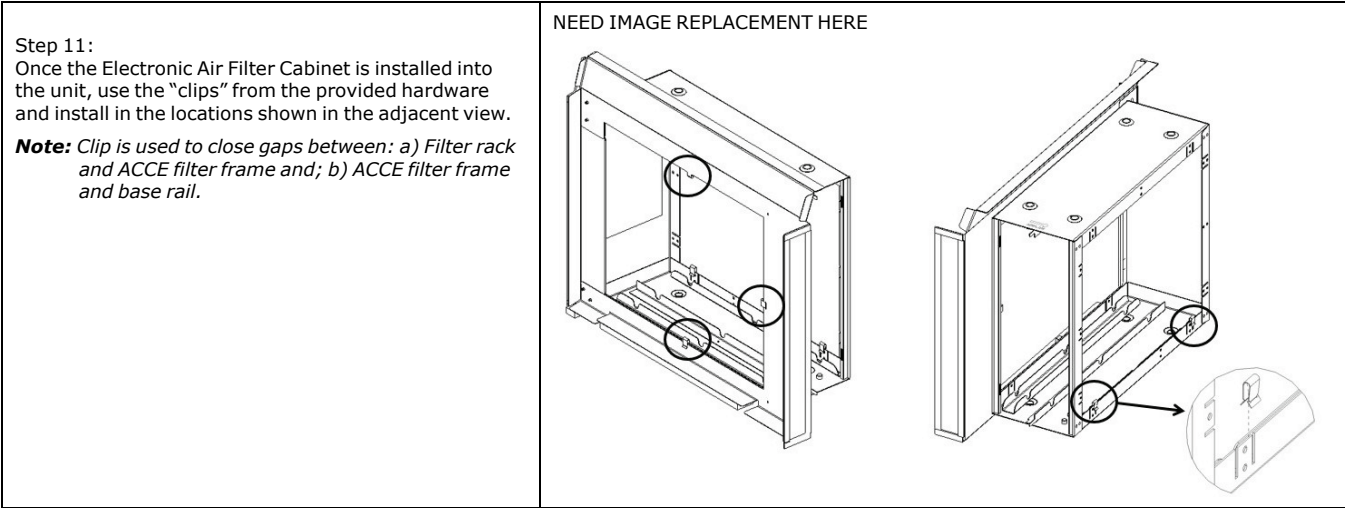


Table 9. Clip Installation



Rack Preparation and Assembly

Table 10. Reinstalling Filter Components

Step 12:
Reinsert the following parts from the coil end into the ACCE filter cabinet.

1. Collection cell
2. Field Charger
3. Pre Filter
4. Power door panel

The Logo in power door panel should be straight in position.

Note: Refer to ACCE Filter manual for more details.

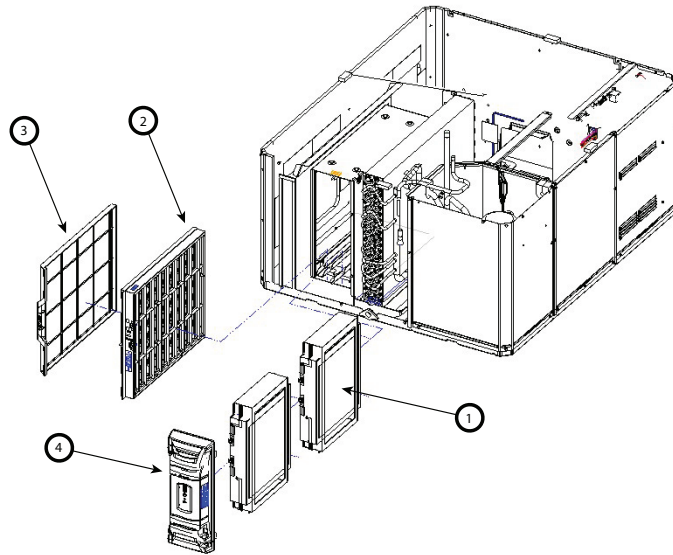
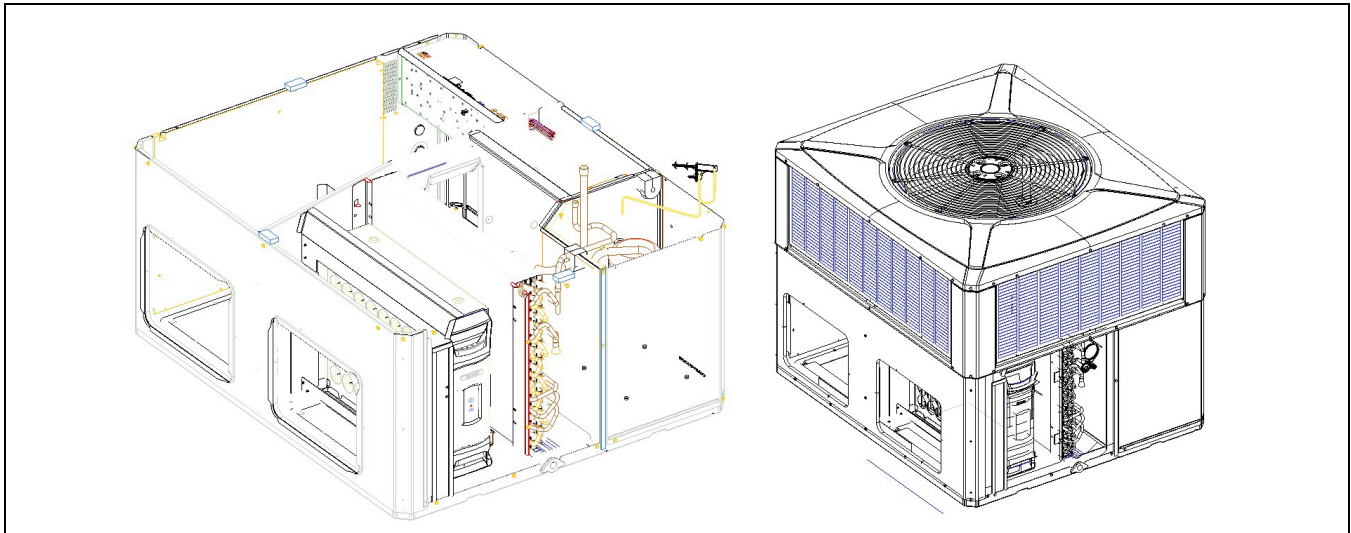


Table 11. Completed Installation



Part B: Electrical Wiring and Connections

Table 12. Electronic Connections

STEP 1:

- Refer the Wiring diagram and connect the terminals accordingly.
- Route the wires as shown in fig and use tie wrap to tie the cables.

STEP 2: Blower section & separator panel

- Place the Wire Router as shown figure.
- Route the Wire through wire router up to the coil section.

STEP 3 : ACCE Filter Section

Route the wire through coil section to the ACCE filter and connect the Cable terminal into the Power door panel terminal at the bottom.

1. Wire Routing after separator panel should be taken through wire router which has to be fixed in the Top panel (before step 3)
2. Route away from coil surface and provide a drip loop in the power harness.
3. Package Unit must use a 75VA Transformer.
 - a) Air cleaner models
*FD175DLAH ship with a 240V, 75VA transformer. Use if needed.
 - b) Air cleaner models
*FD175DLFR ship with a 120V, 50VA transformer; discard and replace with a field provided 240/24V, 75VA UL listed transformer.
4. Use ACCE Filter Wire Harness

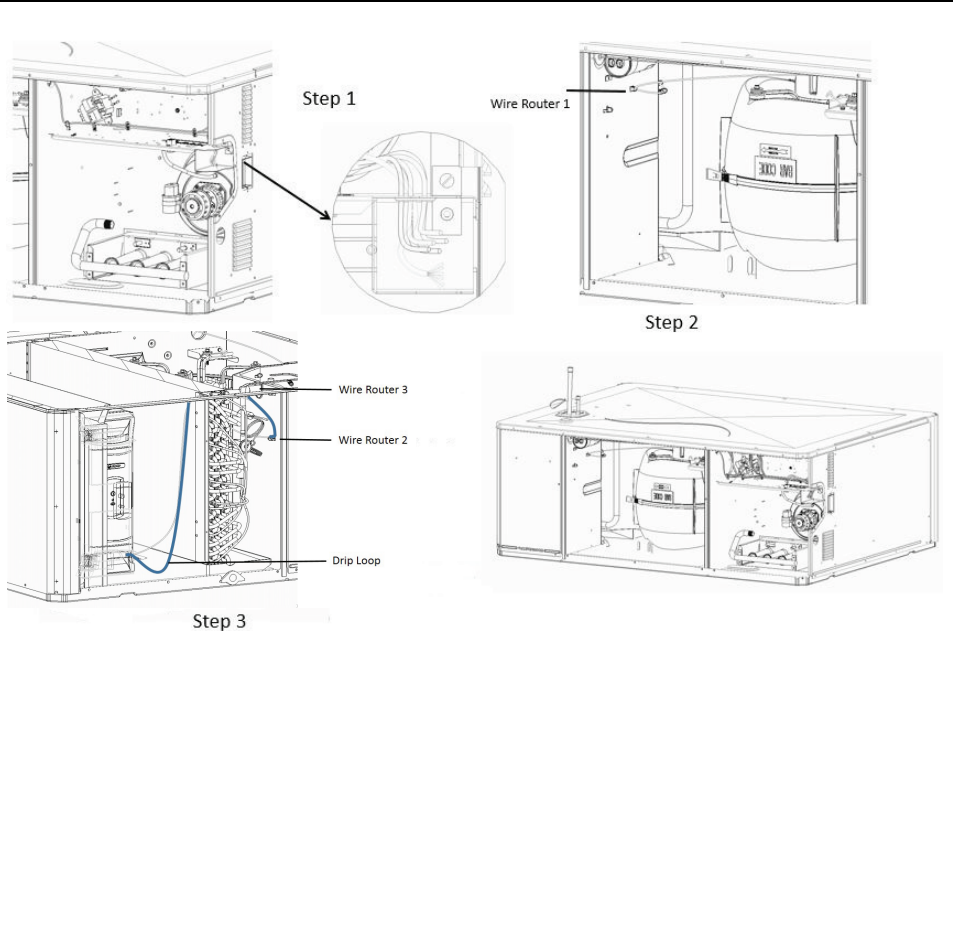


Table 14. Reinstall Unit Panels

Reassemble the blower and control access panels
Install the gasket in the Access Panel or Access Door as shown in the figure

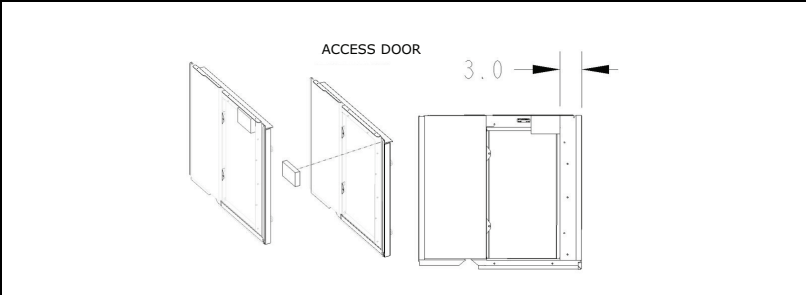
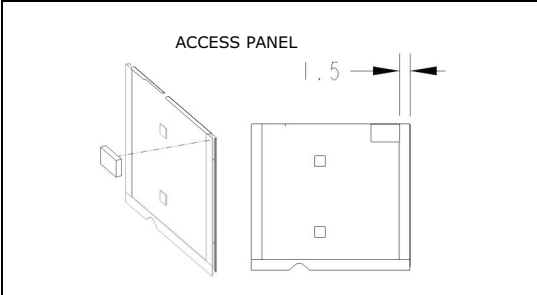
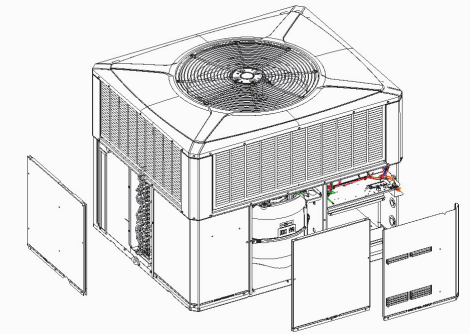
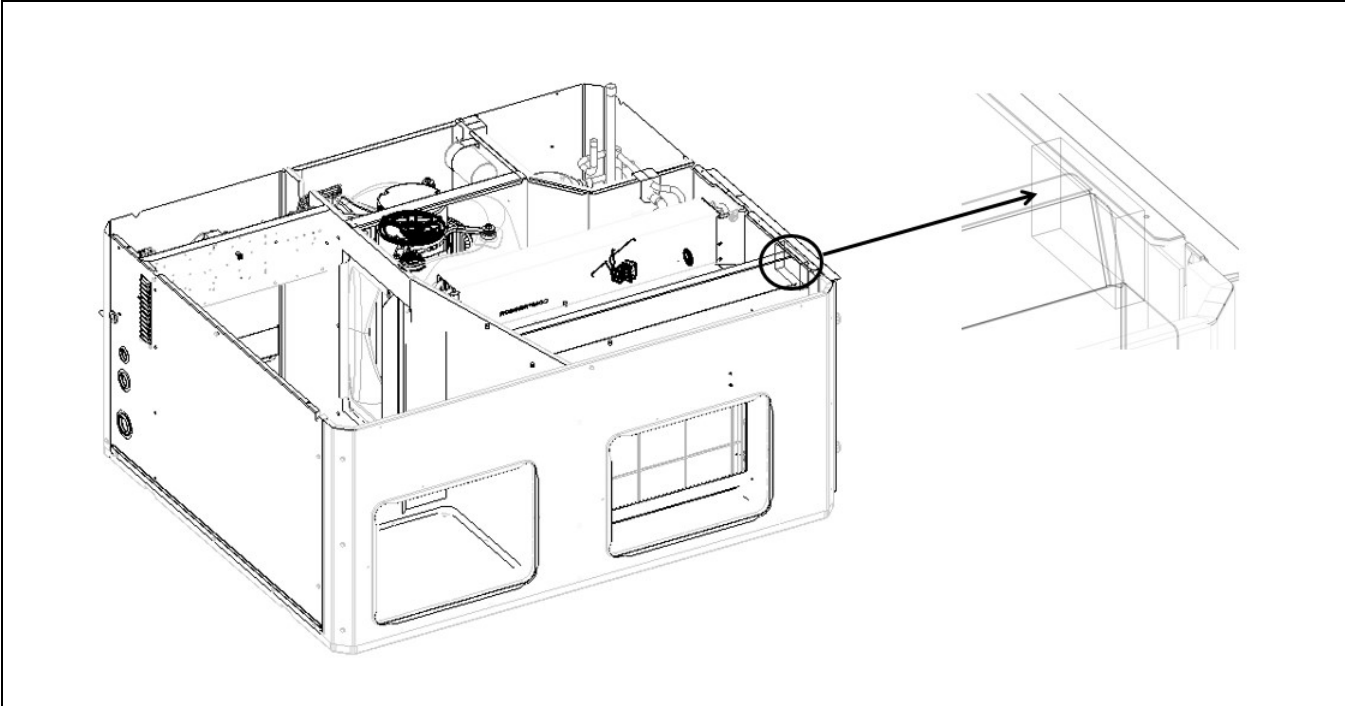


Table 15. Install Gasket – Reinstall Panel doors



Pressure Drop Data

Table 16. Pressure Drop Information with Electronic Filters

| Filter Model # EFD175DLAH000A | | | Kit # BAYACCEADP1A | Filter Model # EFD175DLFR000A | | | Kit # BAYACCEADP2A |
|----------------------------------|---------|--|--------------------|----------------------------------|---------|--|--------------------|
| Tonnage | Airflow | Static Pressure Drop (Inches of WC) | | Tonnage | Airflow | Static Pressure Drop (Inches of WC) | |
| 2.0 | 600 | 0.1 | | 3.5 | 1200 | 0.22 | 0.28 |
| | 800 | 0.15 | | | 1400 | 0.28 | |
| 2.5 | 800 | 0.15 | | 4.0 | 1400 | 0.28 | 0.34 |
| | 1000 | 0.20 | | | 1600 | 0.34 | |
| 3.0 | 1000 | 0.20 | | 5.0 | 1600 | 0.34 | 0.40 |
| | 1200 | 0.27 | | | 1800 | 0.40 | |

Table 17. Pressure Drop Information with 5" Media Filters

| Filter Model # EQBFM175A0FR11 | | | Kit # BAYACCEADP1A | Filter Model # EQBFM17DA0AH11 | | | Kit # BAYACCEADP2A |
|----------------------------------|---------|--|--------------------|----------------------------------|---------|--|--------------------|
| Tonnage | Airflow | Static Pressure Drop (Inches of WC) | | Tonnage | Airflow | Static Pressure Drop (Inches of WC) | |
| 2.0 | 600 | 0.04 | | 3.5 | 1200 | 0.14 | 0.19 |
| | 800 | 0.07 | | | 1400 | 0.19 | |
| 2.5 | 800 | 0.07 | | 4.0 | 1400 | 0.19 | 0.24 |
| | 1000 | 0.10 | | | 1600 | 0.24 | |
| 3.0 | 1000 | 0.10 | | 5.0 | 1600 | 0.24 | 0.31 |
| | 1200 | 0.15 | | | 1800 | 0.31 | |

About Trane and American Standard Heating and Air Conditioning

Trane and American Standard create comfortable, energy efficient indoor environments for residential applications. For more information, please visit www.trane.com or www.americanstandardair.com.

The manufacturer has a policy of continuous data improvement and it reserves the right to change design and specifications without notice. We are committed to using environmentally conscious print practices.