

INSTALLER'S GUIDE

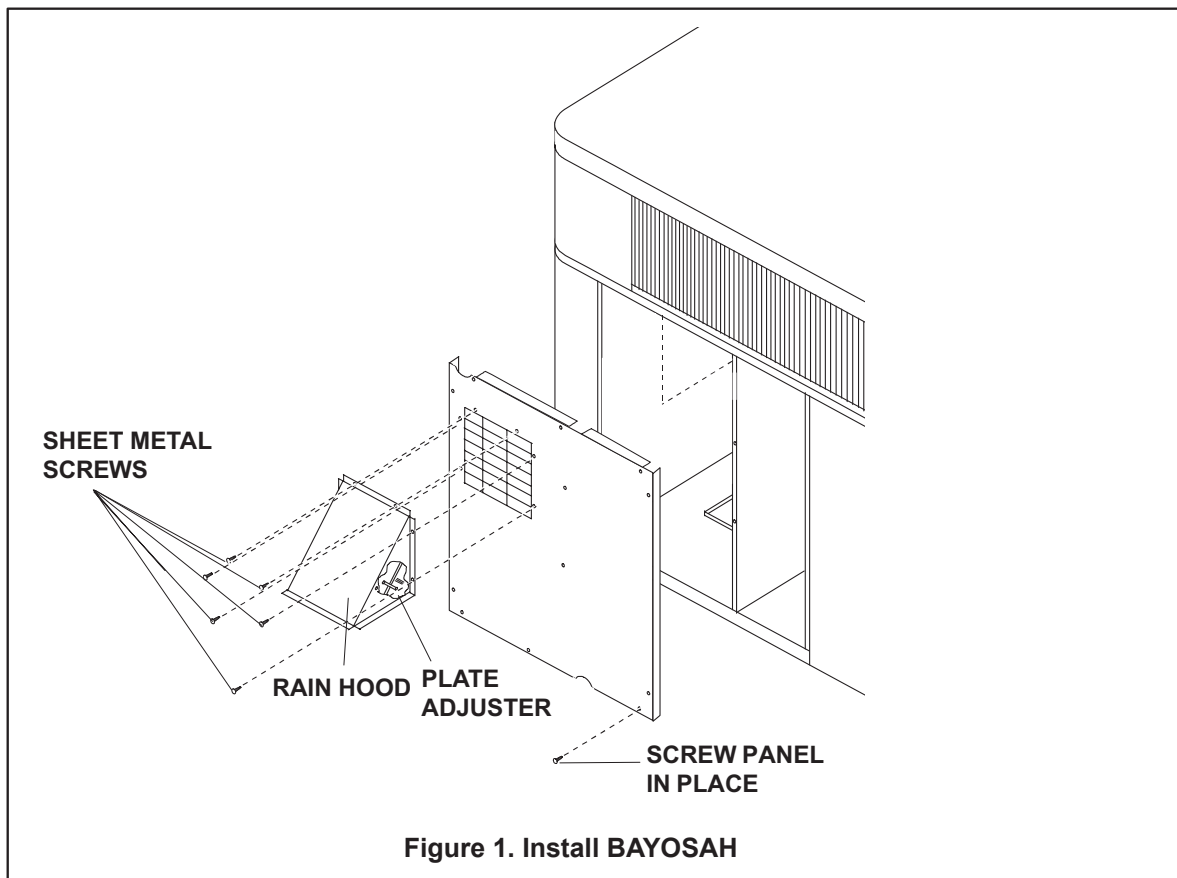
18-HE39D7-3C-EN

ALL phases of this installation must comply with NATIONAL, STATE, AND LOCAL CODES

Models:	Used With:	25% Manual Fresh Air Kit
BAYOSAH001	A5PA*, A5PG*, A5PH*, *DC**, *TC**, *WC**, *YC**018-036	
BAYOSAH002	A5PA*, A5PG*, A5PH*, *DC**, *TC**, *WC**, *YC**042-060	

Note: * indicates an alphanumeric character.

IMPORTANT - This document is customer property and is to remain with this unit. Please return to service information pack upon completion of work.



A. GENERAL

These instructions do not purport to cover all variations in systems nor provide for every possible contingency to be met in connection with installation. Should further information be desired or should particular problems arise which are not covered sufficiently for the purchaser's purposes, the matter should be referred to the manufacturer.

Check for transportation damage after kit is unboxed. Report promptly, to the carrier, any damage found to kit.

INSTALLER'S GUIDE

INSTALLATION:

1. Remove the horizontal return air panel shipped on the HVAC unit. Discard.
2. Place screened panel from kit over horizontal return air opening and secure with sheet metal screws as shown in Figure 1.
3. Place gasketing (1/8" thick) on three (3) perimeter flanges of rain hood.
4. Place rain hood from kit to screened panel and secure with sheet metal screws as shown in Figure 1.
5. The fresh air kit has four (4) adjustment positions as shown in Figure 2.
6. There is a spring loaded plate adjuster for positioning for desired amount of outdoor air to be brought in. See Figure 1.

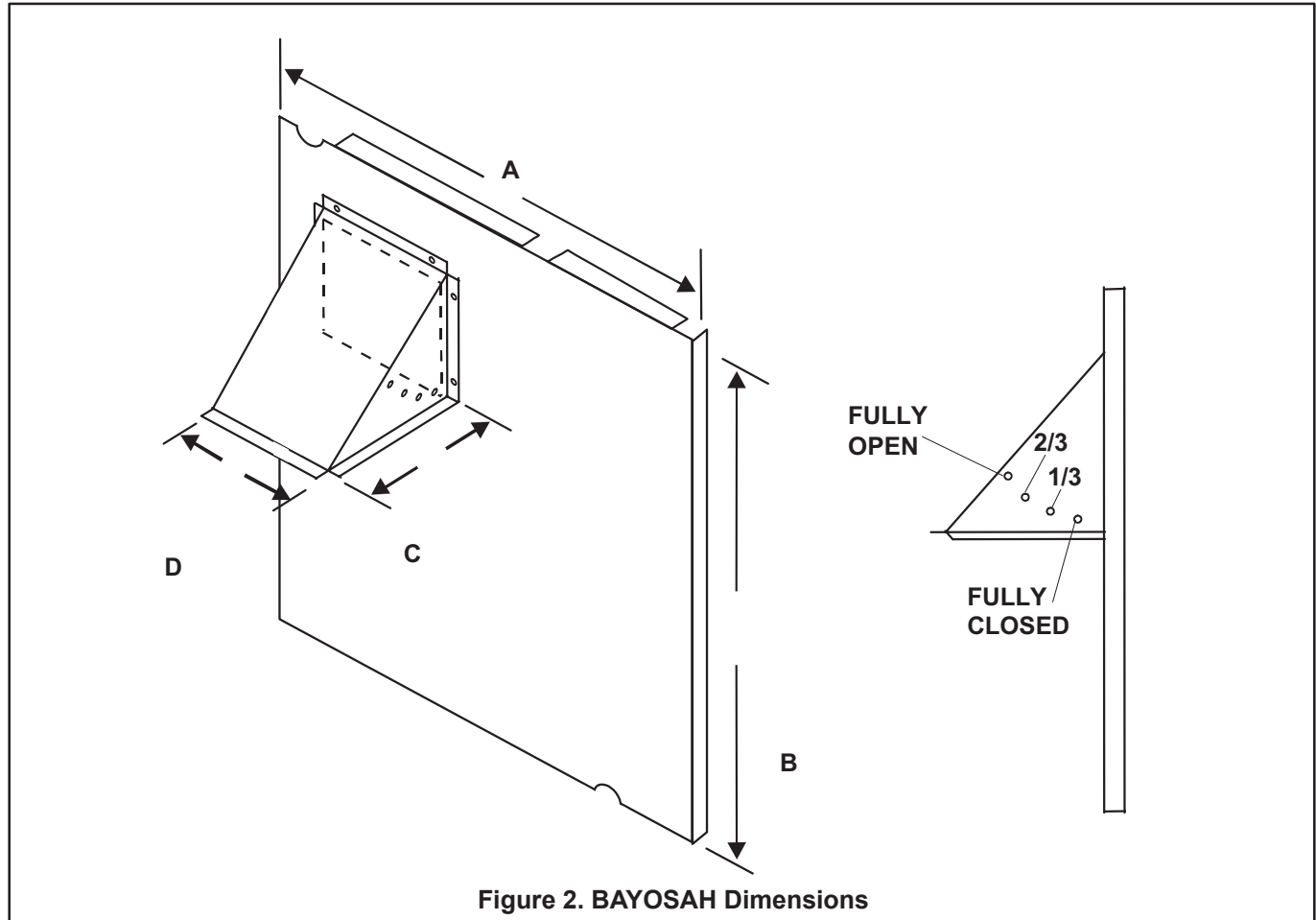


Figure 2. BAYOSAH Dimensions

Table 1. BAYOSAH Dimensions

Manual Fresh Air Model	Unit Application Models	A	B	C	D
BAYOSAH001	A5PA*, A5PG*, A5PH*, *DC**, *TC**, *WC**, *YC**018-036	22 7/16"	20 11/16"	12 3/8"	9 3/16"
BAYOSAH002	A5PA*, A5PG*, A5PH*, *DC**, *TC**, *WC**, *YC**042-060	25 3/16"	20 11/16"	12 3/8"	9 3/16"

About Trane and American Standard Heating and Air Conditioning

Trane and American Standard create comfortable, energy efficient indoor environments for residential applications. For more information, please visit www.trane.com or www.americanstandardair.com

The manufacturer has a policy of continuous data improvement and it reserves the right to change design and specifications without notice. We are committed to using environmentally conscious print practices.