

Installer's Guide

Motorized 2-Position Outside Air Damper

BAYDMPR101

USED WITH:

DC, *TC*, *WC*, *YC**018-036

BAYDMPR102

USED WITH:

DC, *TC*, *WC*, *YC**042-060

ALL phases of this installation must comply with NATIONAL, STATE, AND LOCAL CODES.

Important: *This document is customer property and is to remain with this unit. Please return to service information pack upon completion of work.*

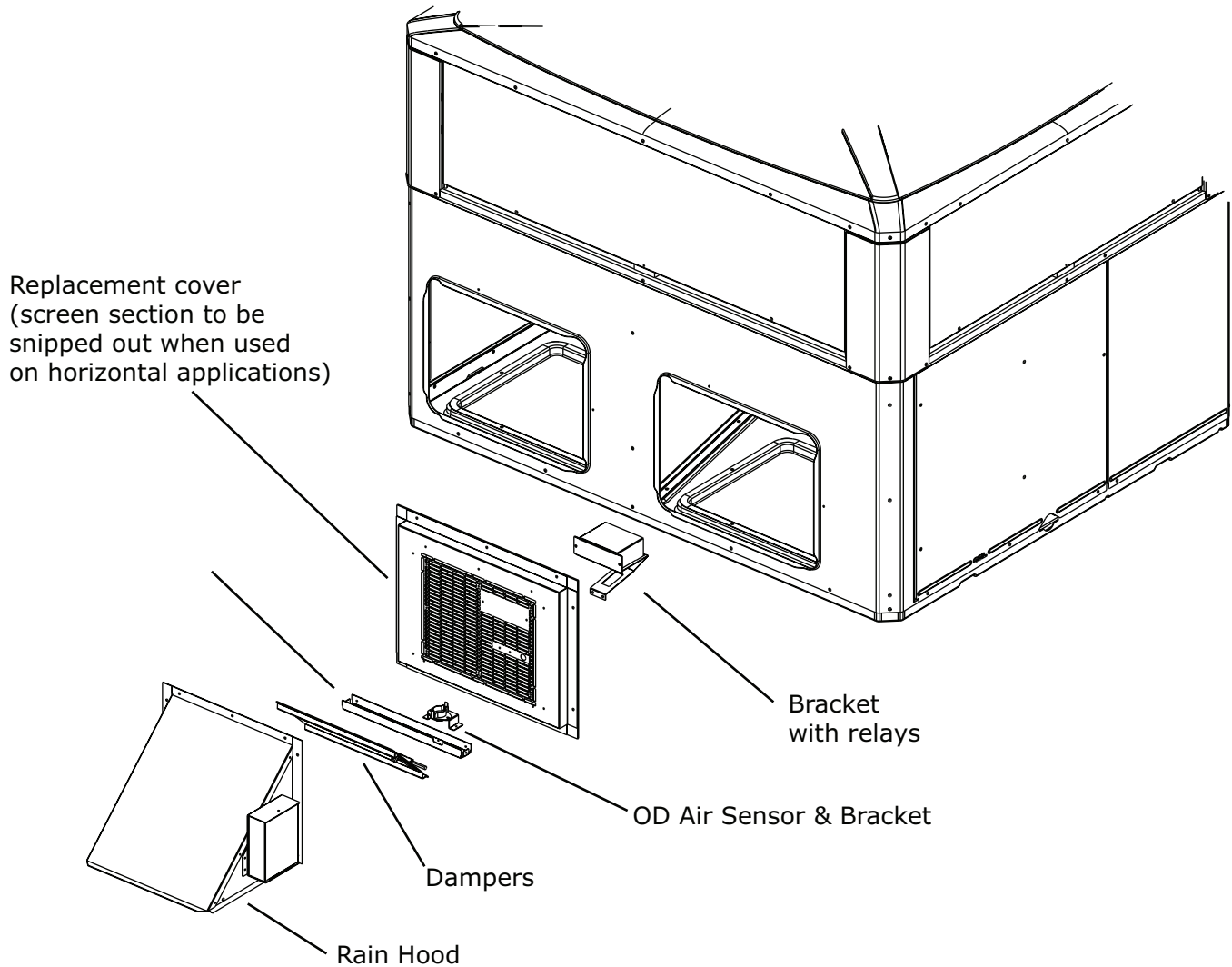
Note: * indicates an alpha character.

SAFETY WARNING

Only qualified personnel should install and service the equipment. The installation, starting up, and servicing of heating, ventilating, and air-conditioning equipment can be hazardous and requires specific knowledge and training. Improperly installed, adjusted or altered equipment by an unqualified person could result in death or serious injury. When working on the equipment, observe all precautions in the literature and on the tags, stickers, and labels that are attached to the equipment.

General Data

Figure 1. Motorized 2-Position Outside Air (OSA) Damper Assembly



⚠ WARNING

HAZARDOUS VOLTAGE!

Failure to follow this Warning could result in property damage, severe personal injury, or death.

Disconnect all electric power, including remote disconnects before servicing. Follow proper lockout/tagout procedures to ensure the power cannot be inadvertently energized.

⚠ WARNING

INSTALLATION WARNING – HIGH VOLTAGE MOVING PARTS!

Failure to follow this Warning could result in property damage, severe personal injury, or death.

Bodily injury can result from high voltage electrical components, fast moving fans, and combustible gas. For protection from these inherent hazards during installation and servicing, the main gas valve must be turned off and the electrical supply must be disconnected. If operating checks must be performed with the unit operating, it is the technician's responsibility to recognize these hazards and proceed safely.

Important: The Economizer installation requires that you first install an air filter rack order separately. USE:

BAYFLTR101 for *DC*, *TC*, *WC*, *YC**018-036 or

BAYFLTR102 for *DC*, *TC*, *WC*, *YC**042-060

GENERAL

Note: To avoid possible condensing of combustion flue products (when applied to a Gas/Electric model), this accessory has been designed to allow approximately 50°F, or above, outside air through the damper system to ensure that the required 95°F supply air is maintained. See dimensional data graphic.

INSPECTION

1. Unpack all components of the motorized 2-position outside air (OSA) damper assembly.
2. Check carefully that the installation kit is complete and all required parts are in good condition prior to installation. If any shipping damage is noted, this must be reported immediately and a claim made against the transportation company.

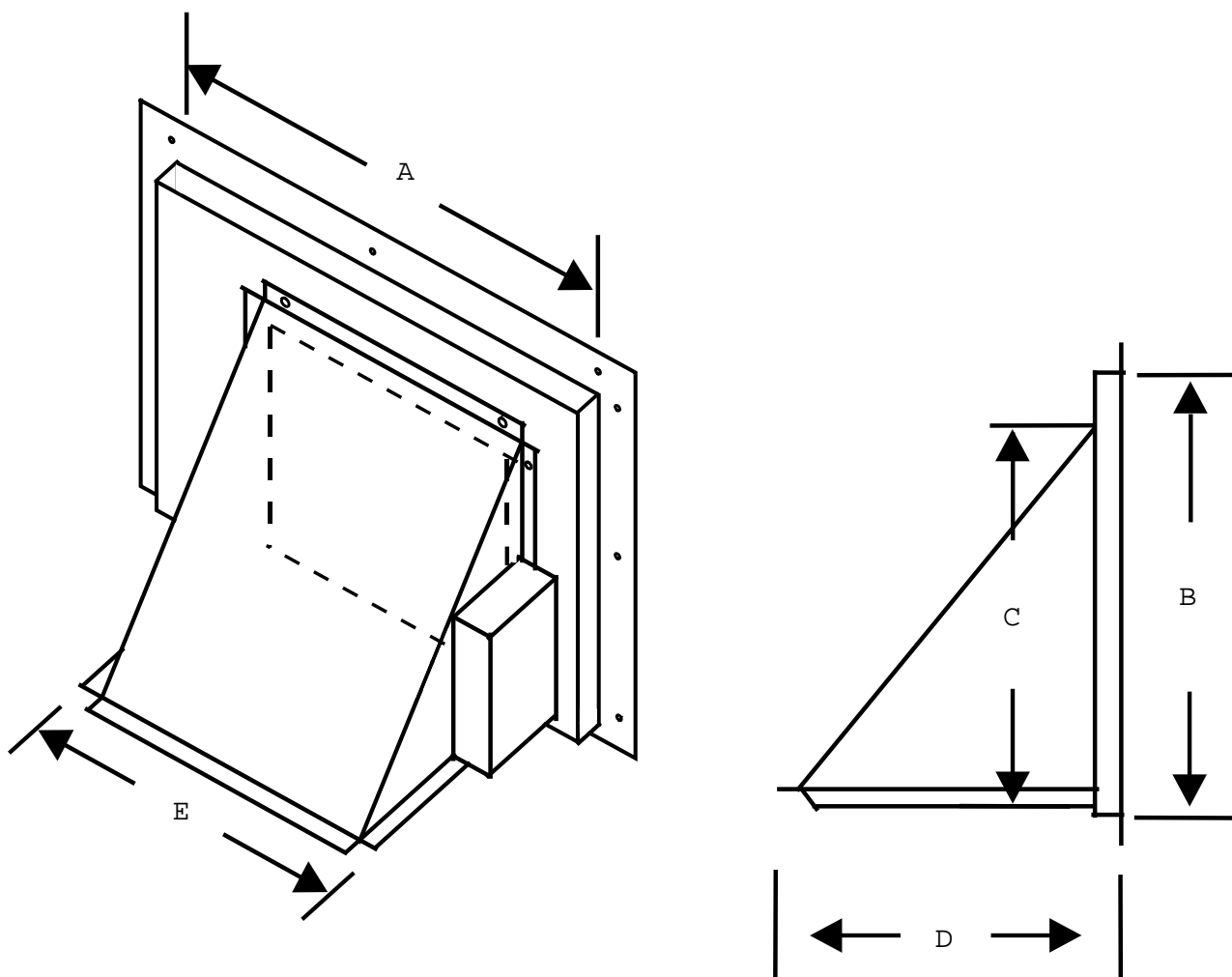


Table 1. Dimensional Data

Model	Unit Application Model	A	B	C	D
BAYDMPR101	*DC*, *TC*, *WC*, *YC**018-036	15-13/16"	11-13/16"	10-1/4"	12-1/4"
BAYDMPR102	*DC*, *TC*, *WC*, *YC**042-060	18-3/16"	15-1/8"	10-1/4"	12-1/4"

Installation

1. Turn the comfort control OFF.
2. Open the unit's electrical disconnect switch.
3. Remove the unit filter access and control box access panels.
4. Installing accessory:
 - a. For **Downflow** applications, remove and discard the panel covering the return air opening. Install hood and replacement panel assembly to horizontal return opening using screws. See [Figure 2, p. 4](#)
 - b. For **Horizontal** applications, remove the screened section off of the supplied replacement panel. Using the cutout on the replacement panel as a template, mark and cut hole into field supplied return air duct. discard replacement panel. Install screen and hood assembly. See [Figure 3, p. 5](#).
5. Wire per the wiring diagram (see [Figure 4, p. 5](#)) to prevent shorting. Route all wiring from the damper assembly through the indoor coils flashing grommet. Dress the wiring with the supplied wire ties to prevent wiring from interfering with any system component or sheet metal edges. See [Figure 5, p. 6](#).
6. Replace the filter, indoor blower and control box access panels.
7. Restore power to the unit.
8. Initiate indoor blower operation through a thermostat "G" call and verify motorized outside air dampers fully open. Discontinue call and verify damper assembly closes completely. Initiate a "W" call and verify that the motorized outside air dampers function properly (i.e. at approx. 45°F the damper will not open; at approx. 60°F the damper should open).

Figure 2. Downflow Application

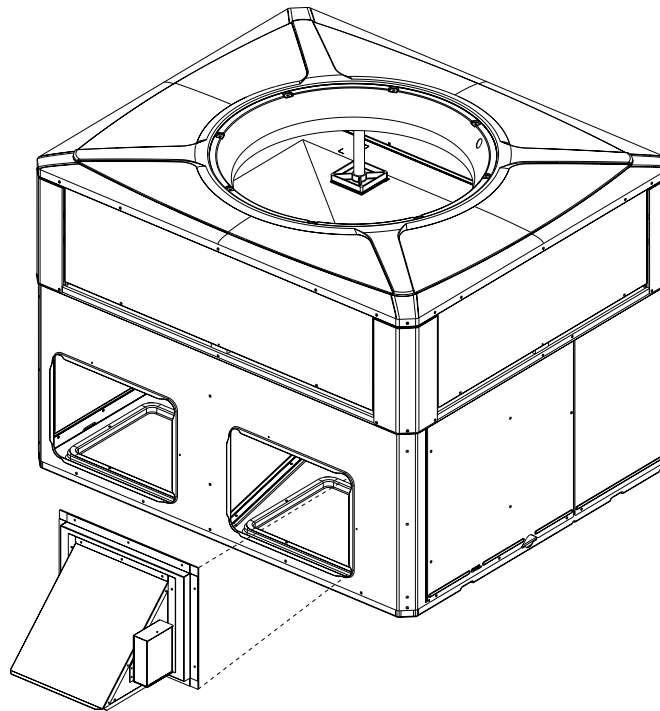


Figure 3. Horizontal Application

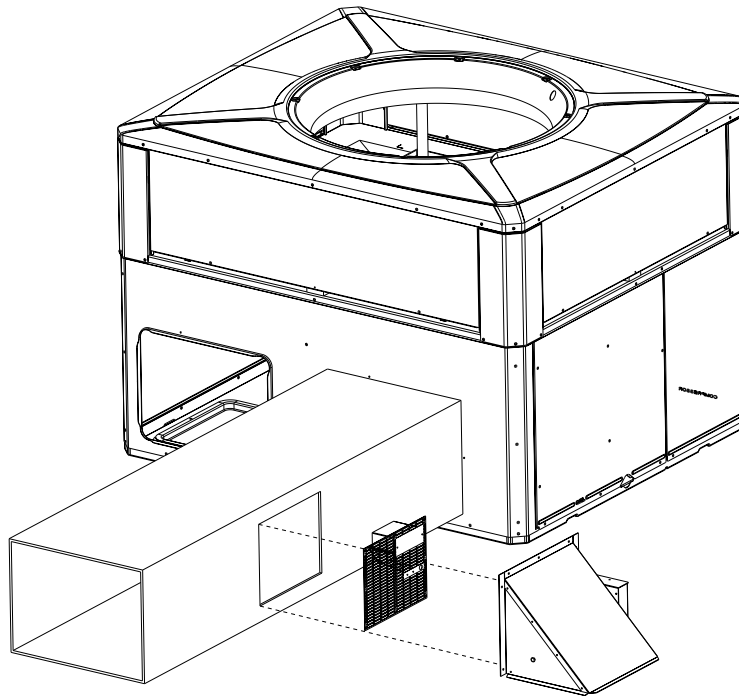


Figure 4. Hookup Diagram

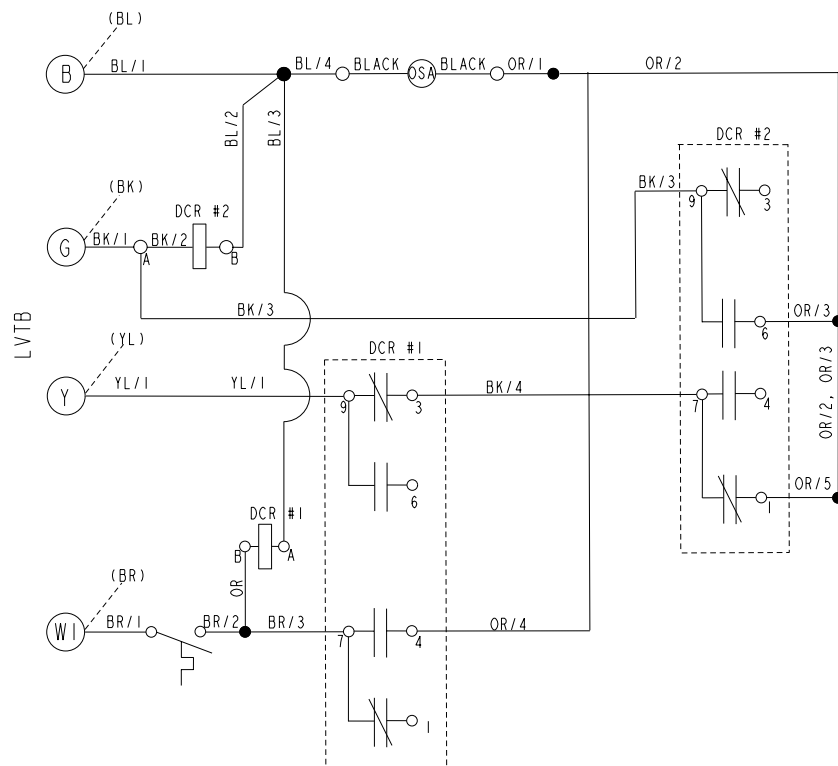
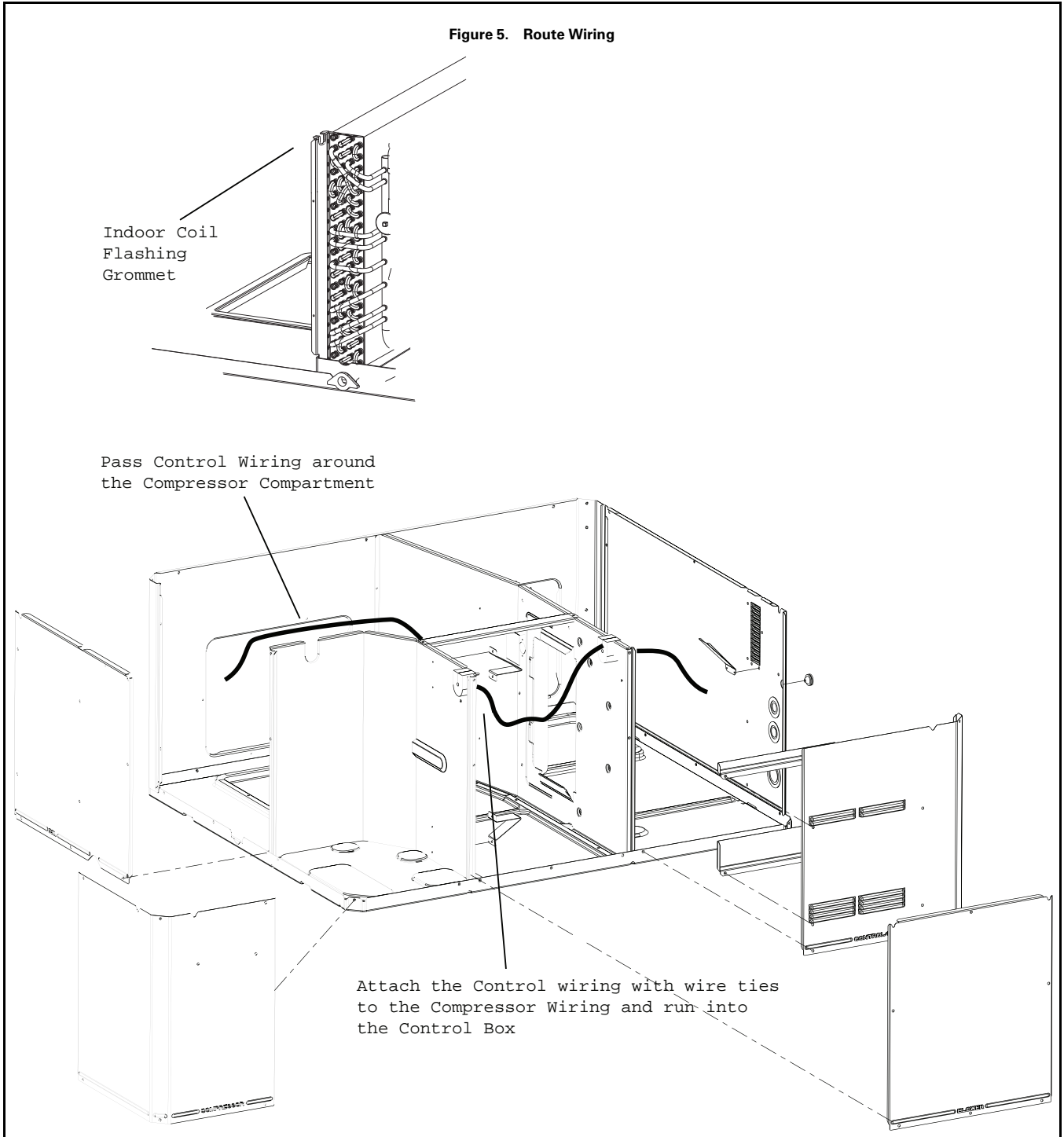


Figure 5. Route Wiring

Indoor Coil
Flashing
Grommet

Pass Control Wiring around
the Compressor Compartment

Attach the Control wiring with wire ties
to the Compressor Wiring and run into
the Control Box



About Trane and American Standard Heating and Air Conditioning

Trane and American Standard create comfortable, energy efficient indoor environments for residential applications. For more information, please visit www.trane.com or www.americanstandardair.com.

The manufacturer has a policy of continuous data improvement and it reserves the right to change design and specifications without notice. We are committed to using environmentally conscious print practices.