

# Installer's Guide

## Through the Base Utilities Curb Extension

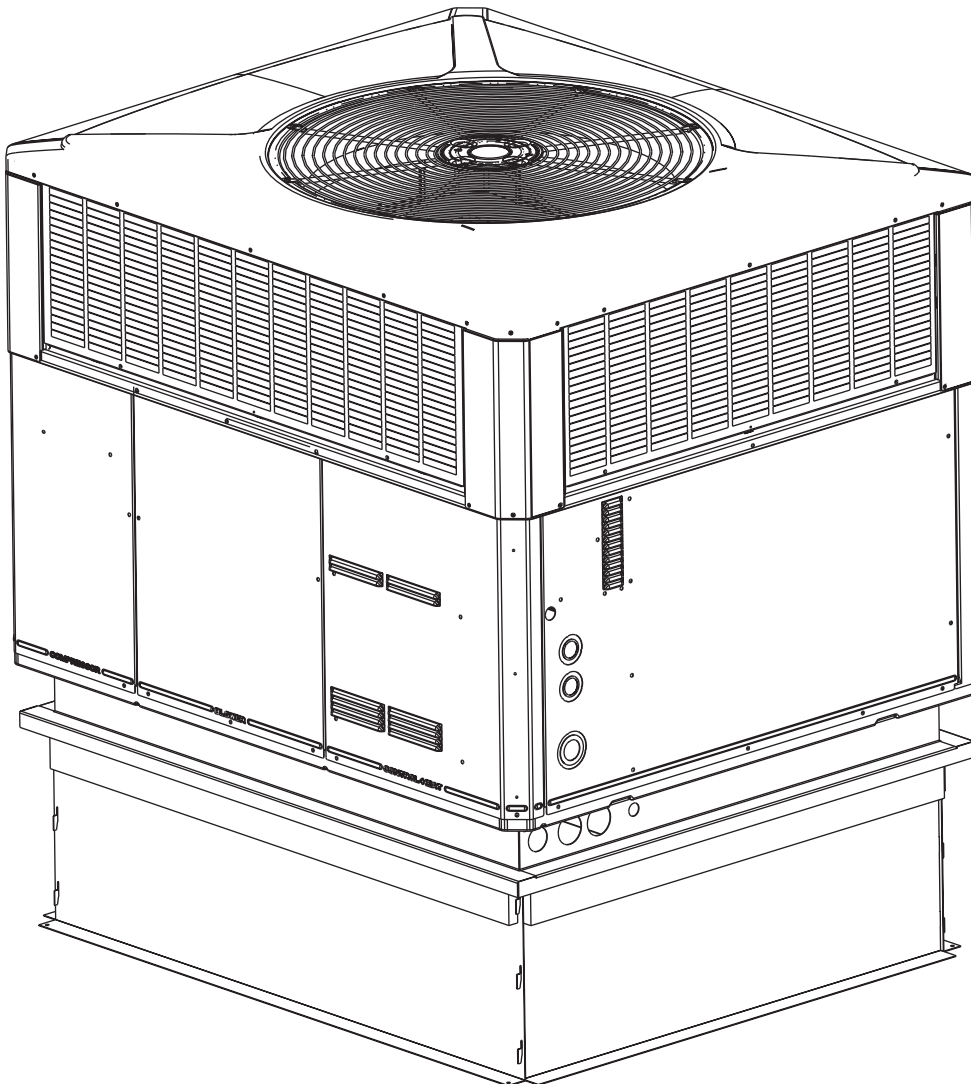
---

Model:  
BAYUTIL101  
BAYUTIL102

Used with:  
BAYCURB050  
BAYCURB051

---

### Typical Rooftop Installation



# Installer's Guide

## General

This Installer's Guide covers the through the curb utilities extensions listed for the 1-1/2 thru 5 ton only single packaged units.

The BAYUTIL Utilities Extension is designed to provide access within the curb for the electrical power, low voltage control, gas piping, and condensate drain connections when the single packaged unit is mounted on its matching full perimeter curb. The unit must have the appropriate full perimeter curb (BAYCURB 050 or 051) selected for the matching (BAYUTIL 101 or 102) extension. The Extension provides the duct supports for the supply and return duct connections.

The BAYUTIL through the curb utilities extension is mounted on top of its matching full perimeter curb. Remove the three (3) duct support pieces from the curb, only use the duct support provided with the BAYUTIL. See page 3.

For instructions related to the Roof Mounting Curb, refer to the instructions provided with the curb.

For instructions related to the Single Packaged Unit, refer to the instructions provided with the unit.

**NOTE:** The roof mounting curb (frame) not only provides support for the unit, but permits easy penetration of the roof for the connecting ductwork. The roof mounting curb provides for proper flashing and sealing by the roofing contractor as approved by National Roofing Contractors Association

## Installation

**These instructions do not purport to cover all variations in systems nor to provide for every possible contingency to be met in connection with installation.** Should further information be required or should particular problems arise which are not covered sufficiently for the purchaser's purposes, the matter should be referred to the manufacturer.

Check for transportation damage after the utility curb is uncrated. Report promptly, to the carrier, any damage found to the utility curb.

Install and seal the BAYCURB Roof Mounting Curb per the instructions included with the curb, including the P.V.C. rubber gasketing materials, to provide a water tight seal to the Utility Extension.

**EXCEPTION:** Do not install curb's duct supports. You will use duct supports provided with the utility extension curb. Mount the Utility Extension on top of the Roof Mounting Curb.

Field fabricated ducts are to be installed from above Utility Extension, and should be installed at this time. See Figures 2 and 3 for illustrations.

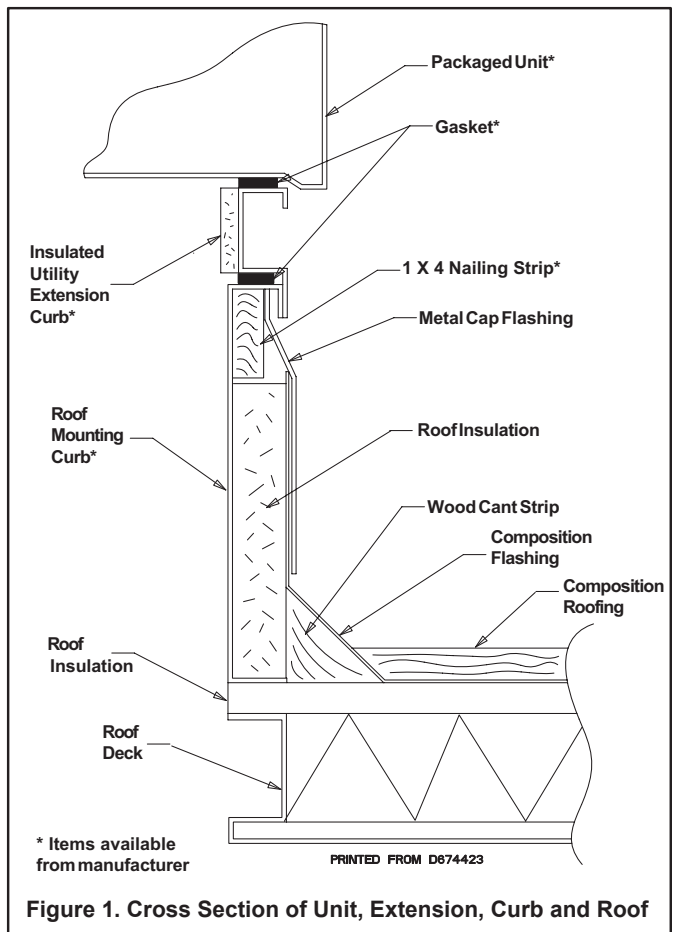
P.V.C. tape is to be applied to extension as shown, prior to setting the unit. P.V.C. rubber tape (supplied with the curb and extension) must be applied in continuous strips overlapped 1" minimum for a complete watertight seal.

The two (2) Hold Down Brackets (packed with the extension) are used to secure the unit to the roof curb, see Figure 5 (page 5). Each bracket is secured with four (4) screws, one (1) existing on the unit, the other three (3) shipped with the extension.

## Application

Knockouts are provided for the condensate drain and the gas piping connections, extra rubber bushings are packed in the literature bag.

The low voltage electrical opening is are provided with a rubber bushing installed.



## Field Fabricated (side X side) Ducts Installed From Above Utility Extension Curb

Lower Field Fabricated Ducts into position on Duct Supports. See Figures 2 and 3. Make assembly secure with sheet metal screws. See Figure 3.

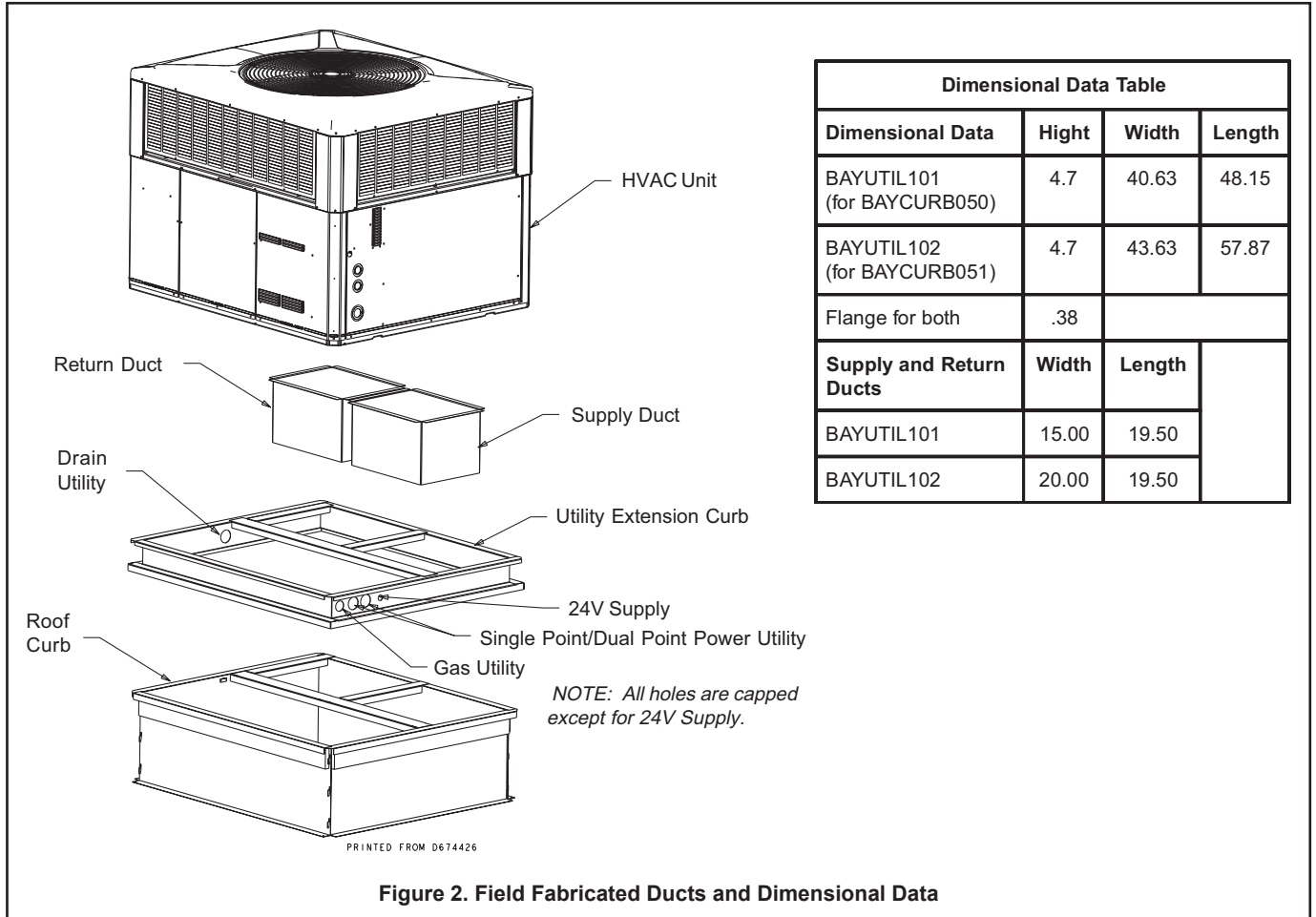


Figure 2. Field Fabricated Ducts and Dimensional Data

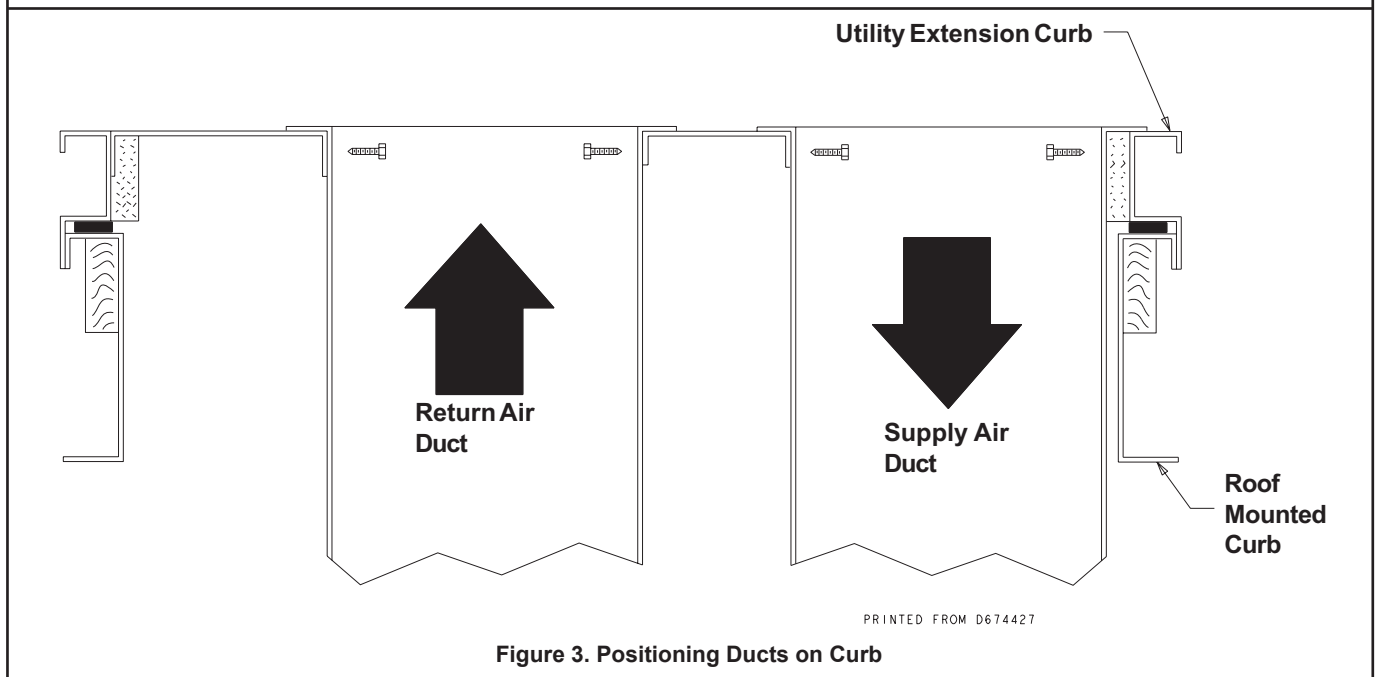
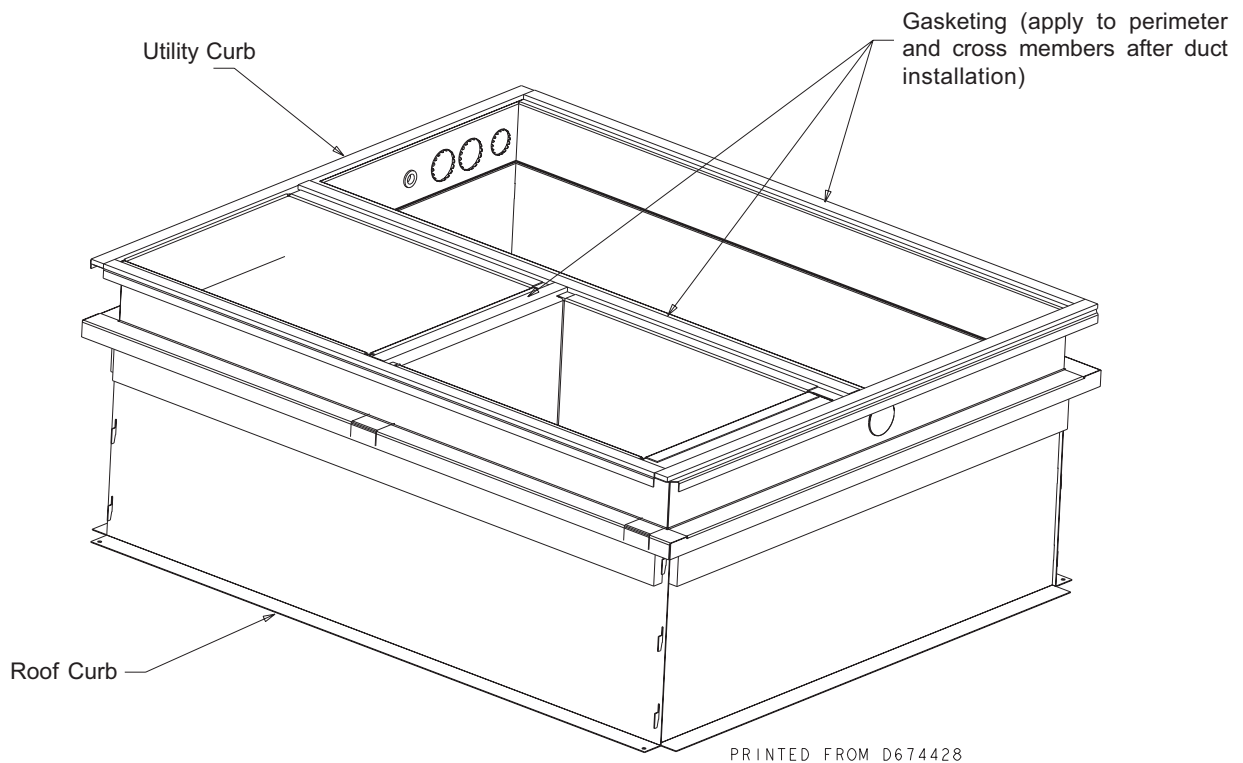


Figure 3. Positioning Ducts on Curb

## P.V.C. Rubber Gasket Position on the BAYUTIL-- Extension for Unit Placement

1. Place the 1-1/2" x 1/2" P.V.C. rubber tape (gasket) on mounting curb as illustrated in Figure 4. P.V.C. tape to be applied to curb as shown after installation of field installed supply and return ducts and just prior to setting unit on mounting curb.
2. P.V.C. rubber tape (supplied with curb) must be applied in continuous strips of overlapped 1" minimum for complete watertight seal.



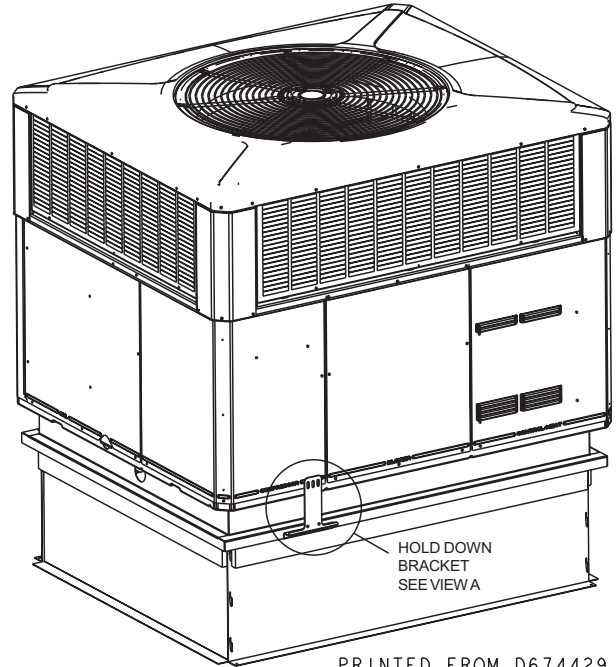
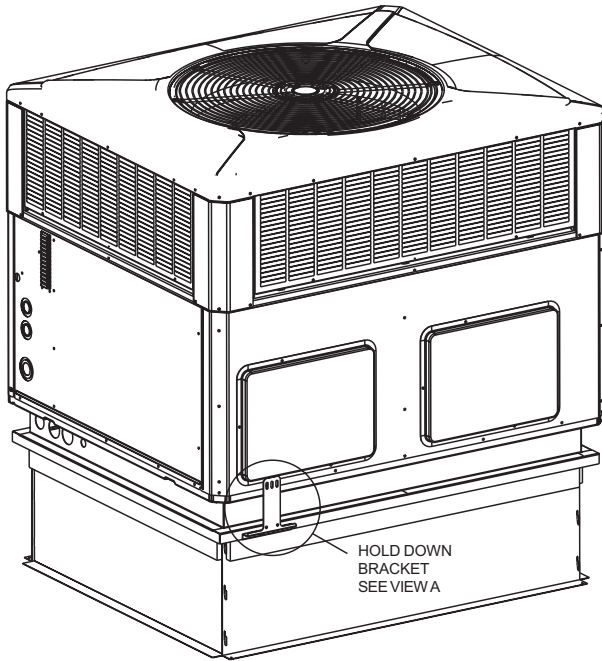
### NOTES:

1. OVERLAP AND POSITION JOINTS IN P.V.C. RUBBER GASKET.
2. AIR SEALS - APPLY P.V.C. RUBBER LAST TO INSURE THERE IS ADEQUATE P.V.C. FOR WATER SEAL.
3. USE TYPICAL SEALING METHODS TO PREVENT AIR DUCT LEAKAGE AT CURB-DUCT JOINT

Figure 4. Applying P.V.C. Rubber Tape Gasketing

## Hold Down Brackets Position on the BAYUTIL-- Extension for Unit Placement

The 2 Hold Down Brackets (packed with the extension) are used to secure the unit to the roof curb.



PRINTED FROM D674429

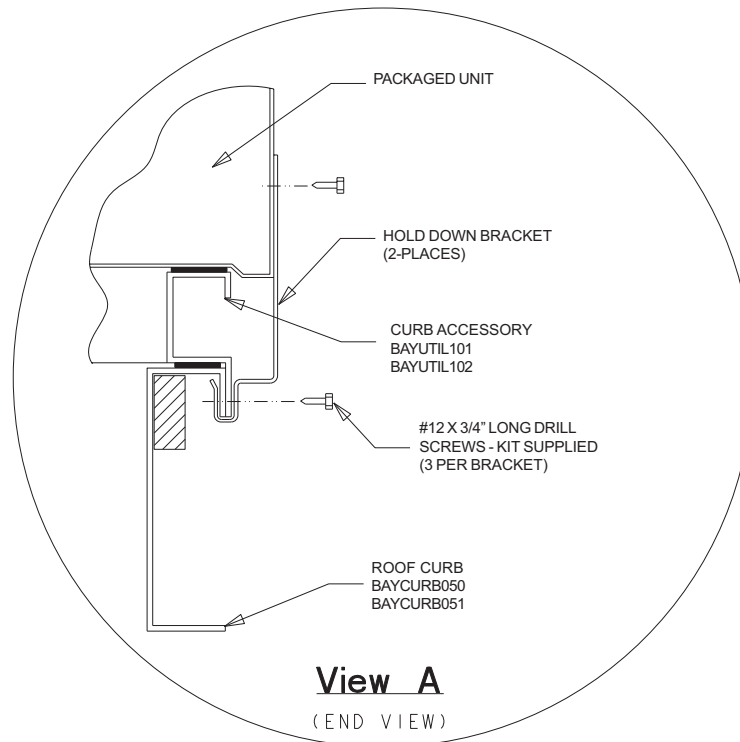


Figure 5. Hold Down Brackets

## About Trane and American Standard Heating and Air Conditioning

Trane and American Standard create comfortable, energy efficient indoor environments for residential applications. For more information, please visit [www.trane.com](http://www.trane.com) or [www.americanstandardair.com](http://www.americanstandardair.com)

---

The manufacturer has a policy of continuous data improvement and it reserves the right to change design and specifications without notice. We are committed to using environmentally conscious print practices.

18-HE38D11-3B-EN 14 Jul 2023

Supersedes 18-HE38D11-3A-EN (July 2020)

© 2023