

Push Button Boost Timer Point-of-Use (PBT) - CNT10176

Push Button Point-of-Use Control (PBL) - CNT10175

Percent Timer Control (PTL) - CNT10174

⚠ WARNING: HAZARDOUS VOLTAGE – DISCONNECT POWER BEFORE SERVICING

ALL phases of this installation must comply with NATIONAL, STATE AND LOCAL CODES

IMPORTANT—This Document is customer property and is to remain with this unit. Please return to service information pack upon completion of work.

REPLACEMENT INSTALLER'S GUIDE

ELECTRICAL CONTROLS

⚠ WARNING

HAZARDOUS VOLTAGE – DISCONNECT POWER BEFORE SERVICING

Note: Proper Wiring Size Selection and Wiring Installation Is The Responsibility of the Electrical Contractor.

Push Button Boost Timer Point-of-Use Control (PBT)

OPERATION:

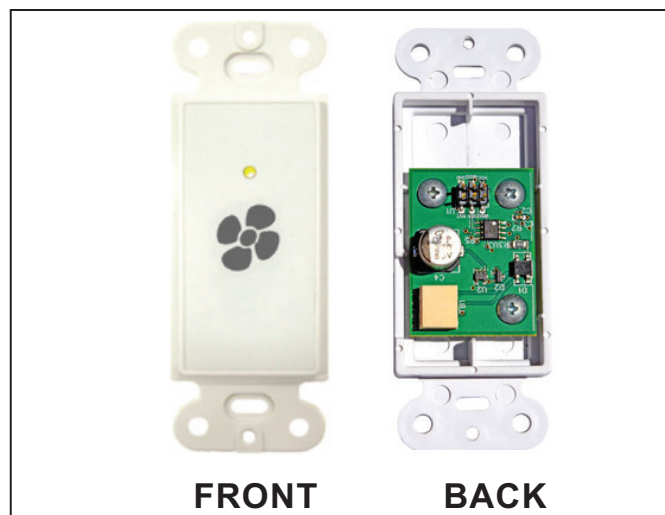
The Push Button Boost Timer (PBT) point-of-use control with indicator light is compatible with the ERV unit. The PBT will operate your ERV for either 20, 40, or 60 minutes based upon how many times the logo button has been pushed. The indicator light on the front of the PBT control is on whenever the ERV is operating, unless operating due to an additional control wired directly to your ERV. 20-40-60 Minute Ventilation Control:

- Press the logo and your ventilator will run for 20 minutes. Press again and the unit will run 40 minutes. A third press provides for 60 minutes of operation.
- You can cancel a cycle at anytime. Just press the logo for a fourth time.
- You can start another cycle by pressing the logo.

NOTE: For ERV systems with more than one control: Another control other than the push button may be causing your ventilator to run. If you wish to keep your ventilator from running, check that none of your controls are calling for unit operation.

INSTALLATION:

1. To hook the PBT up to the unit, expose the ends of two wires, and push one into the 'R' terminal and one into the 'C' terminal. Wire Size: 18–22 gauge, no more than 500 feet. Wiring is non-polar.
2. Install control in a standard 2" x 4" electrical box, with a minimum depth of 1.5", with the two screws provided.
3. To add a PBL Control, two wires should be attached to the 'PB' positions on the terminal block on the back of the PBT. Connect 'PB' wires in a similar fashion as 'R' and 'C' terminal wires.



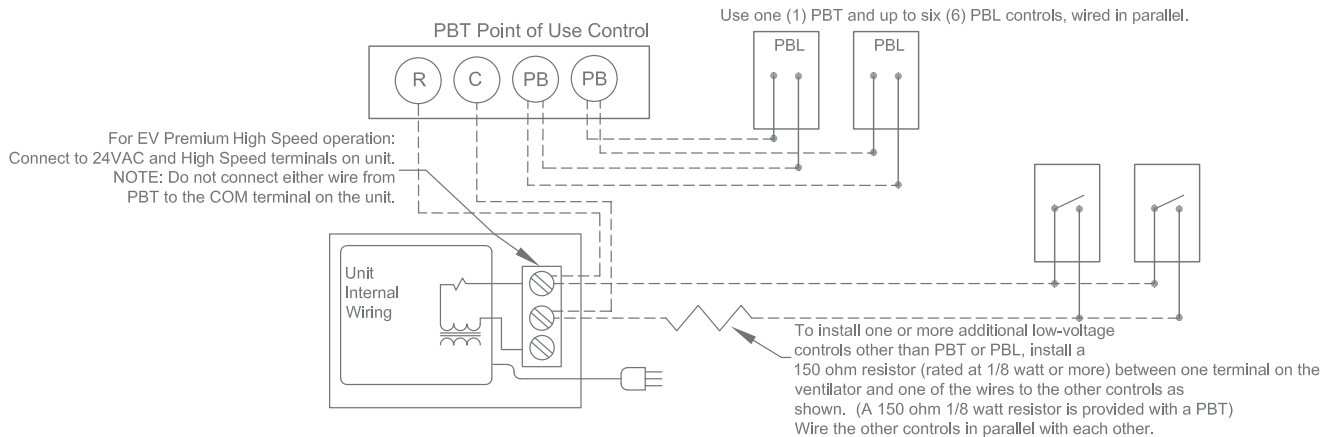
Installer's Guide

- For two PBL controls, one wire from each can be twisted together and inserted into a single position on the terminal block on the PBT. The wires must be a maximum 18 gauge solid wire. If more than two PBL controls are attached or 18 gauge stranded

wire is used, then pigtails must be inserted into the 'PB' positions on the PBT and the leads attached to the pigtails with wire nuts.

- Use Lutron Decora™ cover plate to complete installation (single cover plate included).

WIRING DIAGRAM:



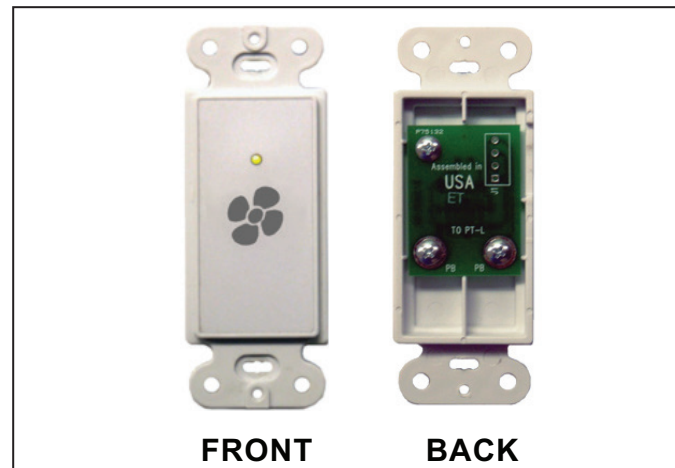
* EXCEPT WHEN ERV IS OPERATING DUE TO AN ADDITIONAL CONTROL WIRED DIRECTLY TO THE UNIT.

Push Button Point-of-Use Control (PBL) OPERATION:

The Push Button point-of-use control with indicator Light (PBL) works in conjunction with one Percentage Timer Control (PTL) or with one Push Button Timer (PBT) and is compatible with the ERV unit. The PBL will operate your ERV for either 20, 40, or 60 minutes based upon how many times the logo button has been pushed. The indicator light on the front of the PBL control is on whenever the ERV is operating, unless operating due to an additional control wired directly to your ERV. The PBL control must be properly wired to a PTL or PBT control to operate the ERV.

20-40-60 Minute Ventilation Control:

- Press the logo and your ventilator will run for 20 minutes. Press again and the unit will run 40 minutes. A third press provides for 60 minutes of operation. The PTL or PBT control does not need to be on for the PBL Control to operate the ERV unit.



- You can cancel a cycle at anytime. Just press the logo and hold for about five seconds.
- You can start another cycle by pressing the logo.

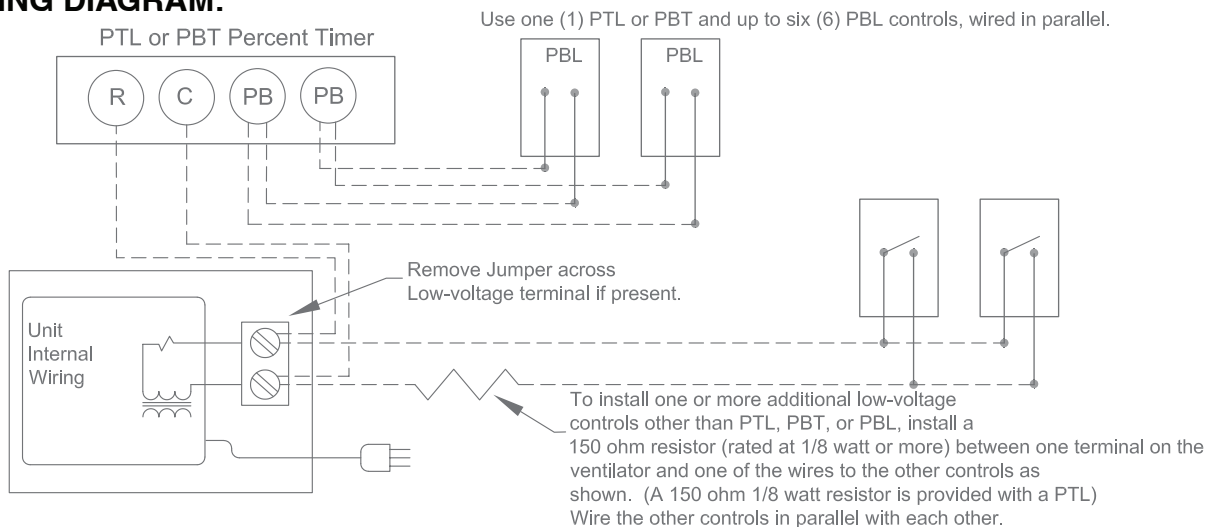
NOTE: For ERV systems with more than one control: Another control other than the push button may be causing your ventilator

to run. If you wish to keep your ventilator from running, check that none of your controls are calling for unit operation.

INSTALLATION:

1. Attach two wires to the back of the PBL Control under the screws at the bottom. Tighten down the screws being careful not to over-tighten.
Wire Size: 18–22 gauge, no more than 500 feet. Wiring is non-polar.
2. Install control in a standard 2" x 4" electrical box, with a minimum depth of 1.5", with the two screws provided.
3. Two wires from the PBL Control should be attached to the 'PB' positions on the terminal block on the back of the Percent Timer Control (PTL) or Push Button Timer (PBT).
4. For two PBL controls, one wire from each can be twisted together and inserted into a single position on the terminal block on the PTL or PBT. The wires must be a maximum 18 gauge solid wire. If more than two PBL controls are attached or 18 gauge stranded wire is used then pigtails must be inserted into the 'PB' positions on the Percent Timer Control and the leads attached to the pigtails with wire nuts.
5. Use Lutron Decora™ cover plate to complete installation (single cover plate included).

WIRING DIAGRAM:



* EXCEPT WHEN ERV IS OPERATING DUE TO AN ADDITIONAL CONTROL WIRED DIRECTLY TO THE UNIT.

Percentage Timer Control (PTL)

OPERATION:

The Percentage Timer Control with indicator lights (PTL) is the primary control for ERV unit. This proportional runtime control will operate your ERV an adjustable amount of time each hour. When the "Runtime %" light is on, the PTL control is telling your ERV to operate. Additionally, the PTL can be set to turn your ERV off or to operate constantly. ERV operation time will vary from application to application as well as time of year, lifestyle, indoor air

quality concerns and other factors. Discuss any questions with your HVAC professional or contact supplier directly.

Constant Operation: Press the button until the light next to "100" is lit.

Operation Each Hour: Run time of your ERV can be adjusted from 10%, or 6 minutes each hour, up to 100% operation in 10% increments. Simply press the button until the light next to the desired percentage amount is lit. You can increase or decrease the run time based upon daily, weekly or monthly variations in

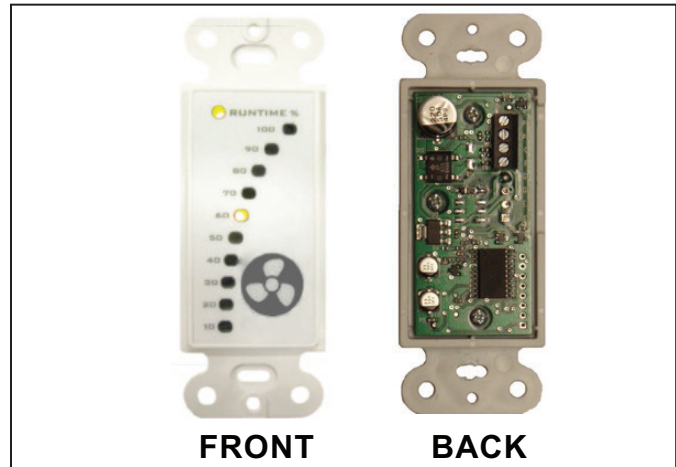
occupancy levels, indoor odors, cold weather winter humidity, or other indoor air quality concerns as needed.

FOR NO REGULAR OPERATION: Press the logo until all lights are off. The control is off.

INSTALLATION:

1. Install control in a standard 2" x 4" electrical box, with a minimum depth of 1.5", with the two screws provided.
2. Wire Size: 18–22 gauge, no more than 500 feet. Wiring is non-polar.
3. The two wires from the ERV should be attached to the ‘C’ and ‘R’ positions on the terminal block on the back of the PTL Control.

4. Use Lutron Decora™ cover plate to complete installation (single cover plate included).

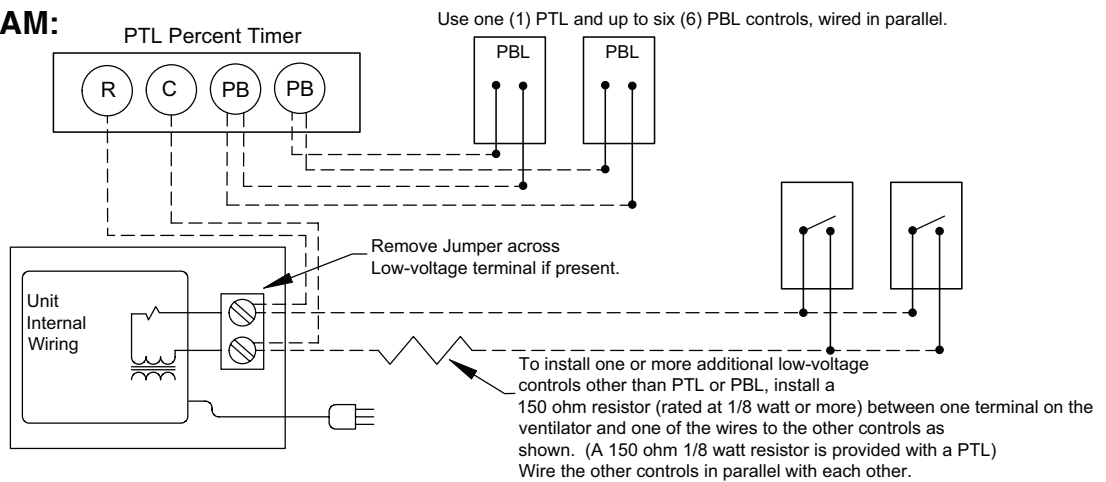


PERCENTAGE RUN TIME TABLES

| RUNTIME % SETTING | MINUTES OF OPERATION (PER HOUR) | EQUIVALENT CONTINUOUS OPERATION CFM | | | | |
|-------------------|---------------------------------|-------------------------------------|-------|-------|-------|-------|
| | | EV90/P | EV130 | EV200 | EV240 | EV300 |
| 10 | 6 | 9 | 13 | 18 | 24 | 30 |
| 20 | 12 | 18 | 26 | 36 | 48 | 59 |
| 30 | 18 | 27 | 39 | 54 | 72 | 89 |
| 40 | 24 | 36 | 52 | 72 | 96 | 119 |
| 50 | 30 | 45 | 65 | 91 | 120 | 149 |
| 60 | 36 | 54 | 78 | 109 | 144 | 178 |
| 70 | 42 | 63 | 91 | 127 | 168 | 208 |
| 80 | 48 | 72 | 104 | 145 | 192 | 238 |
| 90 | 54 | 81 | 117 | 163 | 216 | 267 |
| 100 | 60 | 90 | 130 | 181 | 240 | 297 |

| ASHRAE 62.2 2013/16 RESIDENTIAL VENTILATION AIR REQUIREMENTS CONTINUOUS CFM | | | | | |
|---|-----|-----|-----|-----|-----|
| BEDROOMS | | | | | |
| FLOOR AREA (FT ²) | 1 | 2 | 3 | 4 | 5 |
| <500 | 30 | 38 | 45 | 53 | 60 |
| 501 - 1000 | 45 | 53 | 60 | 68 | 75 |
| 1001 - 1500 | 60 | 68 | 75 | 83 | 90 |
| 1501 - 2000 | 75 | 83 | 90 | 98 | 105 |
| 2001 - 2500 | 90 | 98 | 105 | 113 | 120 |
| 2501 - 3000 | 105 | 113 | 120 | 128 | 135 |
| 3001 - 3500 | 120 | 128 | 135 | 143 | 150 |
| 3501 - 4000 | 135 | 143 | 150 | 158 | 165 |
| 4001 - 4500 | 150 | 158 | 165 | 173 | 180 |
| 4501 - 5000 | 165 | 173 | 180 | 188 | 195 |

WIRING DIAGRAM:



About Trane and American Standard Heating and Air Conditioning
 Trane and American Standard create comfortable, energy efficient indoor environments for residential applications. For more information, please visit www.trane.com or www.americanstandardair.com



The manufacturer has a policy of continuous data improvement and it reserves the right to change design and specifications without notice. We are committed to using environmentally conscious print practices.