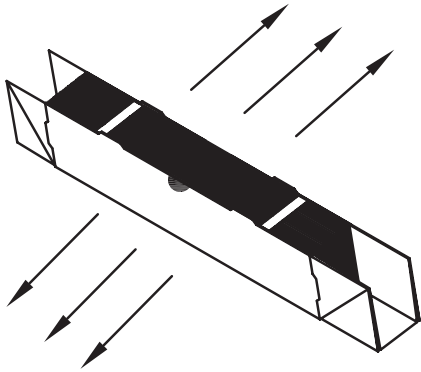
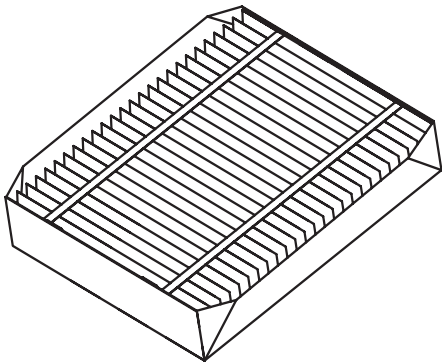


- 1.** Bottom Section Place on flat surface with tabs up and Metal down.

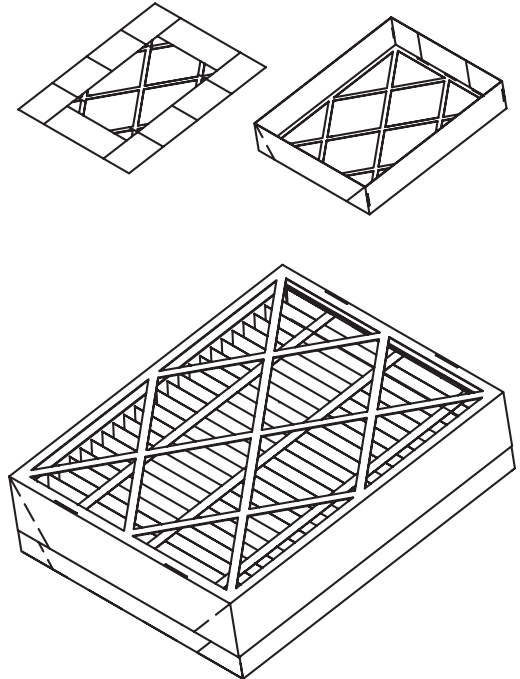


To Open: Lift, pull, and gently shake on both ends at same time.

- 2.** Fold up any sides that may be stuck down. Be careful of sharp edges on metal. Should look as shown.



- 3.** Open tap, erect corners, and place over bottom assembly.



- 4.** Lock bottom tabs into slots on lid where indicated.
Lock side tabs into slots on all 4 slides.

