

Installer's Guide

Low Ambient Control Kit BAYLOAM011A

Used with:

4WHC4

4TCC, 4YCC AND 4WCC

Important: ALL phases of this installation must comply with NATIONAL, STATE, AND LOCAL CODES.

SAFETY WARNING

Only qualified personnel should install and service the equipment. The installation, starting up, and servicing of heating, ventilating, and air-conditioning equipment can be hazardous and requires specific knowledge and training. Improperly installed, adjusted or altered equipment by an unqualified person could result in death or serious injury. When working on the equipment, observe all precautions in the literature and on the tags, stickers, and labels that are attached to the equipment.

General

The evaporator defrost control (EDC) is installed in the evaporator (indoor) coil face area. Its purpose is to cycle the compressor when the evaporator frosts under low outdoor ambient cooling conditions. The EDC will open at 0° F and de-energize the compressor circuit. After an increase in coil temperature the EDC will re-close at 50° F and restart the compressor.

Installation (WCH4 Units)

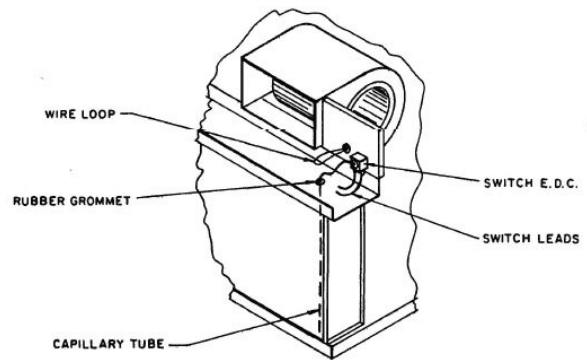
WARNING: Open and lock unit disconnect. Failure to do so may result in severe injury or death from electrical shock, or contact with moving parts.

Parts List

1. Two (2) 8-32 x 1/4 hex head screws
2. E.D.C. control with two (2) yellow wires attached
3. Two (2) insulated wire connectors
4. Two (2) yellow wires 60 inches long

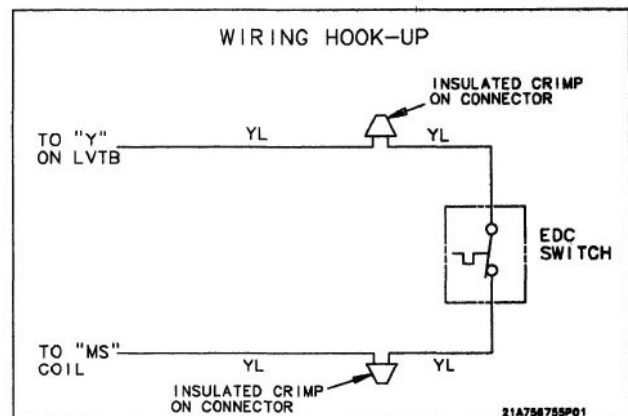
1. Remove top cover of unit. Retain all screws for re-installation.
2. Insert EDC capillary tube down into the indoor coil face area thru the rubber grommet provided with unit. Make sure the capillary tube end touches the condensate drain pan (see adjacent figure). Coil excess capillary tube above grommet and be sure to keep clear of EDC electrical terminals.
3. Mount the EDC with the two (2) screws provided in package.
4. Cut wire loop in half and strip insulation back 1/2 Inch from end on both wires.

Figure 1.



5. Connect EDC wires to wires stripped in step 4 with insulated wire connectors provided in adjacent image. Make sure connectors clamp both wires securely and that no loose wire strands protrude from connectors.
6. Replace top cover and attach with previously retained screws.
7. Close unit disconnect and set thermostat to desired temperature for operation.

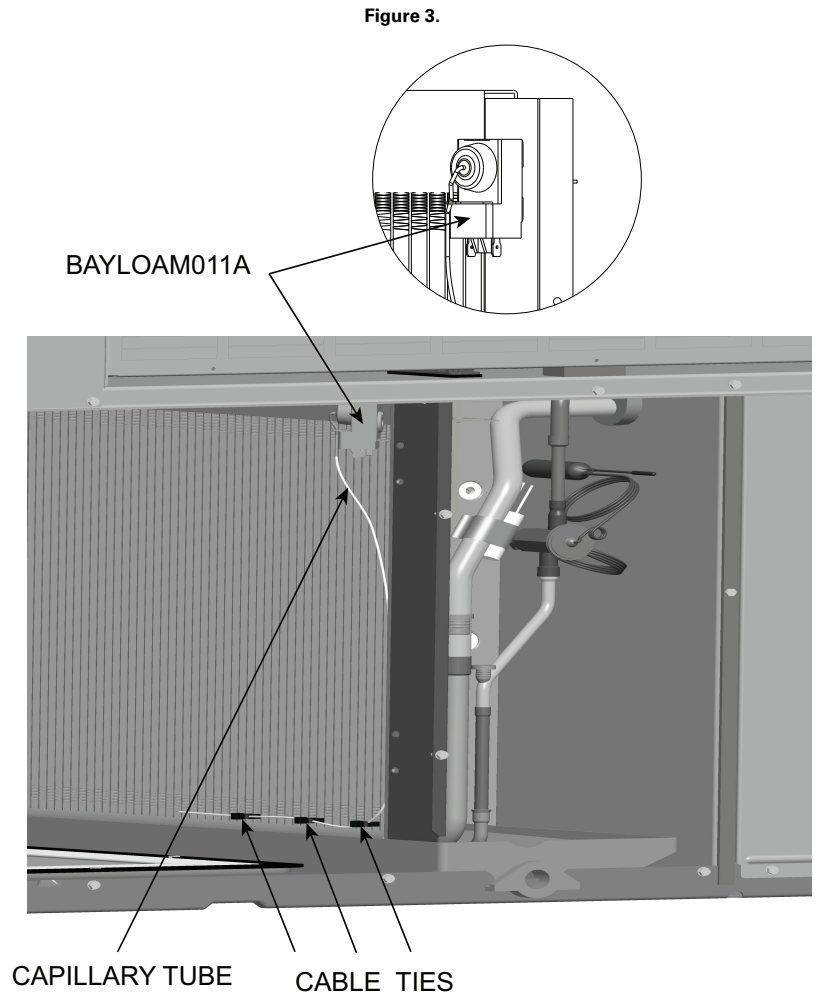
Figure 2.



Installation (TCC, YCC and WCC Units)

WARNING: Open and lock unit disconnect. Failure to do so may result in severe injury or death from electrical shock or contact with moving parts.

1. Remove the coil, blower and control box panels. Retain all screws.
2. Mount the EDC with the two (2) screws provided.
3. For unit with fin and tube coils, insert EDC capillary tube down into the indoor coil face area. Remove screws from corner of panel above the coil. Prop up to get clearance to feed capillary tube in coil. Make sure the capillary tube end touches the condensate drain pan. For unit with Micro-Channel coils, make sure the capillary tube is attached as shown in **Figure 3**.

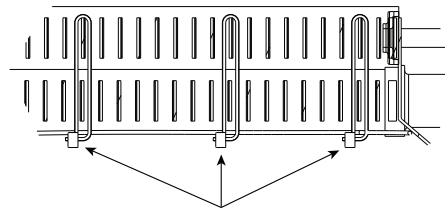


- With provided wire ties, secure the EDC capillary tube to the coil as shown in **Figure 4**. Coil excess capillary tube and be sure to keep clear of the EDC electrical terminals.

Note: Make sure not to twist the capillary tube.

Figure 4.

Top View



Loop cable ties through openings in coil to secure Bayloam

- Disconnect the two (2) short yellow wires from the EDC and connect the two (2) long wire leads (provided) to the EDC terminals.
- Route the leads through grommet at EDC mount location. Continue by routing behind compressor box into blower area and through rubber grommet into control box. See **Figure 5**.
- Remove the knockout in the control box barrier and insert the bushing in the hole and route the wires through the bushing.
- Route the wire leads into the unit control box's low voltage area and make connections per **Figure 6**.
- With provided wire ties, secure the wire leads to prevent them from coming into contact with moving parts.
- Replace all panels with screws retained in Step 1.
- Close unit disconnect and set thermostat to desired operating temperature.

Figure 5.

GROMMETS

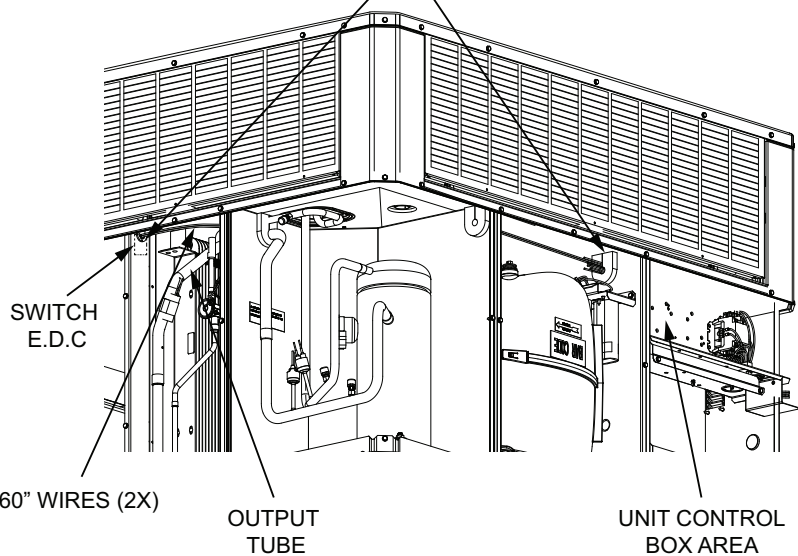
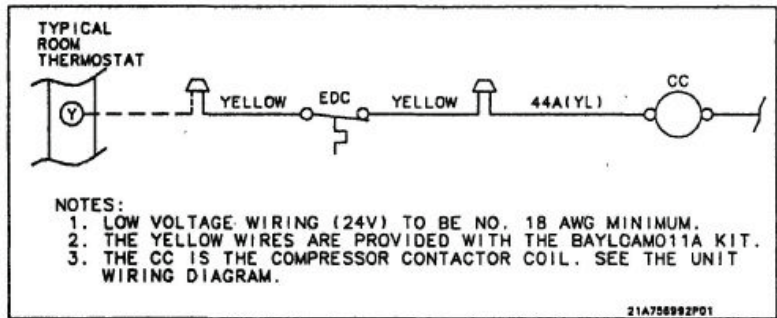


Figure 6.



About Trane and American Standard Heating and Air Conditioning

Trane and American Standard create comfortable, energy efficient indoor environments for residential applications. For more information, please visit www.trane.com or www.americanstandardair.com.

The manufacturer has a policy of continuous data improvement and it reserves the right to change design and specifications without notice. We are committed to using environmentally conscious print practices.