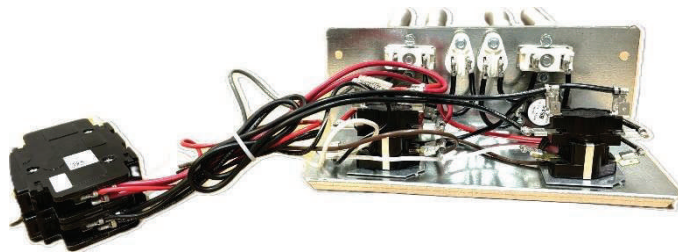


# Installer's Guide

## Supplementary Electric Heaters for Wall-Mount Air Handlers

BAYHTRA505BRKA  
BAYHTRA508BRKA  
BAYHTRA510BRKA



*Note: Graphics in this document are for representation only. Actual model may differ in appearance.*

### **⚠ SAFETY WARNING**

Only qualified personnel should install and service the equipment. The installation, starting up, and servicing of heating, ventilating, and air-conditioning equipment can be hazardous and requires specific knowledge and training. Improperly installed, adjusted or altered equipment by an unqualified person could result in death or serious injury. When working on the equipment, observe all precautions in the literature and on the tags, stickers, and labels that are attached to the equipment.

# Safety Section

*Important: ALL phases of this installation must comply with NATIONAL, STATE AND LOCAL CODES.*

*Important: This Document is customer property and is to remain with this unit. Please return to service information pack upon completion of work.*

## **⚠ WARNING**

### **HAZARDOUS VOLTAGE!**

Disconnect ALL power before servicing or installing this unit. Multiple power sources may be present. Failure to do so may cause property damage, personal injury, or death.

## **⚠ WARNING**

### **POWER SUPPLY!**

The unit is designed for operation with 208/240 V, single phase, 60 Hz power supply.

## **⚠ WARNING**

### **NATIONAL BUILDING CODES!**

This product designed and manufactured to permit installation in accordance with local and national building codes. It is the installer's responsibility to ensure that product is installed in strict compliance with national and local codes. Manufacturer takes no responsibility for damage (personal, product or property) caused due to installations violating regulations. Installation of this unit shall be made in accordance with the National Electric Code, NFPA No. 90A and 90B, and any other local codes or utilities requirements.

## **⚠ WARNING**

### **SAFETY DEVICES!**

Do not bypass safety devices.

## **⚠ WARNING**

### **SAFETY HAZARD!**

This information is intended for use by individuals possessing adequate backgrounds of electrical and mechanical experience. Any attempt to repair a central air conditioning product may result in personal injury and/or property damage. The manufacturer or seller cannot be responsible for the interpretation of this information, nor can it assume any liability in connection with its use.

## **⚠ WARNING**

### **HAZARDOUS VOLTAGE!**

Disconnect all electrical power, including remote disconnects before installing or servicing. Follow proper lockout/tagout procedures to ensure the power can not be inadvertently energized. Failure to disconnect power before servicing could result in death or serious injury.

## **⚠ CAUTION**

### **SAFETY HAZARD!**

Sharp Edge Hazard. Be careful of sharp edges on equipment or any cuts made on sheet metal while installing or servicing. Personal injury may result.

# Table of Contents

Installation ..... 4  
Heater Tables..... 6

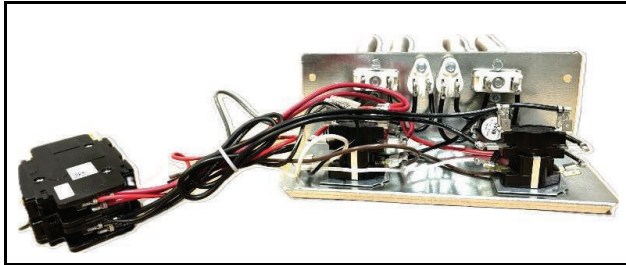
Wiring Diagram ..... 7

# Installation

## General Data

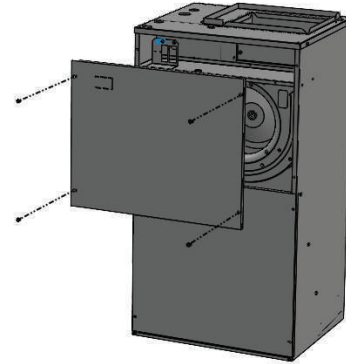
This accessory electric heater is designed to provide power directly to the unit from the accessory heater's power supply eliminating the need for additional circuits. The power and control wiring use a single polarized plug to connect the heater and the unit. See the "Heater Tables," p. 6 for the number of circuits required.

1. Check the unit heater label to confirm that the selected Heater is approved for use with this unit in the installed configuration.
2. Check the components received for damage. Report any defects or shortages to the transportation company immediately.
3. Be sure the power supply agrees with the listing shown on heater nameplate.

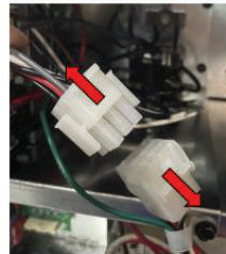


## Installation Instructions

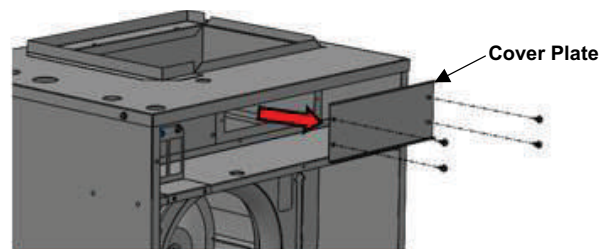
1. Disconnect power, unscrew and open upper access panels to access the electrical box.



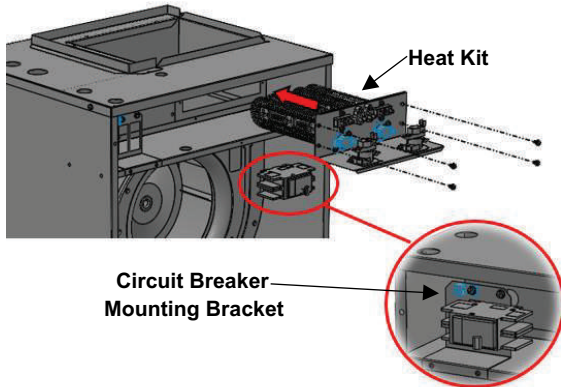
2. If the unit has an existing heat kit with wire harness, unplug wire harness connectors from the unit.



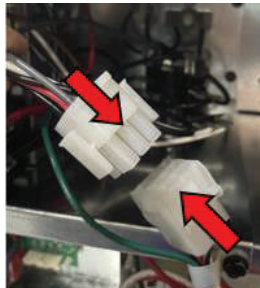
3. Remove 4 screws on the cover plate or if an existing heat kit is present. Set aside the 4 screws and discard the cover plate.



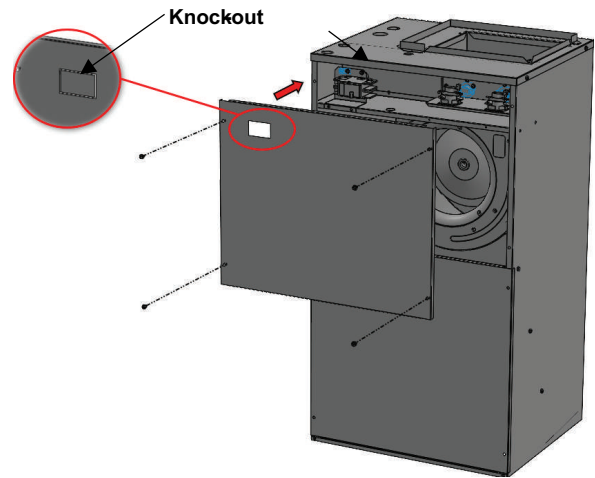
- Align and insert the new heat kit into the unit. Secure the heat kit by re-using the 4 screws that you set aside. Mount the circuit breaker into the mounting bracket.



- Reconnect the unit wire harness connector and make sure all wiring connections conform with the unit wiring diagrams.



- Remove the knock-out on the upper access panel, cut the insulation on the knockout area and mount and align the upper access panel into the unit and secure it with the 4 screws.



- Find the nameplate of the air handler unit and cross out the existing configuration and check the box of the new heat kit model configuration that was installed.

TRANE U.S. INC

MODEL NO.: 5TMM560A30M21SA MOTOR HP: 0.33 REFRIGERANT: R454B  
 SERIAL NO.: 2433AMAA8X MOTOR FLA: 2.400 MAX. ALLOWABLE PRESSURE: 350 PSIG / 4.482 MPa  
 VIKTS: 208/240 TEST DUCT STATIC PRESS.: 0.5 IN. W.C. (MAX) FACTORY CHARGED NITROGEN: 150 PSIG / 1.034 MPa  
 PH / HZ: 1 / 60

HEATER KIT MODEL NO.	ELECTRIC HEAT RATES (KW)	ELECTRIC HEAT ACTUAL (KW)		TOTAL UNIT AMPS		MINIMUM CIRCUIT AMPACITY		MAX FUSE OR BREAKER (MCR) AMPACITY		MIN. HEATING BLOWER SPEED
		208V	240V	208V	240V	208V	240V	208V	240V	
NO ELEC HEAT	0	0	0	2.4	2.4	3.0	3.0	15	15	651
BAYHTRAS05BK	5	3.8	4.8	19.7	22.4	24.9	28.0	25	30	651
BAYHTRAS08BK	8	6.0	8.0	31.2	35.7	39.1	44.7	40	50	708
BAYHTRAS10BK	10	7.2	9.6	37.0	42.4	46.3	53.0	50	60	708

NOTE: RE-CHECK APPROPRIATE BOX  FOR HEATER KIT CHANGES IN THE FIELD  
 SUITABLE FOR 0 INCH CLEARANCE BETWEEN UNIT AND COMBUSTIBLE SURFACES AND 0 INCH CLEARANCE BETWEEN OUTLET PLENUM AND FIRST 3 FEET OF OUTLET DUCT AND COMBUSTIBLE SURFACES WHEN HEATERS ARE INSTALLED. MAXIMUM OUTLET AIR TEMPERATURE NOT TO EXCEED 197°F

- Find the wiring diagram label that is included in the heat kit and stick it near the nameplate. See "Wiring Diagram," p. 7.

# Heater Tables

**Important:** The BAYHTRA5\*\* electric heat accessory includes one 60 amp circuit breaker to provide an electrical disconnect for service personnel that is intended to help protect internal electrical components in the event of a short circuit or ground fault. As

designed, the circuit breakers supplied in the BAYHTRA5\*\* accessory DO NOT provide over current protection of the branch circuit. Therefore, the branch circuit (s) shall be sized and protected according to the unit nameplate.

**Heater Data Table**

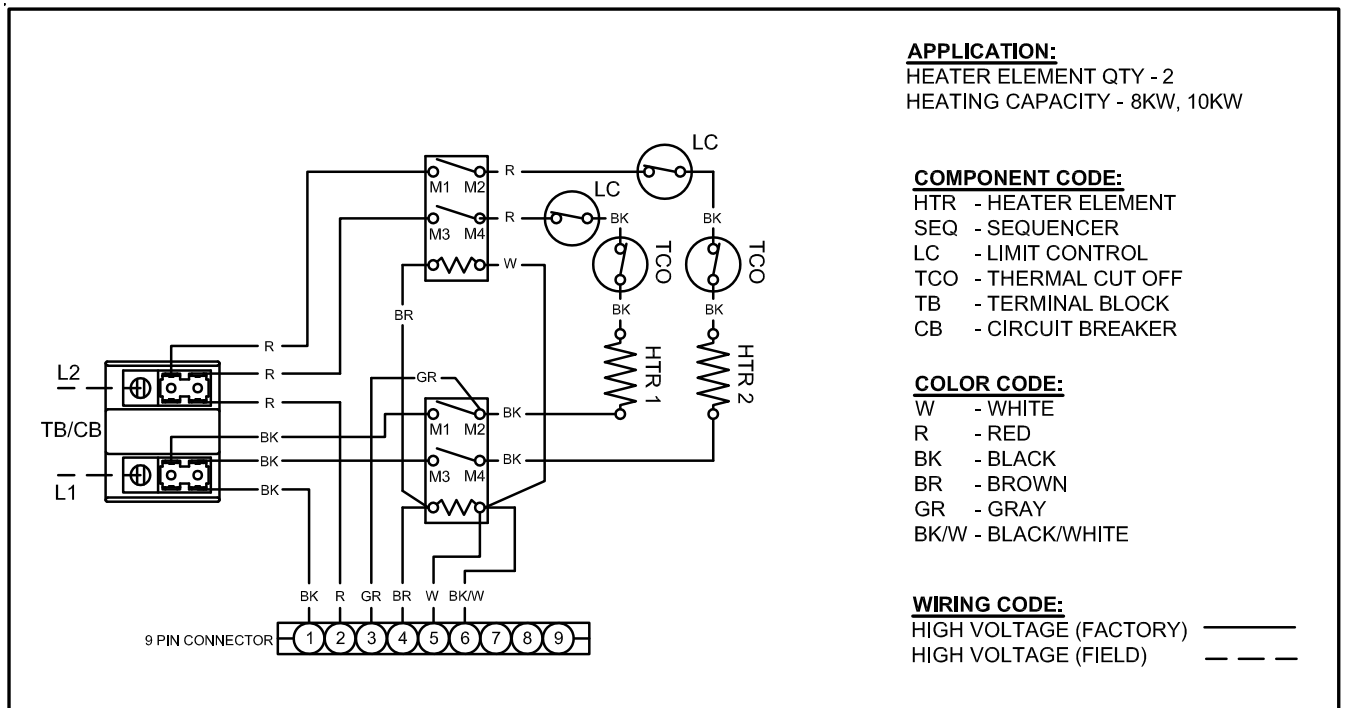
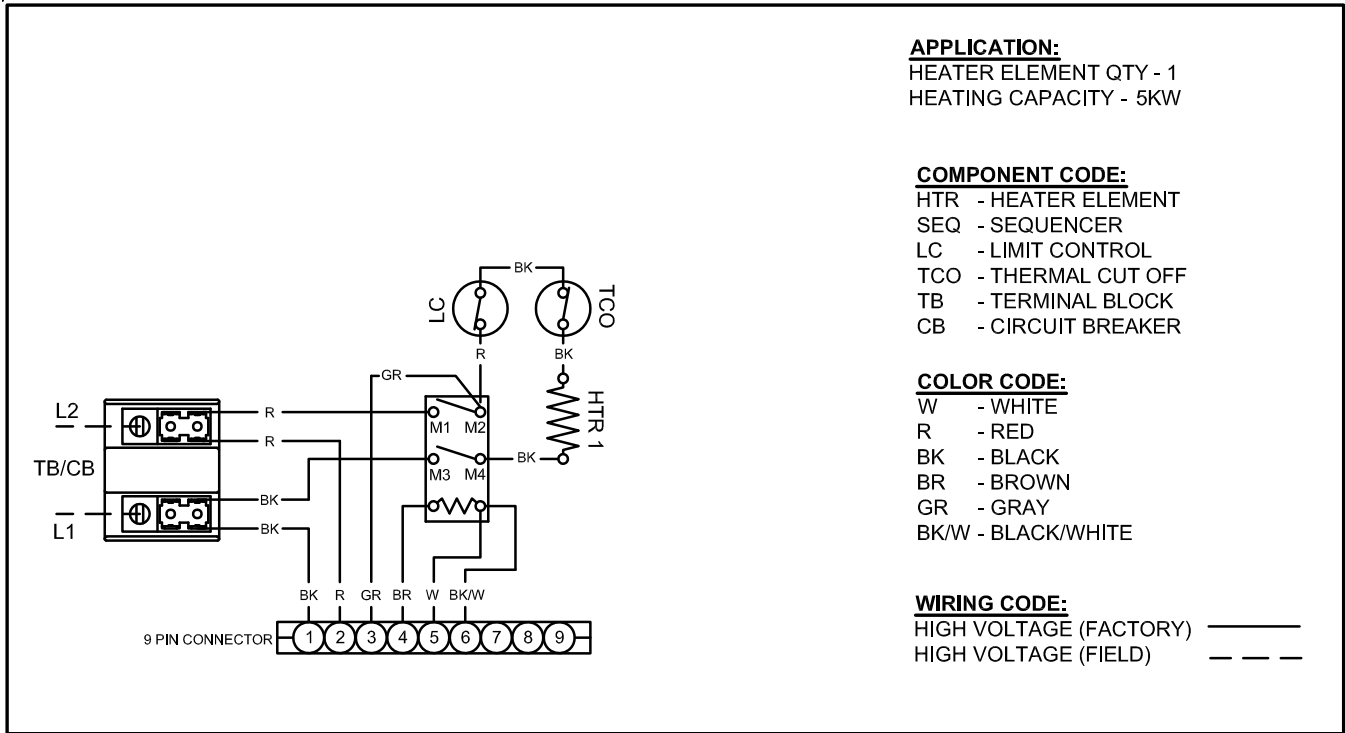
HEATING CAPACITY											
Heater Model Number	kW @ 240V	kW @ 208V	208V (BTUH)	240V (BTUH)	Rated Voltage	Control Stages	Number of Heater Racks	Number of Circuits	Heater Amps per Circuit		Contains Circuit Breakers
									208V	240V	
<b>BAYH-TRA505-BRKA</b>	4.8	3.6	12600	16400	208/240/1/60	1	1	1	17.30	20.00	Yes
<b>BAYH-TRA508-BRKA</b>	8	6	20500	27300	208/240/1/60	1	2	1	28.80	33.30	Yes
<b>BAYH-TRA510-BRKA</b>	9.6	7.2	24500	32800	208/240/1/60	1	2	1	34.60	40.00	Yes

**Note:** For model specific electrical data, see the wall mount air handler Installer's Guide.

**Minimum Airflow Table**

MODEL	HEAT KIT	SPEED TAP	MINIMUM CFM REQUIRED FOR EHK
5TMM5B0A30M21SA 5TMM5B0B30M21SA	BAYHTRA505BRKA	T2	660
	BAYHTRA508BRKA	T4	831
	BAYHTRA510BRKA	T4	831
5TMM5B0B36M31SA	BAYHTRA505BRKA	T4	570
	BAYHTRA508BRKA	T5	836
	BAYHTRA510BRKA	T5	836
5TMM5B0C36M31SA	BAYHTRA505BRKA	T4	1031
	BAYHTRA508BRKA	T5	1207
	BAYHTRA510BRKA	T5	1207

# Wiring Diagram



## About Trane and American Standard Heating and Air Conditioning

Trane and American Standard create comfortable, energy efficient indoor environments for residential applications. For more information, please visit [www.trane.com](http://www.trane.com) or [www.americanstandardair.com](http://www.americanstandardair.com).

---



The manufacturer has a policy of continuous data improvement and it reserves the right to change design and specifications without notice. We are committed to using environmentally conscious print practices.