

Installer's Guide

Single Point Entry Kit

BAYSPEK060
BAYSPEK061
BAYSPEK062

BAYSPEK063
BAYSPEK064
BAYSPEK065

SAFETY WARNING

Only qualified personnel should install and service the equipment. The installation, starting up, and servicing of heating, ventilating, and air-conditioning equipment can be hazardous and requires specific knowledge and training. Improperly installed, adjusted or altered equipment by an unqualified person could result in death or serious injury. When working on the equipment, observe all precautions in the literature and on the tags, stickers, and labels that are attached to the equipment.

SAFETY SECTION

Important: This document contains a wiring diagram, a parts list, and service information. This is customer property and is to remain with this unit. Please return to service information pack upon completion of work.

⚠ WARNING

HAZARDOUS VOLTAGE!

Failure to follow this Warning could result in property damage, severe personal injury, or death.

Disconnect all electric power, including remote disconnects before servicing. Follow proper lockout/tagout procedures to ensure the power cannot be inadvertently energized.

⚠ WARNING

SAFETY AND ELECTRICAL HAZARD!

Failure to follow this Warning could result in property damage, severe personal injury, or death.

These servicing instructions are for use by qualified personnel only. To reduce the risk of electrical shock, do not perform any servicing other than that contained in these operating instructions unless you are qualified to do so.

⚠ CAUTION

GROUNDING REQUIRED!

Failure to inspect or use proper service tools may result in equipment damage or personal injury. Reconnect all grounding devices. All parts of this product that are capable of conducting electrical current are grounded. If grounding wires, screws, straps, clips, nuts, or washers used to complete a path to ground are removed for service, they must be returned to their original position and properly fastened.

⚠ WARNING

SAFETY HAZARD!

Operating the unit without the access panels properly installed may result in severe personal injury or death.

Do not operate the unit without the evaporator fan access panel or evaporator coil access panel in place.

⚠ WARNING

WARNING!

This product can expose you to chemicals including lead, which are known to the State of California to cause cancer and birth defects or other reproductive harm. For more information go to www.P65Warnings.ca.gov.

Important: Wear appropriate gloves, arm sleeve protectors and eye protection when servicing or maintaining this equipment.

Important: Air filters and media wheels or plates shall meet the test requirements in UL 900.

Table of Contents

General Information 4

BAYSPEK Nameplates with Heater
Models 5

General Information

Follow these instructions to install the Single-Point Power Entry Kit (SPEK) in single packaged units.

1. Check for any shipping damage, and if any, report it to the carrier immediately.
2. Check the single power entry kit nameplate to ensure available power supply complies with the particular single power entry kit, heater and unit model being used.
3. The field electrical connections and wiring must be done in accordance with the "National Electrical Code" and must comply with local electrical codes.

Install Single Power Entry Kit

1. Remove the Control/Heat panel.
2. Open the louvered Heater Control box door and mount the SPEK inside the Heater Control box. Secure the SPEK with the screws provided in the kit. See illustrations and wiring diagrams throughout this guide.
3. Insert the included grommet in the hole in the heater Control box base that leads to the unit Control/Heater compartment. The unit power wires provided with the SPEK will pass through this grommet and be routed up to the unit contactor.
4. Make all electrical connections to the unit and heater in accordance with the appropriate wiring diagram in this instruction and included with the specific SPEK.
5. Place the included SPEK wiring diagram on the inner surface of the Control/Heater access panel next to the unit wiring diagram and extra heater wiring diagram.

Important: Two (2) nameplate labels included with the single power entry kit must be attached to the air conditioning unit or heat pump unit as illustrated in Figure 1, p. 4

The smaller label "A663949P01" **MUST** be placed over the unit rating nameplate to cover the unit only MCA and Fusing.

Important: Select the appropriate SPEK nameplate from Figure 2 to Figure 6 to be installed over the heater nameplate. Use SPEK model, Heater model and unit model information to select nameplate to be used.

High Voltage Field Wiring

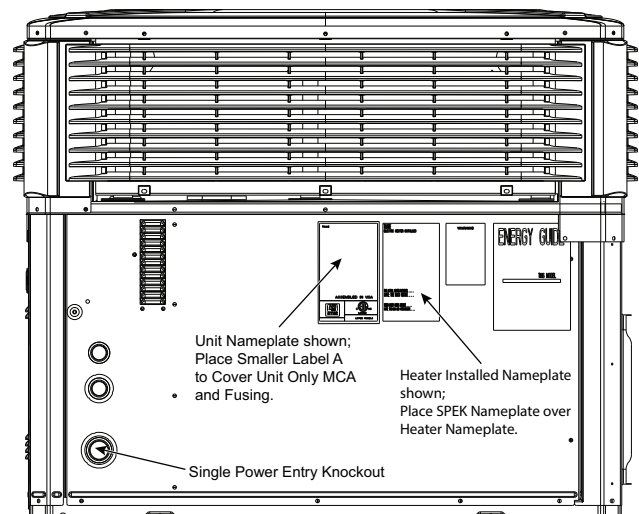
Note: All field wire to be rated 75°C minimum.
Maximum field wire size is 2/0 AWG.

1. Check to make certain the proper size fuses are installed per the fuse table (located on the wiring diagram) and the ampacity and max fuse/circuit breaker tables for the particular SPEK being used.
2. Remove the required electrical knockout from the unit conduit panel and route the field wires through the unit heater section (not the Control Box section).
3. Connect the power supply to the terminal block or fuse block (depending on SPEK kit being used) on the SPEK. See appropriate wiring diagram for hookup connections. Connect the power supply ground wire to the ground lug on the single power entry kit. The BAYSPEK060 and 061 wire terminals connect to the installed heater terminal block on the Heater Control box base to power the unit.
4. Close the Heater/SPEK control box cover.
5. Reinstall the Control/Heat access panel.
6. Apply power to the unit.

Low Voltage Wiring (24 Volts)

All lower voltage connections have been made to the heater via polarized plugs. The low voltage controls are connected to the room thermostat from the air conditioner or heat pump low voltage leads. See the field wiring diagram with the unit.

Figure 1. Single Point Power Entry Kit Label Positions



BAYSPEK Nameplates with Heater Models

Figure 2. BAYSPEK060, 062, 063

Trane U.S. Inc. Manufacturer of American Standard HVAC SINGLE POINT POWER KIT UL RATING REQUIREMENTS					
SINGLE POWER ENTRY KIT	HEATER MODEL	CHECK	UNIT MODEL	MIN CKT. AMP.	MAX OVER CURRENT PROTECT DEVICE
BAYSPEK060	BAYHTRV105	C	4TCC4024A	29	30
			4TCC4030A	31	35
			4TCC4036A	31	35
			4TCC4042A	34	50
			4TCC4048A	34	50
			4TCC4060A	35	60
			4TCY4024A	31	35
			4TCY4030A	31	35
			4TCY4036B	31	40
			4TCY4042B	35	50
			4TCY4048B	35	50
			4TCY4060A	42	60
			4TCY5024A	32	35
			4TCY5030A	32	35
			4TCY5036A	32	35
			4TCY5042A	35	45
			4TCY5048A	35	50
			4TCY5060A	44	60
			4WCC4024A	45	50
			4WCC4030A	49	50
	4WCC4036A	50	60		
	4WCC4042A	54	60		
	4WCY4024A	42	45		
	4WCY4030A	45	50		
	4WCY4036B	51	60		
	4WCY5024A	44	45		
	4WCY5030A	49	50		
	4WCY5036A	51	60		
	4WCY5042A	55	60		
	4WCZ6024A	46	50		
	4WCZ6036B	50	60		
	BAYHTRV108	C	4TCC4024A	44	45
			4TCC4030A	46	50
			4TCC4036A	46	50
			4TCC4042A	49	50
			4TCC4048A	49	50
			4TCC4060A	50	60
			4TCY4024A	47	50
			4TCY4030A	47	50
			4TCY4036B	47	50
			4TCY4042B	50	60
			4TCY4048B	50	50
			4TCY4060A	50	60
			4TCY5024A	47	50
4TCY5030A			47	50	
4TCY5036A			47	50	
4TCY5042A			50	50	
4TCY5048A			50	50	
4TCY5060A			50	60	
4WCY4024A			58	60	
4WCY5024A			59	60	
BAYHTRV110	C	4TCC4024A	55	60	
		4TCC4030A	57	60	
		4TCC4036A	57	60	
		4TCC4042A	60	60	
		4TCC4048A	60	60	
		4TCY4024A	58	60	
		4TCY4030A	58	60	
		4TCY4036B	58	60	
		4TCY5024A	58	60	
		4TCY5030A	58	60	
4TCY5036A	58	60			

INSTALLER OF THE SINGLE POWER ENTRY KIT MUST CHECK THE APPROPRIATE BOX ABOVE TO RECORD THE KIT, HEATER AND UNIT MODEL NUMBERS INSTALLED. POWER SUPPLY VOLTAGE TO UNIT AND HEATER MUST BE IDENTICAL. CHECK THE UNIT AND HEATER NAMEPLATES TO DETERMINE THE CORRECT POWER SUPPLY VOLTAGE. CHECK HEATER NAMEPLATE TO DETERMINE HEATER KW AND CURRENT RATING. MINIMUM INSTALLATION CLEARANCE TO COMBUSTIBLE MATERIAL WHEN ELECTRIC HEATERS ARE INSTALLED: UNIT CABINET-0", PLENUM-0" AND OUTLET DUCT- 0". * INDICATES AN ALPHA CHARACTER IN THE FOURTH DIGIT OF THE UNIT MODEL.

PLACE ABOVE LABEL OVER "ELECTRIC HEATER INSTALLED" NAMEPLATE ON UNIT D932299P14

Trane U.S. Inc. Manufacturer of American Standard HVAC SINGLE POINT POWER KIT UL RATING REQUIREMENTS					
SINGLE POWER ENTRY KIT	HEATER MODEL	CHECK	UNIT MODEL	MIN CKT. AMP.	MAX OVER CURRENT PROTECT DEVICE
BAYSPEK060	BAYHTRV105	C	4TCC4024E	29	30
			4TCC4030E	31	35
			4TCC4036E	34	40
			4TCC4042E	34	50
			4TCC4048E	34	50
			4TCC4060E	35	60
			4WCC4024E	47	50
			4WCC4030E	49	50
			4WCC4036E	50	60
			4WCC4042E	54	60
	4WCZ5024E	46	50		
	BAYHTRV108	C	4WCZ5024F	46	50
			4WCZ5036E	50	60
			4TCC4024E	44	45
			4TCC4030E	46	50
			4TCC4036E	49	50
			4TCC4042E	49	50
			4TCC4048E	49	50
			4TCC4060E	50	60
			4TCC4024E	55	60
			4TCC4030E	57	60
	BAYHTRV110	C	4TCC4036E	60	60
			4TCC4042E	60	60
			4TCC4048E	60	60
			4WCC4048E	58	70
			4WCC4060E	65	80
			4WCZ5048E	60	70
			4WCZ5060E	68	90
			4WCC4024E	62	70
			4WCC4030E	64	70
4WCC4036E			65	70	
BAYSPEK062	C	4WCC4042E	69	70	
		4WCC4048E	73	80	
		4WCC4060E	80	90	
		4WCZ5024E	61	70	
		4WCZ5024F	61	70	
		4WCZ5036E	66	70	
		4WCZ5048E	76	80	
		4WCZ5060E	84	100	
		4TCC4060E	61	70	
		4WCC4024E	73	80	
BAYHTRV110	C	4WCC4030E	75	80	
		4WCC4036E	76	80	
		4WCC4042E	80	80	
		4WCC4048E	84	90	
		4WCC4060E	91	100	
		4WCZ5024E	72	80	
		4WCZ5024F	72	80	
		4WCZ5036E	76	80	
		4WCZ5048E	86	90	
		4WCZ5060E	94	110	
BAYSPEK063	C	4TCC4030E	83	90	
		4TCC4036E	86	90	
		4TCC4042E	86	90	
		4TCC4048E	86	90	
		4TCC4060E	87	90	
		4WCC4030E	101	110	
		4WCC4036E	102	110	
		4WCC4042E	106	110	
		4WCC4048E	110	110	
		4WCC4060E	117	125	
BAYHTRV120	C	4WCZ5036E	102	110	
		4WCZ5048E	112	125	
		4WCZ5060E	120	125	
		4TCC4048E	112	125	
		4TCC4060E	113	125	
		4WCC4042E	132	150	
		4WCC4048E	136	150	
		4WCC4060E	143	150	
		4WCZ5048E	138	150	
		4WCZ5060E	146	150	

INSTALLER OF THE SINGLE POWER ENTRY KIT MUST CHECK THE APPROPRIATE BOX ABOVE TO RECORD THE KIT, HEATER AND UNIT MODEL NUMBERS INSTALLED. POWER SUPPLY VOLTAGE TO UNIT AND HEATER MUST BE IDENTICAL. CHECK THE UNIT AND HEATER NAMEPLATES TO DETERMINE THE CORRECT POWER SUPPLY VOLTAGE. CHECK HEATER NAMEPLATE TO DETERMINE HEATER KW AND CURRENT RATING. MINIMUM INSTALLATION CLEARANCE TO COMBUSTIBLE MATERIAL WHEN ELECTRIC HEATERS ARE INSTALLED: UNIT CABINET-0", PLENUM-0" AND OUTLET DUCT- 0". * INDICATES AN ALPHA CHARACTER IN THE FOURTH DIGIT OF THE UNIT MODEL.

PLACE ABOVE LABEL OVER "ELECTRIC HEATER INSTALLED" NAMEPLATE ON UNIT D932299P19

BAYSPEK Nameplates with Heater Models

Figure 3. BAYSPEK061

Trane U.S. Inc. Manufacturer of American Standard HVAC SINGLE POINT POWER KIT UL RATING REQUIREMENTS						
SINGLE POWER ENTRY KIT	HEATER MODEL	CHECK	UNIT MODEL	MIN. CKT. AMP.	MAX. OVER CURRENT PROTECT. DEVICE	
BAYSPEK061	BAYHTRV305		4TC*3036A3	18	30	
				4TC*3048A3	24	35
				4TC*3060A3	32	45
				4TCY4036A3	20	30
				4TCY4048A3	26	40
				4TCY4060A3	31	45
				4WC*3036A3	33	40
				4WC*3048A3	39	50
				4WC*3060A3	47	60
				4WCY4036A3	35	40
	BAYHTRV308			4WCY4048A3	41	50
				4WCY4060A3	46	60
				4WCZ6036B3	35	40
				4WCZ6048B3	40	50
				4WCZ6060B3	44	50
				4TC*3036A3	27	30
				4TC*3048A3	29	35
				4TC*3060A3	34	45
				4TCY4036A3	29	30
				4TCY4048A3	33	40
	BAYHTRV310			4TCY4060A3	33	45
				4WC*3036A3	42	45
				4WC*3048A3	48	50
				4WC*3060A3	56	60
				4WCY4036A3	44	50
				4WCY4048A3	50	60
				4WCY4060A3	55	60
				4WCZ6036B3	44	50
				4WCZ6048B3	49	50
				4WCZ6060B3	53	60
	BAYHTRV315			4TC*3036A3	33	35
				4TC*3048A3	35	35
				4TC*3060A3	40	45
				4TCY4036A3	35	35
				4TCY4048A3	39	40
				4TCY4060A3	39	45
				4WC*3036A3	48	50
				4WC*3048A3	54	60
				4WCY4036A3	50	50
				4WCY4048A3	56	60
	BAYHTRV405			4WCZ6036B3	50	50
				4WCZ6048B3	55	60
				4TC*3036A3	48	50
				4TC*3048A3	50	50
				4TC*3060A3	55	60
				4TCY4036A3	50	50
				4TCY4048A3	54	60
				4TCY4060A3	54	60
				4TC*3036A4	10	15
				4TC*3048A4	12	15
	BAYHTRV408			4TC*3060A4	20	25
				4WC*3036A4	16	20
				4WC*3048A4	19	25
				4WC*3060A4	27	30
				4WCZ6036B4	19	20
				4WCZ6048B4	23	25
				4WCZ6060B4	24	25
				4TC*3036A4	14	15
				4TC*3048A4	15	15
				4TC*3060A4	22	25
	BAYHTRV410			4WC*3036A4	21	25
				4WC*3048A4	24	25
				4WC*3060A4	32	35
				4WCZ6036B4	24	25
				4WCZ6048B4	27	30
				4WCZ6060B4	29	30
				4TC*3036A4	17	20
				4TC*3048A4	18	20
				4TC*3060A4	25	25
				4WC*3036A4	24	25
	BAYHTRV415			4WC*3048A4	27	30
				4WC*3060A4	35	40
				4WCZ6036B4	27	30
				4WCZ6048B4	30	30
				4WCZ6060B4	32	35
				4TC*3036A4	25	25
				4TC*3048A4	25	25
				4TC*3060A4	32	35
				4WC*3036A4	31	35
				4WC*3048A4	34	35
	BAYHTRV420			4WC*3060A4	42	45
				4WCZ6036B4	34	35
				4WCZ6048B4	38	40
				4WCZ6060B4	39	40
				4TC*3048A4	33	35
				4TC*3060A4	40	40
				4WC*3048A4	42	45
				4WC*3060A4	50	50
				4WCZ6048B4	45	45
				4WCZ6060B4	47	50

INSTALLER OF THE SINGLE POWER ENTRY KIT MUST CHECK THE APPROPRIATE BOX ABOVE TO RECORD THE KIT, HEATER AND UNIT MODEL NUMBERS INSTALLED. POWER SUPPLY VOLTAGE TO UNIT AND HEATER MUST BE IDENTICAL. CHECK THE UNIT AND HEATER NAMEPLATES TO DETERMINE THE CORRECT POWER SUPPLY VOLTAGE. CHECK HEATER NAMEPLATE TO DETERMINE HEATER KW AND CURRENT RATING. MINIMUM INSTALLATION CLEARANCE TO COMBUSTIBLE MATERIAL WHEN ELECTRIC HEATERS ARE INSTALLED: UNIT CABINET-0", PLENUM-0" AND OUTLET DUCT-0" EXCEPT FOR BAYHTRV415 AND BAYHTRV420 WHEN INSTALLED IN 4WCZ6060A4 UNIT ONLY. MINIMUM INSTALLATION CLEARANCE TO COMBUSTIBLE MATERIAL WHEN BAYHTRV415 AND BAYHTRV420 ARE INSTALLED IN 4WCZ6060A4 UNIT ONLY: UNIT CABINET - 1", PLENUM - 1" AND OUTLET DUCT - 1". * INDICATES AN ALPHA CHARACTER IN THE FOURTH DIGIT OF THE UNIT MODEL.

PLACE ABOVE LABEL OVER "ELECTRIC HEATER INSTALLED" NAMEPLATE ON UNIT D932299P02

Trane U.S. Inc. Manufacturer of American Standard HVAC SINGLE POINT POWER KIT UL RATING REQUIREMENTS							
SINGLE POWER ENTRY KIT	HEATER MODEL	CHECK	UNIT MODEL	MIN. CKT. AMP.	MAX. OVER CURRENT PROTECT. DEVICE		
BAYSPEK061	BAYHTRV305		4WCY4036B3	35	40		
				4WCY4048A3	41	50	
				4WCY4060A3	46	60	
				4WCZ6036B3	35	40	
				4WCZ6048B3	40	50	
				4WCZ6060B3	44	50	
				4WCZ5036E3	35	40	
				4WCZ5048E3	40	50	
				4WCZ5060E3	44	50	
				4WCY4036B3	44	50	
	BAYHTRV308			4WCY4048A3	50	60	
				4WCY4060A3	55	60	
				4WCZ6036B3	44	50	
				4WCZ6048B3	49	50	
				4WCZ6060B3	53	60	
				4WCZ5036E3	44	50	
				4WCZ5048E3	49	50	
				4WCZ5060E3	53	60	
				4WCY4036B3	50	50	
				4WCY4048A3	56	60	
	BAYHTRV310			4WCZ6036B3	50	50	
				4WCZ6048B3	55	60	
				4WCZ5036E3	50	50	
				4WCZ5048E3	55	60	
				4WCZ5060E3	59	60	
				4WCZ6036B4	19	20	
				4WCZ6048B4	23	25	
				4WCZ6060B4	24	25	
				4WCZ5036E4	19	20	
				4WCZ5048E4	23	25	
	BAYHTRV405			4WCZ5060E4	24	25	
				4WCZ6036B4	24	25	
				4WCZ6048B4	27	30	
				4WCZ6060B4	29	30	
				4WCZ5036E4	24	25	
				4WCZ5048E4	27	30	
				4WCZ5060E4	29	30	
				4WCZ6036B4	30	30	
				4WCZ6048B4	32	35	
				4WCZ6060B4	32	35	
	BAYHTRV410			4WCZ5036E4	27	30	
				4WCZ5048E4	30	30	
				4WCZ5060E4	32	35	
				4WCZ6036B4	34	35	
				4WCZ6048B4	38	40	
				4WCZ6060B4	39	40	
				4WCZ5036E4	34	35	
				4WCZ5048E4	38	40	
				4WCZ5060E4	39	40	
				4WCZ6048B4	45	45	
	BAYHTRV415			4WCZ6060B4	47	50	
				4WCZ5048E4	45	45	
				4WCZ5060E4	47	50	
		BAYHTRV420			4WCZ5060E4	47	50

INSTALLER OF THE SINGLE POWER ENTRY KIT MUST CHECK THE APPROPRIATE BOX ABOVE TO RECORD THE KIT, HEATER AND UNIT MODEL NUMBERS INSTALLED. POWER SUPPLY VOLTAGE TO UNIT AND HEATER MUST BE IDENTICAL. CHECK THE UNIT AND HEATER NAMEPLATES TO DETERMINE THE CORRECT POWER SUPPLY VOLTAGE. CHECK HEATER NAMEPLATE TO DETERMINE HEATER KW AND CURRENT RATING. MINIMUM INSTALLATION CLEARANCE TO COMBUSTIBLE MATERIAL WHEN ELECTRIC HEATERS ARE INSTALLED: UNIT CABINET-0", PLENUM-0" AND OUTLET DUCT-0" EXCEPT FOR BAYHTRV415 WHEN INSTALLED IN 4WCZ6060A4 OR 4WCZ5060E4 UNIT ONLY. MINIMUM INSTALLATION CLEARANCE TO COMBUSTIBLE MATERIAL WHEN BAYHTRV415 IS INSTALLED IN 4WCZ6060A4 OR 4WCZ5060E4 UNIT ONLY: UNIT CABINET - 1", PLENUM - 1" AND OUTLET DUCT - 1". * INDICATES AN ALPHA CHARACTER IN THE FOURTH DIGIT OF THE UNIT MODEL.

PLACE ABOVE LABEL OVER "ELECTRIC HEATER INSTALLED" NAMEPLATE ON UNIT D932299P16

BAYSPEK Nameplates with Heater Models

Figure 4. BAYSPEK061, 062

Trane U.S. Inc. Manufacturer of American Standard HVAC SINGLE POINT POWER KIT UL RATING REQUIREMENTS						
SINGLE POWER ENTRY KIT	HEATER MODEL	CHECK	UNIT MODEL	MIN CKT. AMP.	MAX OVER CURRENT PROTECT DEVICE	
BAYSPEK062	BAYHTRV105		4WCC4048AI	58	70	
			4WCC4060AI	65	80	
			4WCY4042AI	58	70	
			4WCY4048BI	62	70	
			4WCY4060BI	66	80	
			4WCY5048AI	61	70	
			4WCY5060AI	68	90	
			4WCZ6048BI	60	70	
			4WCZ6060BI	68	90	
			4WCC4024AI	60	60	
	BAYHTRV108			4WCC4030AI	64	70
				4WCC4036AI	65	70
				4WCC4042AI	69	70
				4WCC4048AI	73	80
				4WCC4060AI	80	90
				4WCY4030AI	61	70
				4WCY4036BI	66	70
				4WCY4042AI	73	80
				4WCY4048BI	77	90
				4WCY4060BI	82	90
				4WCY5030AI	64	70
				4WCY5036AI	66	70
				4WCY5042AI	70	70
				4WCY5048AI	76	80
				4WCY5060AI	83	100
				4WCZ6024AI	61	70
				4WCZ6036BI	66	70
				4WCZ6048BI	76	80
				4WCZ6060BI	84	100
		BAYHTRV110			4TCC4060AI	61
				4TCY4042BI	61	70
				4TCY4048BI	61	70
				4TCY4060AI	61	70
				4TCY5042AI	61	70
				4TCY5048AI	61	70
				4TCY5060AI	61	70
				4WCC4024AI	71	80
				4WCC4030AI	75	80
				4WCC4036AI	76	80
				4WCC4042AI	80	80
				4WCC4048AI	84	90
				4WCC4060AI	91	100
				4WCY4024AI	68	70
				4WCY4030AI	71	80
				4WCY4036BI	77	80
				4WCY4042AI	84	90
				4WCY4048BI	88	90
				4WCY4060BI	92	100
				4WCY5024AI	70	70
				4WCY5030AI	75	80
			4WCY5036AI	77	80	
			4WCY5042AI	81	90	
			4WCY5048AI	87	90	
			4WCY5060AI	95	110	
			4WCZ6024AI	72	80	
			4WCZ6036BI	76	80	
			4WCZ6048BI	86	90	
			4WCZ6060BI	94	110	

INSTALLER OF THE SINGLE POWER ENTRY KIT MUST CHECK THE APPROPRIATE BOX ABOVE TO RECORD THE KIT, HEATER AND UNIT MODEL NUMBERS INSTALLED. POWER SUPPLY VOLTAGE TO UNIT AND HEATER MUST BE IDENTICAL. CHECK THE UNIT AND HEATER NAMEPLATES TO DETERMINE THE CORRECT POWER SUPPLY VOLTAGE. CHECK HEATER NAMEPLATE TO DETERMINE HEATER KW AND CURRENT RATING. MINIMUM INSTALLATION CLEARANCE TO COMBUSTIBLE MATERIAL WHEN ELECTRIC HEATERS ARE INSTALLED: UNIT CABINET-0", PLENUM-0" AND OUTLET DUCT- 0". SHORT-CIRCUIT CURRENT 5kA RMS SYMMETRICAL, 240V MAXIMUM.
* INDICATES AN ALPHA CHARACTER IN THE FOURTH DIGIT OF THE UNIT MODEL.

PLACE ABOVE LABEL OVER "ELECTRIC HEATER INSTALLED" NAMEPLATE ON UNIT D932299P15

Trane U.S. Inc. Manufacturer of American Standard HVAC SINGLE POINT POWER KIT UL RATING REQUIREMENTS					
SINGLE POWER ENTRY KIT	HEATER MODEL	CHECK	UNIT MODEL	MIN CKT AMP.	MAX OVER CURRENT PROTECT DEVICE
BAYSPEK061	BAYHTRV305		5WCZ5036A3	35	40
			5WCZ5048A3	38	45
			5WCZ5060A3	42	50
	BAYHTRG305		5WCC4036A3	35	40
			5WCC4048A3	39	45
			5WCC4060A3	44	50
	BAYHTRV308		5WCZ5036A3	44	50
			5WCZ5048A3	47	50
			5WCZ5060A3	51	60
	BAYHTRG308		5WCC4036A3	44	50
			5WCC4048A3	48	50
			5WCC4060A3	53	60
	BAYHTRV310		5WCZ5036A3	50	50
			5WCZ5048A3	53	60
			5WCZ5060A3	57	60
	BAYHTRG310		5WCC4036A3	50	50
			5WCC4048A3	54	60
			5WCC4060A3	59	60
	BAYHTRV405		5WCZ5036A4	19	20
			5WCZ5048A4	23	25
			5WCZ5060A4	25	30
	BAYHTRG405		5WCC4036A4	19	20
			5WCC4048A4	22	25
			5WCC4060A4	25	30
	BAYHTRV408		5WCZ5036A4	24	25
			5WCZ5048A4	28	30
			5WCZ5060A4	29	30
	BAYHTRG408		5WCC4036A4	24	25
			5WCC4048A4	27	30
			5WCC4060A4	29	30
	BAYHTRV410		5WCZ5036A4	27	30
			5WCZ5048A4	31	35
			5WCZ5060A4	32	35
	BAYHTRG410		5WCC4036A4	27	30
			5WCC4048A4	30	30
			5WCC4060A4	32	35
	BAYHTRV415		5WCZ5036A4	34	35
			5WCZ5048A4	38	40
			5WCZ5060A4	40	40
	BAYHTRG415		5WCC4036A4	34	35
			5WCC4048A4	37	40
			5WCC4060A4	40	45
	BAYHTRV420		5WCZ4048A4	46	50
			5WCZ4060A4	47	50
	BAYHTRG420		5WCC4048A4	45	45
			5WCC4060A4	47	50

INSTALLER OF THE SINGLE POWER ENTRY KIT MUST CHECK THE APPROPRIATE BOX ABOVE TO RECORD THE KIT, HEATER AND UNIT MODEL NUMBERS INSTALLED. POWER SUPPLY VOLTAGE TO UNIT AND HEATER MUST BE IDENTICAL. CHECK THE UNIT AND HEATER NAMEPLATES TO DETERMINE THE CORRECT POWER SUPPLY VOLTAGE. CHECK HEATER NAMEPLATE TO DETERMINE HEATER KW AND CURRENT RATING. MINIMUM INSTALLATION CLEARANCE TO COMBUSTIBLE MATERIAL WHEN ELECTRIC HEATERS ARE INSTALLED: UNIT CABINET-0", PLENUM-0" AND OUTLET DUCT-0"
* INDICATES AN ALPHA CHARACTER IN THE FOURTH DIGIT OF THE UNIT MODEL.

PLACE ABOVE LABEL OVER "ELECTRIC HEATER INSTALLED" NAMEPLATE ON UNIT D932299P21

BAYSPEK Nameplates with Heater Models

Figure 5. BAYSPEK060, 063, 064

Trane U.S. Inc. Manufacturer of American Standard HVAC SINGLE POINT POWER KIT UL RATING REQUIREMENTS									
SINGLE POWER ENTRY KIT	HEATER MODEL	C H E C K	UNIT MODEL	MIN CKT. AMP.	MAX OVER CURRENT PROTECT DEVICE				
BAYSPEK063	BAYHTRV115	C H E C K	4TCC4030A1	83	90				
			4TCC4036A1	83	90				
			4TCC4042A1	86	90				
			4TCC4048A1	86	90				
			4TCC4060A1	87	90				
			4TCY4030A1	84	90				
			4TCY4036B1	84	90				
			4TCY4042B1	87	90				
			4TCY4048B1	87	90				
			4TCY4060A1	87	90				
			4TCY5030A1	84	90				
			4TCY5036A1	84	90				
			4TCY5042A1	87	90				
			4TCY5048A1	87	90				
			4TCY5060A1	87	90				
			4WCC4030A1	101	110				
			4WCC4036A1	102	110				
			4WCC4042A1	106	110				
			4WCC4048A1	110	110				
			4WCC4060A1	117	125				
			4WCY4030A1	97	100				
			4WCY4036B1	103	110				
			4WCY4042A1	110	110				
			4WCY4048B1	114	125				
	4WCY4060B1	118	125						
	4WCY5030A1	102	110						
	4WCY5036A1	103	110						
	4WCY5042A1	107	110						
	4WCY5048A1	113	125						
	4WCY5060A1	121	125						
	4WCZ6036B1	102	110						
	4WCZ6048B1	112	125						
	4WCZ6060B1	120	125						
	BAYHTRV120	C H E C K	4TCC4048A1	112	125				
			4TCC4060A1	113	125				
			4TCY4042B1	113	125				
			4TCY4048B1	113	125				
			4TCY4060A1	113	125				
			4TCY5042A1	112	125				
			4TCY5048A1	112	125				
			4TCY5060A1	112	125				
			4WCC4042A1	132	150				
			4WCC4048A1	136	150				
			4WCC4060A1	143	150				
			4WCY4042A1	136	150				
			4WCY4048B1	140	150				
			4WCY4060B1	144	150				
			4WCY5042A1	132	150				
4WCY5048A1			138	150					
4WCY5060A1			146	150					
4WCZ6048B1			138	150					
4WCZ6060B1			146	150					
BAYSPEK064			BAYHTRV315	C H E C K	4WC*3036A3	63	70		
					4WC*3048A3	69	70		
					4WC*3060A3	77	80		
					4WCY4036A3	65	70		
					4WCY4048A3	71	80		
	4WCY4060A3	76			80				
	4WCZ6036B3	65			70				
	4WCZ6048B3	70			70				
	4WCZ6060B3	74			80				
	4TC*3048A3	65			70				
	4TC*3060A3	70			70				
	4TCY4048A3	69			70				
	4TCY4060A3	69	70						
	4WC*3048A3	84	90						
	4WC*3060A3	92	100						
	4WCY4048A3	86	90						
	4WCY4060A3	91	100						
	4WCZ6048B3	85	90						
	4WCZ6060B3	89	90						
	BAYHTRV320	C H E C K	4WC*3060A3		62	70			
			4WCY4060A3		61	70			
			4WCZ6060B3		59	70			
			BAYSPEK065		BAYHTRV310	C H E C K	4TCC4030E1	83	90
							4TCC4036E1	86	90
4TCC4042E1				86			90		
4TCC4048E1				86			90		
4TCC4060E1				87			90		
4WCC4030E1				101			110		
4WCC4036E1				102			110		
4WCC4042E1				106			110		
4WCC4048E1				110			110		
4WCC4060E1	117	125							
4WCZ5036E1	102	110							
4WCZ5048E1	112	125							
4WCZ5060E1	120	125							
4TCC4048E1	112	125							
4TCC4060E1	113	125							
4WCC4042E1	132	150							
4WCC4048E1	136	150							
4WCC4060E1	143	150							
4WCZ5048E1	138	150							
4WCZ5060E1	146	150							

PLACE ABOVE LABEL OVER "ELECTRIC HEATER INSTALLED" NAMEPLATE ON UNIT D932299P10

Trane U.S. Inc. Manufacturer of American Standard HVAC SINGLE POINT POWER KIT UL RATING REQUIREMENTS							
SINGLE POWER ENTRY KIT	HEATER MODEL	C H E C K	UNIT MODEL	MIN CKT. AMP.	MAX OVER CURRENT PROTECT DEVICE		
BAYSPEK060	BAYHTRG105	C H E C K	5TCC4024A1	29	30		
			5TCC4030A1	31	35		
			5TCC4036A1	34	40		
			5TCC4042A1	34	40		
			5TCC4048A1	36	50		
			5TCC4060A1	41	60		
			5WCC4024A1	45	50		
			5WCC4030A1	47	50		
			5WCC4036A1	52	60		
			5WCC4042A1	57	70		
			5WCC4048A1	57	70		
			5WCC5024A1	44	45		
			5WCZ5030A1	49	50		
			5WCZ5036A1	49	50		
			5WCZ5042A1	56	60		
			5WCZ5048A1	57	60		
			A5PA3024A1	29	30		
			A5PA3030A1	31	35		
			A5PA3036A1	34	40		
			A5PA3042A1	34	40		
			A5PA3048A1	36	50		
			A5PA3060A1	41	60		
			A5PH3024A1	45	50		
			A5PH3030A1	47	50		
			A5PH3036A1	52	60		
			A5PH3042A1	57	70		
			BAYHTRG108	C H E C K	5TCC4024A1	45	45
					5TCC4030A1	47	50
					5TCC4036A1	49	50
					5TCC4042A1	49	50
	5TCC4048A1				49	50	
	5TCC4060A1				51	60	
	A5PA3024A1				45	45	
	A5PA3030A1				47	50	
	A5PA3036A1				49	50	
	A5PA3042A1				49	50	
	A5PA3048A1				49	50	
	A5PA3060A1				51	60	
	BAYHTRG110		C H E C K	5WCC5024A1	59	60	
				5TCC4024A1	56	60	
				5TCC4030A1	57	60	
				5TCC4036A1	60	60	
				5TCC4042A1	60	60	
				5TCC4048A1	60	60	
				A5PA3024A1	56	60	
				A5PA3030A1	57	60	
				A5PA3036A1	60	60	
				A5PA3042A1	60	60	
				A5PA3048A1	60	60	
				A5PA3060A1	60	60	

INSTALLER OF THE SINGLE POWER ENTRY KIT MUST CHECK THE APPROPRIATE BOX ABOVE TO RECORD THE KIT, HEATER, AND UNIT MODEL NUMBERS INSTALLED. POWER SUPPLY VOLTAGE TO UNIT AND HEATER MUST BE IDENTICAL. CHECK THE UNIT AND HEATER NAMEPLATES TO DETERMINE THE CORRECT POWER SUPPLY VOLTAGE. CHECK HEATER NAMEPLATE TO DETERMINE HEATER KW AND CURRENT RATING. MINIMUM INSTALLATION CLEARANCE TO COMBUSTIBLE MATERIAL WHEN ELECTRIC HEATERS ARE INSTALLED: UNIT CABINET-0", PLENUM-0" AND OUTLET DUCT- 0". * INDICATES AN ALPHA CHARACTER IN THE FOURTH DIGIT OF THE UNIT MODEL.

PLACE ABOVE LABEL OVER "ELECTRIC HEATER INSTALLED" NAMEPLATE ON UNIT D932299P20

Trane U.S. Inc. Manufacturer of American Standard HVAC SINGLE POINT POWER KIT UL RATING REQUIREMENTS						
SINGLE POWER ENTRY KIT	HEATER MODEL	C H E C K	UNIT MODEL	MIN CKT. AMP.	MAX OVER CURRENT PROTECT DEVICE	
BAYSPEK063	BAYHTRV115	C H E C K	4TCC4030E1	83	90	
			4TCC4036E1	86	90	
			4TCC4042E1	86	90	
			4TCC4048E1	86	90	
			4TCC4060E1	87	90	
			4WCC4030E1	101	110	
			4WCC4036E1	102	110	
			4WCC4042E1	106	110	
			4WCC4048E1	110	110	
			4WCC4060E1	117	125	
			4WCZ5036E1	102	110	
			4WCZ5048E1	112	125	
	4WCZ5060E1		120	125		
	BAYHTRV120		C H E C K	4TCC4048E1	112	125
				4TCC4060E1	113	125
				4WCC4042E1	132	150
				4WCC4048E1	136	150
				4WCC4060E1	143	150
				4WCZ5048E1	138	150
				4WCZ5060E1	146	150

INSTALLER OF THE SINGLE POWER ENTRY KIT MUST CHECK THE APPROPRIATE BOX ABOVE TO RECORD THE KIT, HEATER, AND UNIT MODEL NUMBERS INSTALLED. POWER SUPPLY VOLTAGE TO UNIT AND HEATER MUST BE IDENTICAL. CHECK THE UNIT AND HEATER NAMEPLATES TO DETERMINE THE CORRECT POWER SUPPLY VOLTAGE. CHECK HEATER NAMEPLATE TO DETERMINE HEATER KW AND CURRENT RATING. MINIMUM INSTALLATION CLEARANCE TO COMBUSTIBLE MATERIAL WHEN ELECTRIC HEATERS ARE INSTALLED: UNIT CABINET-0", PLENUM-0" AND OUTLET DUCT- 0". * INDICATES AN ALPHA CHARACTER IN THE FOURTH DIGIT OF THE UNIT MODEL.

PLACE ABOVE LABEL OVER "ELECTRIC HEATER INSTALLED" NAMEPLATE ON UNIT D932299P18

BAYSPEK Nameplates with Heater Models

Figure 6. BAYSPEK062, 063, 064, 065

Trane U.S. Inc. Manufacturer of American Standard HVAC		SINGLE POINT POWER KIT UL RATING REQUIREMENTS				
SINGLE POWER ENTRY KIT	HEATER MODEL	CHECK	UNIT MODEL	MIN. CKT AMP.	MAX. OVER CURRENT PROTECT DEVICE	
BAYSPEK062	BAYHTRG105		5WCC4048A1	62	70	
			5WCC4060A1	67	80	
			5WCZ5060A1	66	80	
			A5PH3048A1	62	70	
			A5PH3060A1	67	80	
			5WCC4024A1	60	60	
			5WCC4030A1	62	70	
			5WCC4036A1	67	70	
			5WCC4042A1	72	80	
			5WCC4048A1	77	90	
			5WCC4060A1	83	100	
			5WCZ5030A1	65	70	
		5WCZ5036A1	65	70		
		BAYHTRG108		5WCZ5042A1	72	80
			5WCZ5048A1	72	80	
			5WCZ5060A1	82	90	
			A5PH3024A1	60	60	
			A5PH3030A1	62	70	
			A5PH3036A1	67	70	
			A5PH3042A1	72	80	
			A5PH3048A1	77	90	
			A5PH3060A1	83	100	
			5TCC4060A1	61	70	
			5WCC4024A1	71	80	
			5WCC4030A1	73	80	
		5WCC4036A1	78	80		
		5WCC4042A1	83	90		
		5WCC4048A1	88	90		
		5WCC4060A1	93	100		
		5WCZ5024A1	70	70		
		5WCZ5030A1	75	80		
		5WCZ5036A1	75	80		
		5WCZ5042A1	83	90		
		5WCZ5048A1	83	90		
		5WCZ5060A1	92	100		
		A5PA3060A1	61	70		
		A5PH3024A1	71	80		
		A5PH3030A1	73	80		
		A5PH3036A1	78	80		
		A5PH3042A1	83	90		
		A5PH3048A1	88	100		
		A5PH3060A1	93	100		
	INSTALLER OF THE SINGLE POWER ENTRY KIT MUST CHECK THE APPROPRIATE BOX ABOVE TO RECORD THE KIT, HEATER AND UNIT MODEL NUMBERS INSTALLED. POWER SUPPLY VOLTAGE TO UNIT AND HEATER MUST BE IDENTICAL. CHECK THE UNIT AND HEATER NAMEPLATES TO DETERMINE THE CORRECT POWER SUPPLY VOLTAGE. CHECK HEATER NAMEPLATE TO DETERMINE HEATER KW AND CURRENT RATING. MINIMUM INSTALLATION CLEARANCE TO COMBUSTIBLE MATERIAL WHEN ELECTRIC HEATERS ARE INSTALLED: UNIT CABINET-0", PLENUM-0" AND OUTLET DUCT-0". * INDICATES AN ALPHA CHARACTER IN THE FOURTH DIGIT OF THE UNIT MODEL.					
	PLACE ABOVE LABEL OVER "ELECTRIC HEATER INSTALLED" NAMEPLATE ON UNIT					D932299P22

Trane U.S. Inc. Manufacturer of American Standard HVAC		SINGLE POINT POWER KIT UL RATING REQUIREMENTS				
SINGLE POWER ENTRY KIT	HEATER MODEL	CHECK	UNIT MODEL	MIN. CKT AMP.	MAX. OVER CURRENT PROTECT DEVICE	
BAYSPEK063	BAYHTRG115		5TCC4030A1	83	90	
			5TCC4036A1	86	90	
			5TCC4042A1	86	90	
			5TCC4048A1	86	90	
			5TCC4060A1	87	90	
			5WCC4030A1	99	100	
			5WCC4036A1	104	110	
			5WCC4042A1	109	110	
			5WCC4048A1	114	125	
			5WCC4060A1	119	125	
			5WCZ5030A1	101	110	
			5WCZ5036A1	101	110	
			5WCZ5042A1	109	110	
			5WCZ5048A1	109	110	
			5WCZ5060A1	118	125	
			A5PA3030A1	83	90	
			A5PA3036A1	86	90	
			A5PA3042A1	86	90	
			A5PA3048A1	86	90	
			A5PA3060A1	87	90	
			A5PH3030A1	99	100	
			A5PH3036A1	104	110	
			A5PH3042A1	109	110	
			A5PH3048A1	114	125	
		A5PH3060A1	119	125		
		BAYHTRG120		5TCC4048A1	112	125
			5TCC4060A1	113	125	
			5WCC4048A1	140	150	
			5WCC4060A1	145	150	
			5WCZ5042A1	135	150	
			5WCZ5048A1	135	150	
			5WCZ5060A1	144	150	
			A5PA3048A1	112	125	
			A5PA3060A1	113	125	
			A5PH3048A1	140	150	
			A5PH3060A1	145	150	
			BAYHTRV315		5WCZ5036A3	65
		5WCZ5048A3		68	70	
		5WCZ5060A3		72	80	
		5WCC4036A3		65	70	
		5WCC4048A3		69	70	
		5WCC4060A3		74	80	
		BAYHTRV320		5WCZ5048A3	83	90
			5WCZ5060A3	87	90	
			5WCC4048A3	84	90	
		BAYHTRG320		5WCC4060A3	89	90
			5WCC4060A3	59	60	
	BAYSPEK065	BAYHTRG310		5WCC4060A3	59	60
INSTALLER OF THE SINGLE POWER ENTRY KIT MUST CHECK THE APPROPRIATE BOX ABOVE TO RECORD THE KIT, HEATER AND UNIT MODEL NUMBERS INSTALLED. POWER SUPPLY VOLTAGE TO UNIT AND HEATER MUST BE IDENTICAL. CHECK THE UNIT AND HEATER NAMEPLATES TO DETERMINE THE CORRECT POWER SUPPLY VOLTAGE. CHECK HEATER NAMEPLATE TO DETERMINE HEATER KW AND CURRENT RATING. MINIMUM INSTALLATION CLEARANCE TO COMBUSTIBLE MATERIAL WHEN ELECTRIC HEATERS ARE INSTALLED: UNIT CABINET-0", PLENUM-0" AND OUTLET DUCT-0". * INDICATES AN ALPHA CHARACTER IN THE FOURTH DIGIT OF THE UNIT MODEL.						
PLACE ABOVE LABEL OVER "ELECTRIC HEATER INSTALLED" NAMEPLATE ON UNIT					D932299P23	

Trane U.S. Inc. Manufacturer of American Standard HVAC		SINGLE POINT POWER KIT UL RATING REQUIREMENTS				
SINGLE POWER ENTRY KIT	HEATER MODEL	CHECK	UNIT MODEL	MIN. CKT AMP.	MAX. OVER CURRENT PROTECT DEVICE	
BAYSPEK064	BAYHTRV315		4WCY4036B3	65	70	
			4WCY4048A3	71	80	
			4WCY4060A3	76	80	
			4WCZ6036B3	65	70	
			4WCZ6048B3	70	70	
			4WCZ6060B3	74	80	
			4WCZ5036E3	65	70	
			4WCZ5048E3	70	70	
			4WCZ5060E3	74	80	
		BAYHTRV320		4WCY4048A3	86	90
			4WCY4060A3	91	100	
			4WCZ6048B3	85	90	
			4WCZ6060B3	89	90	
			4WCZ5048E3	85	90	
			4WCZ5060E3	89	90	
			4WCY4060A3	61	70	
			4WCZ6060B3	59	70	
			4WCZ5060E3	59	70	
BAYSPEK065	BAYHTRV310		4WCY4060A3	61	70	
			4WCZ6060B3	59	70	
			4WCZ5060E3	59	70	
INSTALLER OF THE SINGLE POWER ENTRY KIT MUST CHECK THE APPROPRIATE BOX ABOVE TO RECORD THE KIT, HEATER AND UNIT MODEL NUMBERS INSTALLED. POWER SUPPLY VOLTAGE TO UNIT AND HEATER MUST BE IDENTICAL. CHECK THE UNIT AND HEATER NAMEPLATES TO DETERMINE THE CORRECT POWER SUPPLY VOLTAGE. CHECK HEATER NAMEPLATE TO DETERMINE HEATER KW AND CURRENT RATING. MINIMUM INSTALLATION CLEARANCE TO COMBUSTIBLE MATERIAL WHEN ELECTRIC HEATERS ARE INSTALLED: UNIT CABINET-0", PLENUM-0" AND OUTLET DUCT-0". SHORT-CIRCUIT CURRENT 5KA RMS SYMMETRICAL, 240V MAXIMUM. * INDICATES AN ALPHA CHARACTER IN THE FOURTH DIGIT OF THE UNIT MODEL.						
PLACE ABOVE LABEL OVER "ELECTRIC HEATER INSTALLED" NAMEPLATE ON UNIT					D932299P17	

BAYSPEK Nameplates with Heater Models

Figure 7. BAYSPEK060

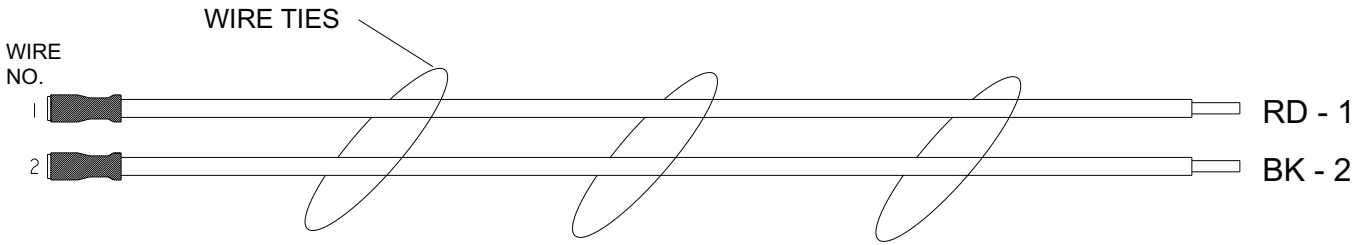


Figure 8. BAYSPEK060 WIRING

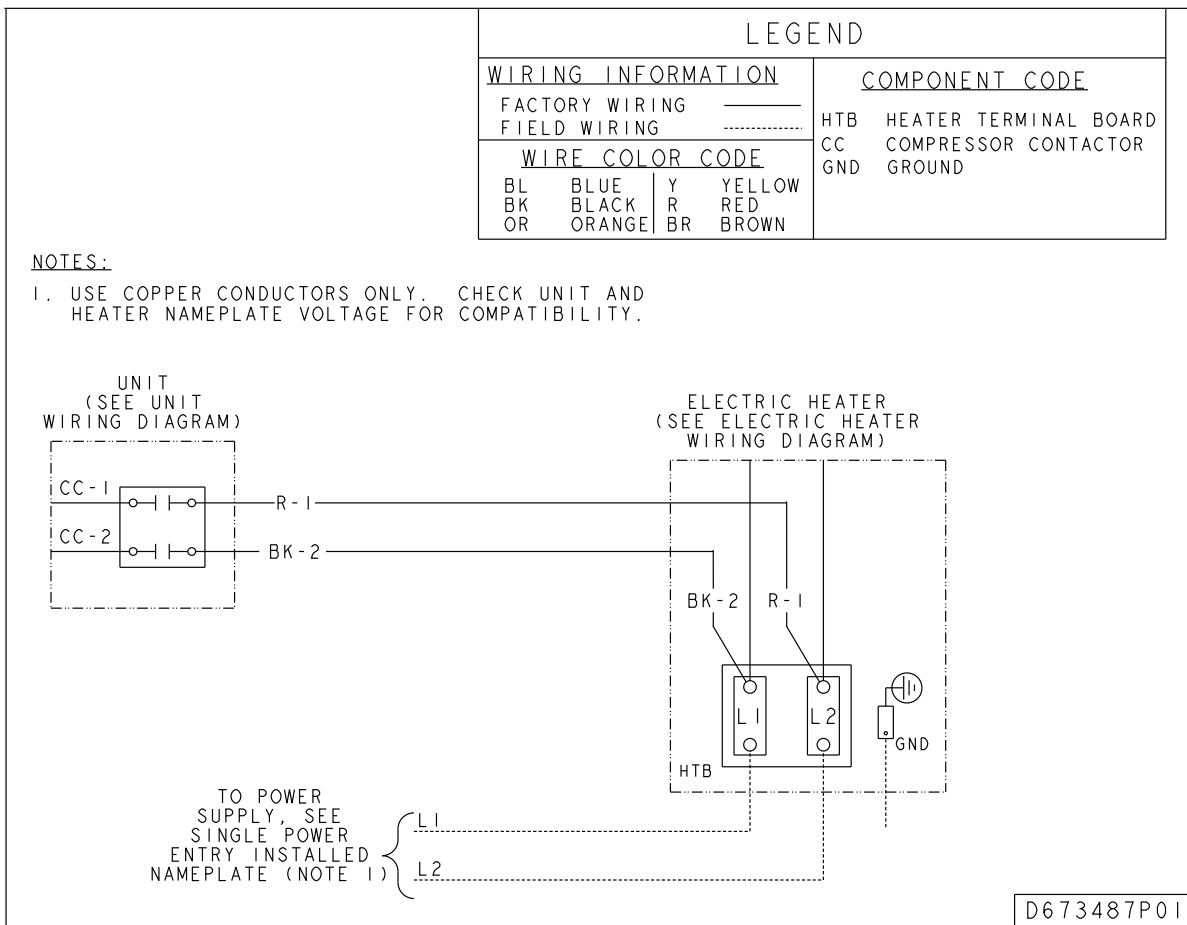


Figure 9. BAYSPEK061

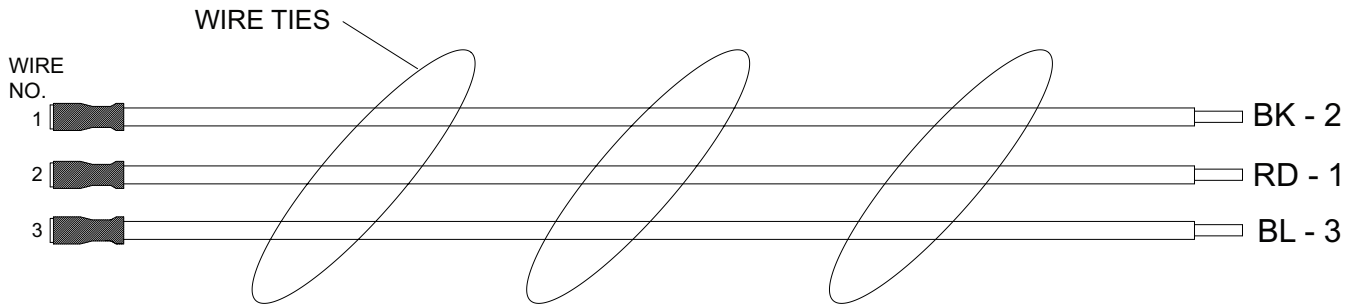


Figure 10. BAYSPEK061 WIRING

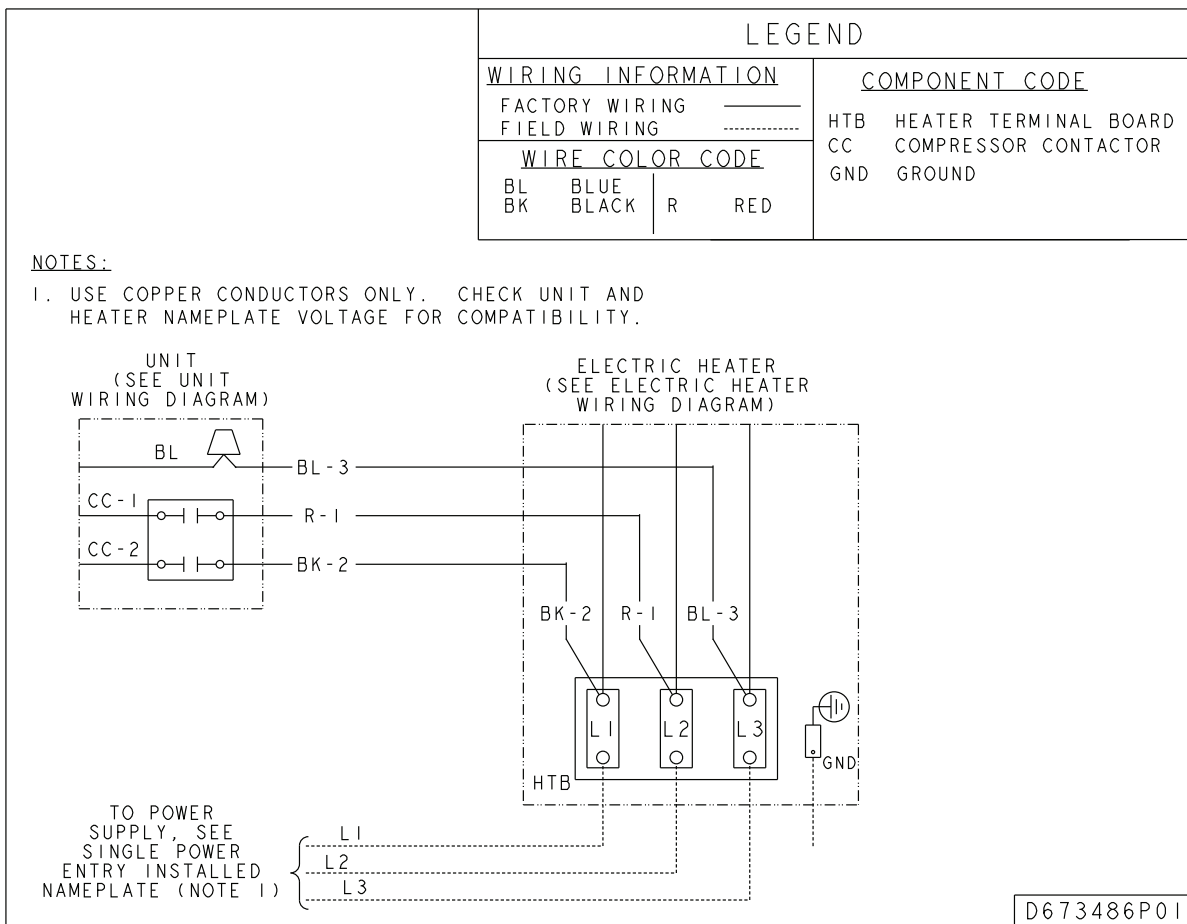


Figure 11. BAYSPEK062

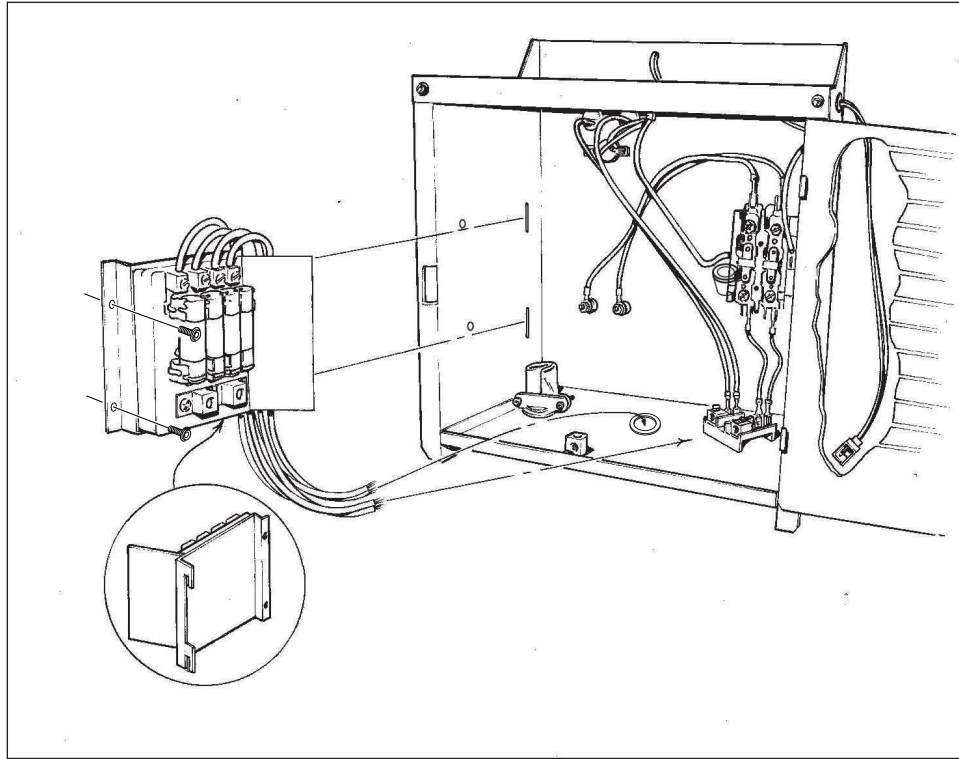


Figure 12. BAYSPEK062 WIRING

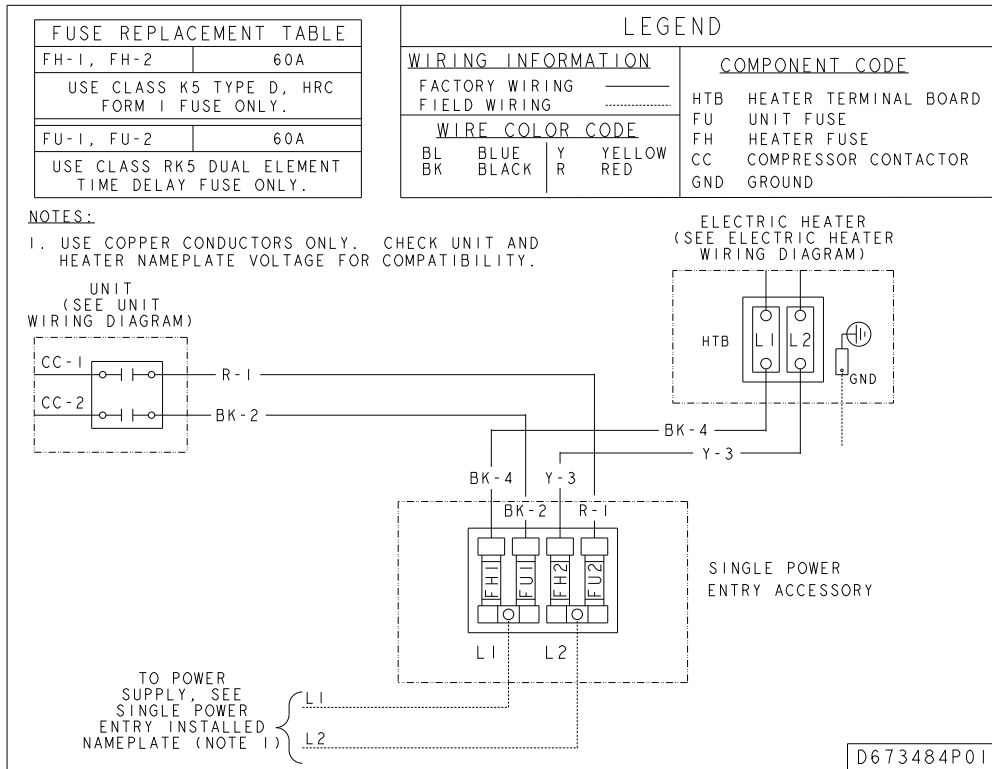


Figure 13. BAYSPEK063

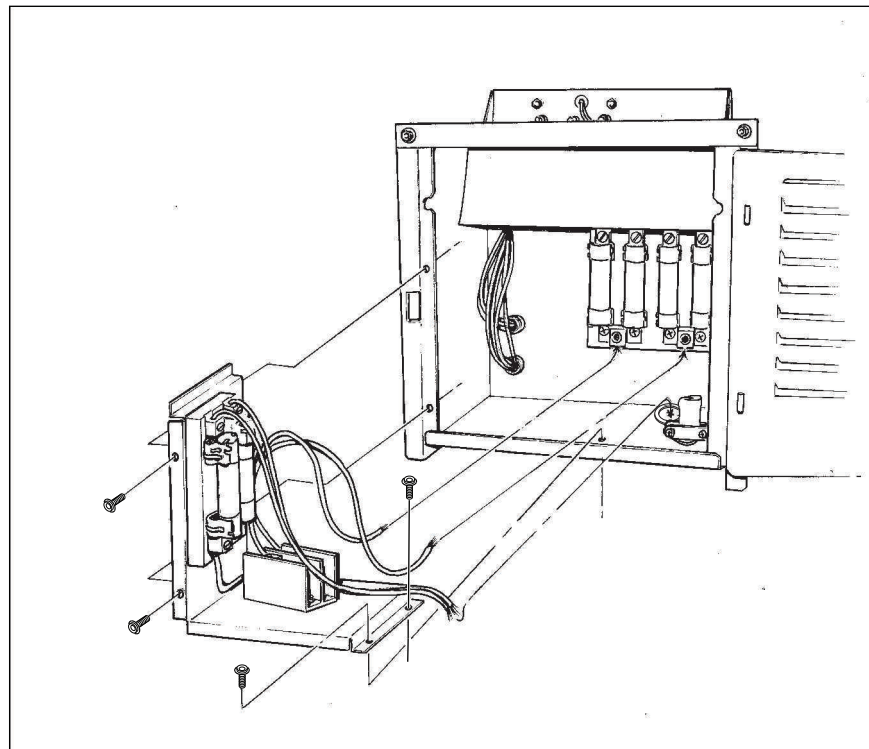


Figure 14. BAYSPEK063 Wiring

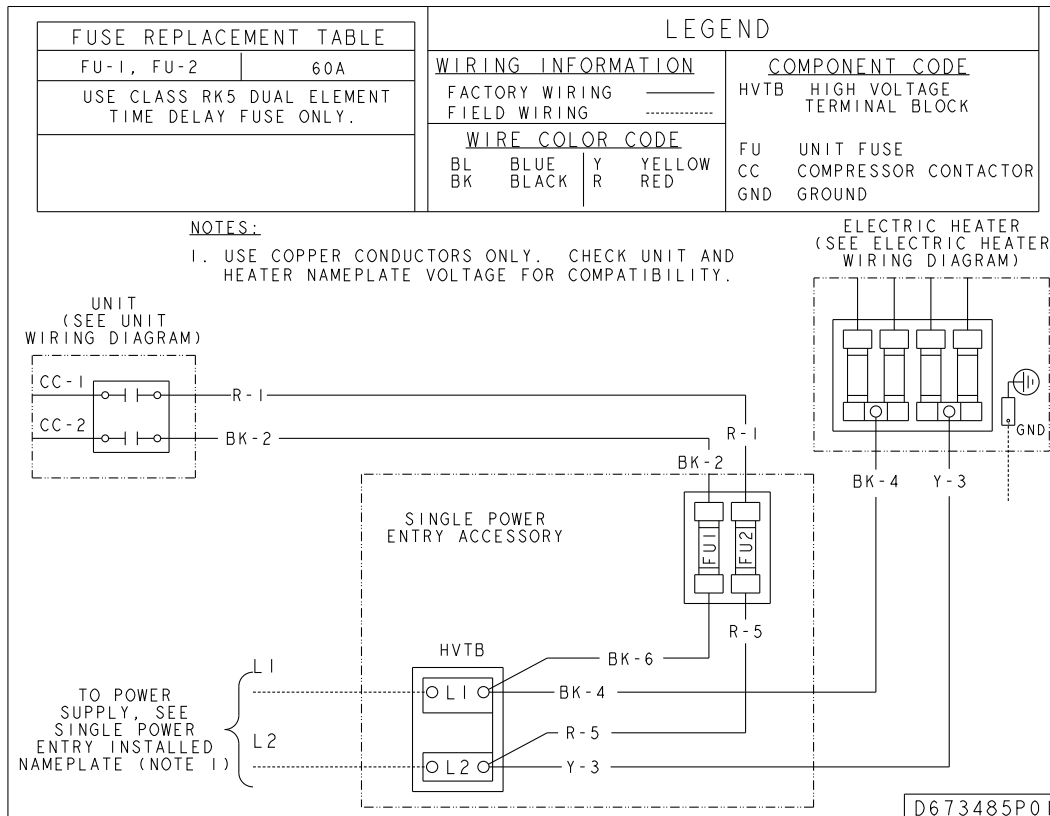


Figure 15. BAYSPEK064

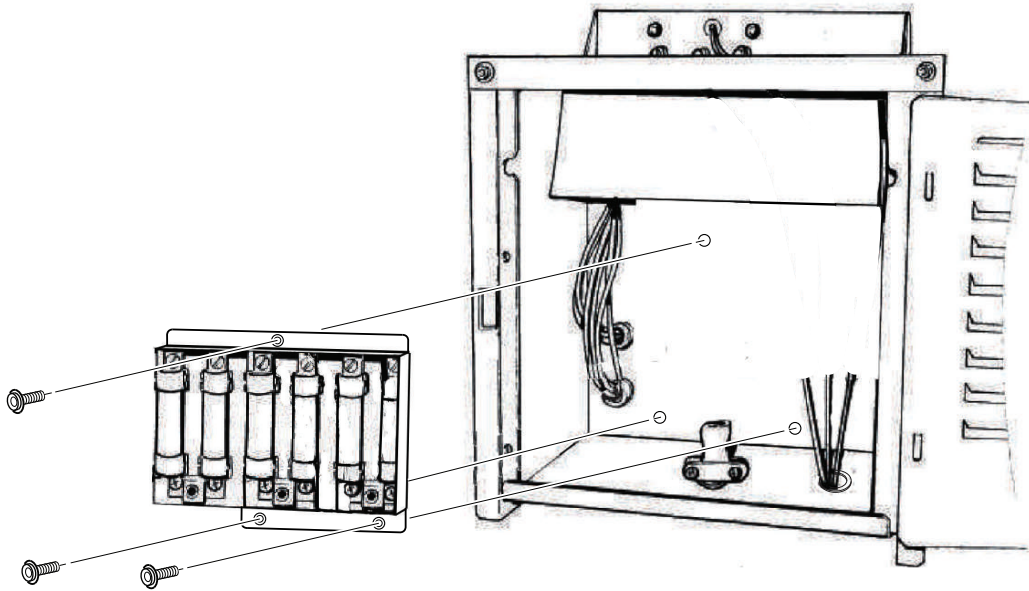


Figure 16. BAYSPEK064 – Wiring

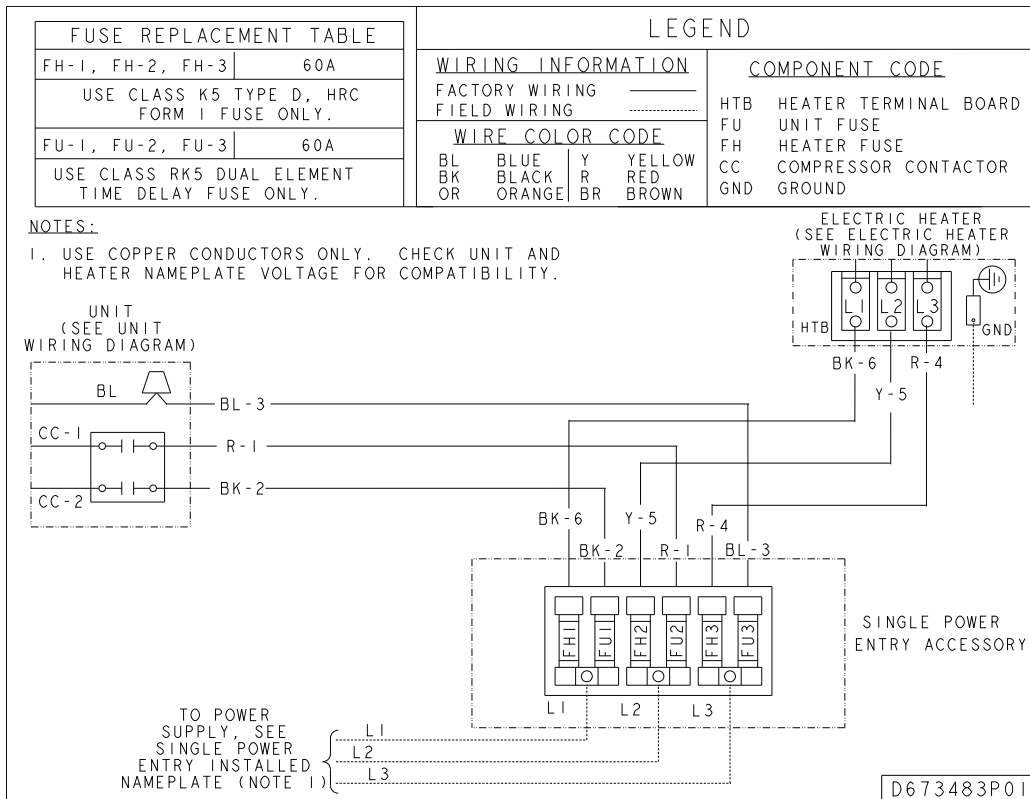


Figure 17. BAYSPEK065

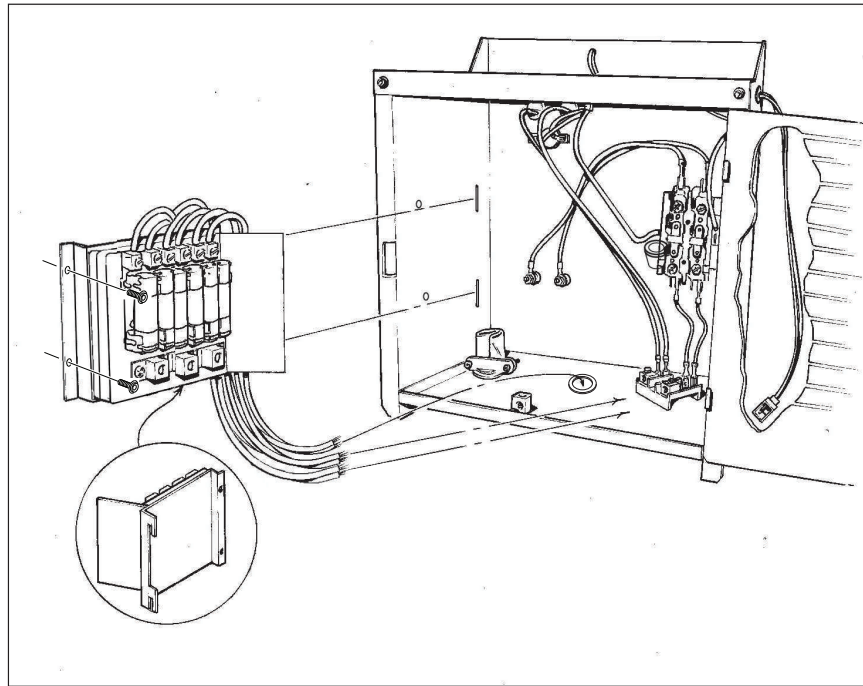
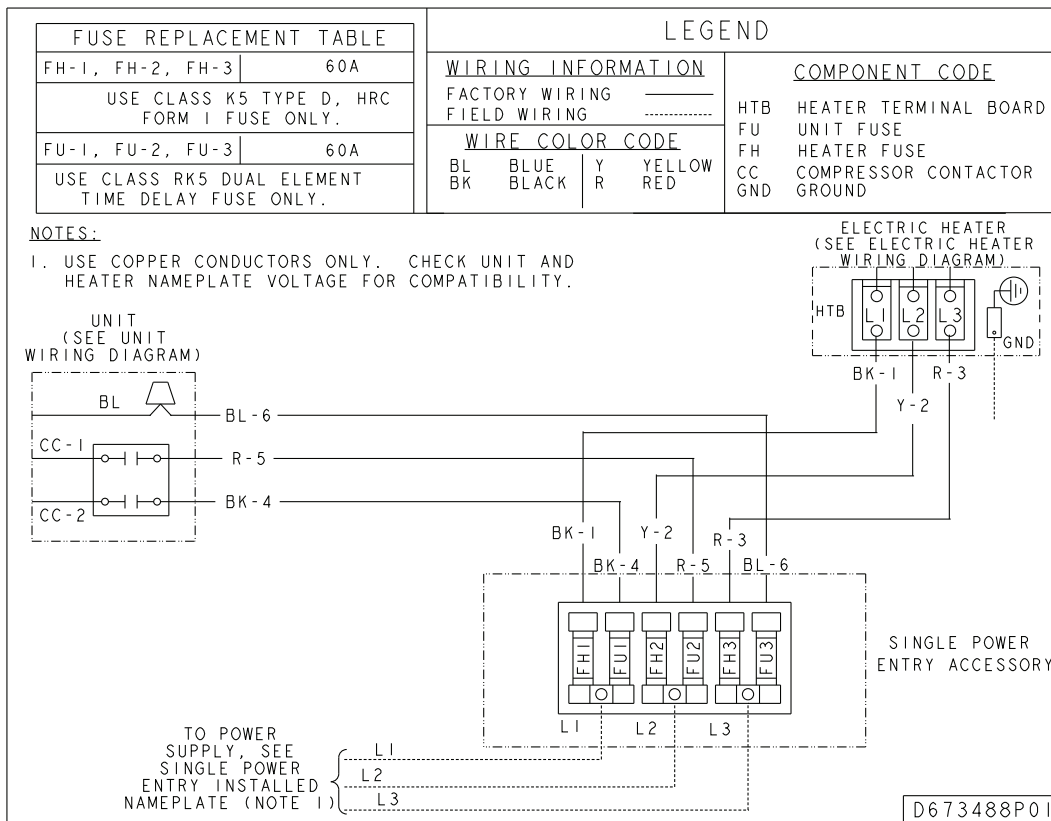


Figure 18. BAYSPEK065-Wiring



About Trane and American Standard Heating and Air Conditioning

Trane and American Standard create comfortable, energy efficient indoor environments for residential applications. For more information, please visit www.trane.com or www.americanstandardair.com.



The manufacturer has a policy of continuous data improvement and it reserves the right to change design and specifications without notice. We are committed to using environmentally conscious print practices.

18-HB20D5-1K-EN 04 Oct 2024

Supersedes 18-HB20D5-1J-EN (November 2023)

©2023