

Installer's Guide

Single Point Entry Kit

BAYSPEK060
BAYSPEK061
BAYSPEK062

BAYSPEK063
BAYSPEK064
BAYSPEK065

SAFETY WARNING

Only qualified personnel should install and service the equipment. The installation, starting up, and servicing of heating, ventilating, and air-conditioning equipment can be hazardous and requires specific knowledge and training. Improperly installed, adjusted or altered equipment by an unqualified person could result in death or serious injury. When working on the equipment, observe all precautions in the literature and on the tags, stickers, and labels that are attached to the equipment.

SAFETY SECTION

Important — This document contains a wiring diagram, a parts list, and service information. This is customer property and is to remain with this unit. Please return to service information pack upon completion of work.

⚠ WARNING

HAZARDOUS VOLTAGE!

Failure to follow this Warning could result in property damage, severe personal injury, or death.

Disconnect all electric power, including remote disconnects before servicing. Follow proper lockout/tagout procedures to ensure the power cannot be inadvertently energized.

⚠ WARNING

SAFETY AND ELECTRICAL HAZARD!

Failure to follow this Warning could result in property damage, severe personal injury, or death.

These servicing instructions are for use by qualified personnel only. To reduce the risk of electrical shock, do not perform any servicing other than that contained in these operating instructions unless you are qualified to do so.

⚠ CAUTION

GROUNDING REQUIRED!

Failure to inspect or use proper service tools may result in equipment damage or personal injury. Reconnect all grounding devices. All parts of this product that are capable of conducting electrical current are grounded. If grounding wires, screws, straps, clips, nuts, or washers used to complete a path to ground are removed for service, they must be returned to their original position and properly fastened.

⚠ WARNING

UNIT CONTAINS R-410A REFRIGERANT!

Failure to use proper service tools may result in equipment damage or personal injury.

R-410A operating pressure exceeds the limit of R-22. Proper service equipment is required. Service using only R-410A Refrigerant and approved POE compressor oil.

⚠ WARNING

SAFETY HAZARD!

Operating the unit without the access panels properly installed may result in severe personal injury or death.

Do not operate the unit without the evaporator fan access panel or evaporator coil access panel in place.

⚠ WARNING

WARNING!

This product can expose you to chemicals including lead, which are known to the State of California to cause cancer and birth defects or other reproductive harm. For more information go to www.P65Warnings.ca.gov.

Important: Wear appropriate gloves, arm sleeve protectors and eye protection when servicing or maintaining this equipment.

Important: Air filters and media wheels or plates shall meet the test requirements in UL 900.

Table of Contents

General Information 4

BAYSPEK with Heater Models 5

General Information

Follow these instructions to install the Single-Point Power Entry Kit (SPEK) in single packaged units.

1. Check for any shipping damage, and if any, report it to the carrier immediately.
2. Check the single power entry kit nameplate to ensure available power supply complies with the particular single power entry kit, heater and unit model being used.
3. The field electrical connections and wiring must be done in accordance with the "National Electrical Code" and must comply with local electrical codes.

Install Single Power Entry Kit

1. Remove the Control/Heat panel.
2. Open the louvered Heater Control box door and mount the SPEK inside the Heater Control box. Secure the SPEK with the screws provided in the kit. See illustrations and wiring diagrams throughout this guide.
3. Insert the included grommet in the hole in the heater Control box base that leads to the unit Control/Heater compartment. The unit power wires provided with the SPEK will pass through this grommet and be routed up to the unit contactor.
4. Make all electrical connections to the unit and heater in accordance with the appropriate wiring diagram in this instruction and included with the specific SPEK.
5. Place the included SPEK wiring diagram on the inner surface of the Control/Heater access panel next to the unit wiring diagram and extra heater wiring diagram.

Important: The two (2) nameplate labels included with the single power entry kit must be attached to the air conditioning unit or heat pump unit as illustrated in The smaller label **MUST** be placed over the unit rating nameplate to cover the unit only MCA and Fusing. Check the appropriate kit, heaters and unit combination using the tables in this guide.

High Voltage Field Wiring

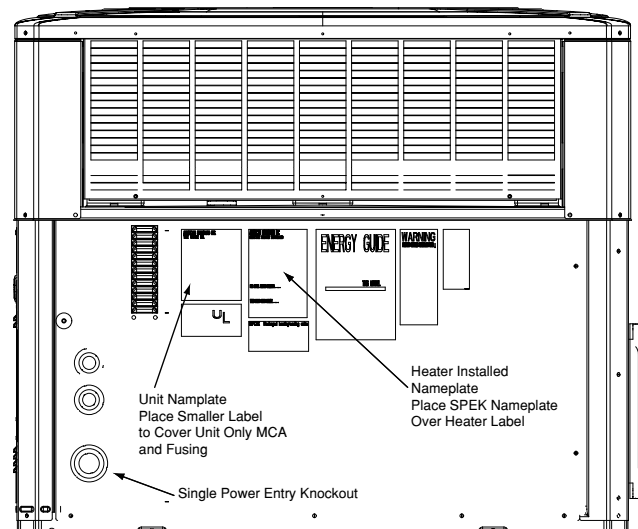
Note: All field wire to be rated 75°C minimum. Maximum field wire size is 2/0 AWG.

1. Check to make certain the proper size fuses are installed per the fuse table (located on the wiring diagram) and the ampacity and max fuse/circuit breaker tables for the particular SPEK being used.
2. Remove the required electrical knockout from the unit conduit panel and route the field wires through the u nit heater section (not the Control Box section).
3. Connect the power supply to the terminal block or fuse block (depending on SPEK kit being used) on the SPEK. See appropriate wiring diagram for hookup connections. Connect the power supply ground wire to the ground lug on the single power entry kit. The BAYSPEK060 and 061 wire terminals connect to the installed heater terminal block on the Heater Control box base to power the unit.
4. Close the Heater/SPEK control box cover.
5. Reinstall the Control/Heat access panel.
6. Apply power to the unit.

Low Voltage Wiring (24 Volts)

All lower voltage connections have been made to the heater via polarized plugs. The low voltage controls are connected to the room thermostat from the air conditioner or heat pump low voltage leads. See the field wiring diagram with the unit.

Figure 1. Single Point Power Entry Kit Label Positions



BAYSPEK with Heater Models

Figure 2. BAYSPEK060

Trane U.S. Inc. Manufacturer of American Standard HVAC SINGLE POINT POWER KIT UL RATING REQUIREMENTS					
SINGLE POWER ENTRY KIT	HEATER MODEL	CHECK	UNIT MODEL	MIN CKT. AMP.	MAX OVER CURRENT PROTECT DEVICE
BAYSPEK060	BAYHTRV105	C H E C K	4TCC4024A1	29	30
			4TCC4030A1	31	35
			4TCC4036A1	31	35
			4TCC4042A1	34	50
			4TCC4048A1	34	50
			4TCC4060A1	35	60
			4TCY4024A1	31	35
			4TCY4030A1	31	35
			4TCY4036B1	31	40
			4TCY4042B1	35	50
			4TCY4048B1	35	50
			4TCY4060A1	42	60
			4TCY5024A1	32	35
			4TCY5030A1	32	35
			4TCY5036A1	32	35
			4TCY5042A1	35	45
			4TCY5048A1	35	50
			4TCY5060A1	44	60
			4WCC4024A1	45	50
			4WCC4030A1	49	50
			4WCC4036A1	50	60
			4WCC4042A1	54	60
			4WCY4024A1	42	45
			4WCY4030A1	45	50
			4WCY4036B1	51	60
			4WCY5024A1	44	45
			4WCY5030A1	49	50
			4WCY5036A1	51	60
			4WCY5042A1	55	60
			4WCZ6024A1	46	50
			4WCZ6036B1	50	60
			4TCC4024A1	44	45
	4TCC4030A1	46	50		
	4TCC4036A1	46	50		
	4TCC4042A1	49	50		
	4TCC4048A1	49	50		
	4TCC4060A1	50	60		
	4TCY4024A1	47	50		
	4TCY4030A1	47	50		
	4TCY4036B1	47	50		
	4TCY4042B1	50	60		
	4TCY4048B1	50	50		
	4TCY4060A1	50	60		
	4TCY5024A1	47	50		
	4TCY5030A1	47	50		
	4TCY5036A1	47	50		
	4TCY5042A1	50	50		
	4TCY5048A1	50	50		
	4TCY5060A1	50	60		
	4WCY4024A1	58	60		
	4WCY5024A1	59	60		
	4TCC4024A1	55	60		
	4TCC4030A1	57	60		
	4TCC4036A1	57	60		
	4TCC4042A1	60	60		
	4TCC4048A1	60	60		
	4TCY4024A1	58	60		
	4TCY4030A1	58	60		
4TCY4036B1	58	60			
4TCY5024A1	58	60			
4TCY5030A1	58	60			
4TCY5036A1	58	60			
INSTALLER OF THE SINGLE POWER ENTRY KIT MUST CHECK THE APPROPRIATE BOX ABOVE TO RECORD THE KIT, HEATER AND UNIT MODEL NUMBERS INSTALLED. POWER SUPPLY VOLTAGE TO UNIT AND HEATER MUST BE IDENTICAL. CHECK THE UNIT AND HEATER NAMEPLATES TO DETERMINE THE CORRECT POWER SUPPLY VOLTAGE. CHECK HEATER NAMEPLATE TO DETERMINE HEATER KW AND CURRENT RATING. MINIMUM INSTALLATION CLEARANCE TO COMBUSTIBLE MATERIAL WHEN ELECTRIC HEATERS ARE INSTALLED: UNIT CABINET-0", PLENUM-0" AND OUTLET DUCT- 0". * INDICATES AN ALPHA CHARACTER IN THE FOURTH DIGIT OF THE UNIT MODEL.					
PLACE ABOVE LABEL OVER "ELECTRIC HEATER INSTALLED" NAMEPLATE ON UNIT D932299P14					

Trane U.S. Inc. Manufacturer of American Standard HVAC SINGLE POINT POWER KIT UL RATING REQUIREMENTS							
SINGLE POWER ENTRY KIT	HEATER MODEL	CHECK	UNIT MODEL	MIN CKT. AMP.	MAX OVER CURRENT PROTECT DEVICE		
BAYSPEK060	BAYHTRV105	C H E C K	4TCC4024E1	29	30		
			4TCC4030E1	31	35		
			4TCC4036E1	34	40		
			4TCC4042E1	34	50		
			4TCC4048E1	34	50		
			4TCC4060E1	35	60		
			4WCC4024E1	47	50		
			4WCC4030E1	49	50		
			4WCC4036E1	50	60		
			4WCC4042E1	54	60		
			4WCZ5024E1	46	50		
			4WCZ5036E1	50	60		
	4TCC4024E1		44	45			
	4TCC4030E1		46	50			
	4TCC4036E1		49	50			
	4TCC4042E1		49	50			
	4TCC4048E1		49	50			
	4TCC4060E1		50	60			
	4TCC4024E1		55	60			
	4TCC4030E1		57	60			
	4TCC4036E1		60	60			
	4TCC4042E1		60	60			
	4TCC4048E1		60	60			
	INSTALLER OF THE SINGLE POWER ENTRY KIT MUST CHECK THE APPROPRIATE BOX ABOVE TO RECORD THE KIT, HEATER AND UNIT MODEL NUMBERS INSTALLED. POWER SUPPLY VOLTAGE TO UNIT AND HEATER MUST BE IDENTICAL. CHECK THE UNIT AND HEATER NAMEPLATES TO DETERMINE THE CORRECT POWER SUPPLY VOLTAGE. CHECK HEATER NAMEPLATE TO DETERMINE HEATER KW AND CURRENT RATING. MINIMUM INSTALLATION CLEARANCE TO COMBUSTIBLE MATERIAL WHEN ELECTRIC HEATERS ARE INSTALLED: UNIT CABINET-0", PLENUM-0" AND OUTLET DUCT- 0". * INDICATES AN ALPHA CHARACTER IN THE FOURTH DIGIT OF THE UNIT MODEL.						
	PLACE ABOVE LABEL OVER "ELECTRIC HEATER INSTALLED" NAMEPLATE ON UNIT D932299P13						

Figure 3. BAYSPEK061

Trane U.S. Inc. American Standard HVAC SINGLE POINT POWER KIT UL RATING REQUIREMENTS					
SINGLE POWER ENTRY KIT	HEATER MODEL	CHECK	UNIT MODEL	MIN. CMT. AMP. / MAX. OVER CURRENT PROTECT DEVICE	
BAYSPEK061	BAYHTRV305		4TC*3036A3	18 30	
			4TC*3048A3	24 35	
			4TC*3060A3	32 45	
			4TCY4036A3	20 30	
			4TCY4048A3	26 40	
			4TCY4060A3	31 45	
			4WC*3036A3	33 40	
			4WC*3048A3	39 50	
			4WC*3060A3	47 60	
			4WCY4036A3	35 40	
	BAYHTRV308			4WCY4048A3	41 50
				4WCY4060A3	46 60
				4WCZ6036B3	35 40
				4WCZ6048B3	40 50
				4WCZ6060B3	44 50
				4TC*3036A3	27 30
				4TC*3048A3	29 35
				4TC*3060A3	34 45
				4TCY4036A3	29 30
				4TCY4048A3	33 40
	BAYHTRV310			4TCY4060A3	33 45
				4WC*3036A3	42 45
				4WC*3048A3	48 50
				4WC*3060A3	56 60
				4WCY4036A3	44 50
				4WCY4048A3	50 60
				4WCY4060A3	55 60
				4WCZ6036B3	44 50
				4WCZ6048B3	49 50
				4WCZ6060B3	53 60
	BAYHTRV315			4TC*3036A3	33 35
				4TC*3048A3	35 35
				4TC*3060A3	40 45
				4TCY4036A3	35 35
				4TCY4048A3	39 40
				4TCY4060A3	39 45
				4WC*3036A3	48 50
				4WC*3048A3	54 60
				4WCY4036A3	50 50
				4WCY4048A3	56 60
	BAYHTRV405			4WCZ6036B3	50 50
				4WCZ6048B3	55 60
				4TC*3036A3	48 50
				4TC*3048A3	50 50
				4TC*3060A3	55 60
				4TCY4036A3	50 50
				4TCY4048A3	54 60
				4TCY4060A3	54 60
				4TC*3036A4	10 15
				4TC*3048A4	12 15
	BAYHTRV408			4TC*3060A4	20 25
				4WC*3036A4	16 20
				4WC*3048A4	19 25
				4WC*3060A4	27 30
				4WCZ6036B4	19 20
				4WCZ6048B4	23 25
				4WCZ6060B4	24 25
				4TC*3036A4	14 15
				4TC*3048A4	15 15
				4TC*3060A4	22 25
	BAYHTRV410			4WC*3036A4	21 25
				4WC*3048A4	24 25
				4WC*3060A4	32 35
				4WCZ6036B4	24 25
				4WCZ6048B4	27 30
				4WCZ6060B4	29 30
				4TC*3036A4	17 20
				4TC*3048A4	18 20
				4TC*3060A4	25 25
				4WC*3036A4	24 25
	BAYHTRV415			4WC*3048A4	27 30
				4WC*3060A4	35 40
				4WCZ6036B4	27 30
				4WCZ6048B4	30 30
				4WCZ6060B4	32 35
				4TC*3036A4	25 25
				4TC*3048A4	25 25
				4TC*3060A4	32 35
				4WC*3036A4	31 35
				4WC*3048A4	34 35
	BAYHTRV420			4WC*3060A4	42 45
				4WCZ6036B4	34 35
				4WCZ6048B4	38 40
				4WCZ6060B4	39 40
				4TC*3048A4	33 35
				4TC*3060A4	40 40
				4WC*3048A4	42 45
				4WC*3060A4	50 50
				4WCZ6048B4	45 45
				4WCZ6060B4	47 50

INSTALLER OF THE SINGLE POWER ENTRY KIT MUST CHECK THE APPROPRIATE BOX ABOVE TO RECORD THE KIT, HEATER AND UNIT MODEL NUMBERS INSTALLED. POWER SUPPLY VOLTAGE TO UNIT AND HEATER MUST BE IDENTICAL. CHECK THE UNIT AND HEATER NAMEPLATES TO DETERMINE THE CORRECT POWER SUPPLY VOLTAGE. CHECK HEATER NAMEPLATE TO DETERMINE HEATER KW AND CURRENT RATING. MINIMUM INSTALLATION CLEARANCE TO COMBUSTIBLE MATERIAL WHEN ELECTRIC HEATERS ARE INSTALLED: UNIT CABINET "0", PLENUM "0" AND OUTLET DUCT "0" EXCEPT FOR BAYHTRV415 AND BAYHTRV420 WHEN INSTALLED IN 4WCZ6060A4 UNIT ONLY; MINIMUM INSTALLATION CLEARANCE TO COMBUSTIBLE MATERIAL WHEN BAYHTRV415 IS INSTALLED IN 4WCZ6060A4 OR 4WCZ5060E4 UNIT ONLY; UNIT CABINET "1", PLENUM "1" AND OUTLET DUCT "1". * INDICATES AN ALPHA CHARACTER IN THE FOURTH DIGIT OF THE UNIT MODEL.

PLACE ABOVE LABEL OVER "ELECTRIC HEATER INSTALLED" NAMEPLATE ON UNIT D932299P02

Trane U.S. Inc. American Standard HVAC SINGLE POINT POWER KIT UL RATING REQUIREMENTS					
SINGLE POWER ENTRY KIT	HEATER MODEL	CHECK	UNIT MODEL	MIN. CMT. AMP. / MAX. OVER CURRENT PROTECT DEVICE	
BAYSPEK061	BAYHTRV305		4WCY4036B3	35 40	
			4WCY4048A3	41 50	
			4WCY4060A3	46 60	
			4WCZ6036B3	35 40	
			4WCZ6048B3	40 50	
			4WCZ6060B3	44 50	
			4WCZ5036E3	35 40	
			4WCZ5048E3	40 50	
			4WCZ5060E3	44 50	
			4WCY4036B3	44 50	
	BAYHTRV308			4WCY4048A3	50 60
				4WCY4060A3	55 60
				4WCZ6036B3	44 50
				4WCZ6048B3	49 50
				4WCZ6060B3	53 60
				4WCZ5036E3	44 50
				4WCZ5048E3	49 50
				4WCZ5060E3	53 60
				4WCY4036B3	50 50
				4WCY4048A3	56 60
	BAYHTRV310			4WCZ6036B3	50 50
				4WCZ6048B3	55 60
				4WCZ5036E3	50 50
				4WCZ5048E3	55 60
				4WCZ6036B4	19 20
				4WCZ6048B4	23 25
				4WCZ6060B4	24 25
				4WCZ5036E4	19 20
				4WCZ5048E4	23 25
				4WCZ5060E4	24 25
	BAYHTRV405			4WCZ6036B4	24 25
				4WCZ6048B4	27 30
				4WCZ6060B4	29 30
				4WCZ5036E4	24 25
				4WCZ5048E4	27 30
				4WCZ5060E4	29 30
				4WCZ6036B4	27 30
				4WCZ6048B4	30 30
				4WCZ6060B4	32 35
				4WCZ5036E4	27 30
	BAYHTRV410			4WCZ5048E4	30 30
				4WCZ5060E4	32 35
				4WCZ6036B4	34 35
				4WCZ6048B4	38 40
				4WCZ6060B4	39 40
				4WCZ5036E4	34 35
				4WCZ5048E4	38 40
				4WCZ5060E4	39 40
				4WCZ6036B4	45 45
				4WCZ6048B4	47 50
	BAYHTRV415			4WCZ5048E4	45 45
				4WCZ5060E4	47 50
				4WCZ6036B4	45 45
				4WCZ6048B4	47 50
				4WCZ6060B4	49 50
				4WCZ5036E4	47 50
				4WCZ5048E4	49 50
				4WCZ5060E4	51 55
				4WCZ6036B4	47 50
				4WCZ6048B4	50 55

INSTALLER OF THE SINGLE POWER ENTRY KIT MUST CHECK THE APPROPRIATE BOX ABOVE TO RECORD THE KIT, HEATER AND UNIT MODEL NUMBERS INSTALLED. POWER SUPPLY VOLTAGE TO UNIT AND HEATER MUST BE IDENTICAL. CHECK THE UNIT AND HEATER NAMEPLATES TO DETERMINE THE CORRECT POWER SUPPLY VOLTAGE. CHECK HEATER NAMEPLATE TO DETERMINE HEATER KW AND CURRENT RATING. MINIMUM INSTALLATION CLEARANCE TO COMBUSTIBLE MATERIAL WHEN ELECTRIC HEATERS ARE INSTALLED: UNIT CABINET "0", PLENUM "0" AND OUTLET DUCT "0" EXCEPT FOR BAYHTRV415 WHEN INSTALLED IN 4WCZ6060A4 OR 4WCZ5060E4 UNIT ONLY; MINIMUM INSTALLATION CLEARANCE TO COMBUSTIBLE MATERIAL WHEN BAYHTRV415 IS INSTALLED IN 4WCZ6060A4 OR 4WCZ5060E4 UNIT ONLY; UNIT CABINET "1", PLENUM "1" AND OUTLET DUCT "1". * INDICATES AN ALPHA CHARACTER IN THE FOURTH DIGIT OF THE UNIT MODEL.

PLACE ABOVE LABEL OVER "ELECTRIC HEATER INSTALLED" NAMEPLATE ON UNIT D932299P16

Figure 4. BAYSPEK062

Trane U.S. Inc. Manufacturer of American Standard HVAC SINGLE POINT POWER KIT UL RATING REQUIREMENTS					
SINGLE POWER ENTRY KIT	HEATER MODEL	CHECK	UNIT MODEL	MIN CKT. AMP.	MAX OVER CURRENT PROTECT DEVICE
BAYSPEK062	BAYHTRV105		4WCC4048AI	58	70
			4WCC4060AI	65	80
			4WCY4042AI	58	70
			4WCY4048BI	62	70
			4WCY4060BI	66	80
			4WCY5048AI	61	70
			4WCY5060AI	68	90
			4WCZ6048BI	60	70
			4WCZ6060BI	68	90
			4WCC4024AI	60	60
	BAYHTRV108		4WCC4030AI	64	70
			4WCC4036AI	65	70
			4WCC4042AI	69	70
			4WCC4048AI	73	80
			4WCC4060AI	80	90
			4WCY4030AI	61	70
			4WCY4036BI	66	70
			4WCY4042AI	73	80
			4WCY4048BI	77	90
			4WCY4060BI	82	90
			4WCY5030AI	64	70
			4WCY5036AI	66	70
			4WCY5042AI	70	70
			4WCY5048AI	76	80
			4WCY5060AI	83	100
			4WCZ6024AI	61	70
			4WCZ6036BI	66	70
			4WCZ6048BI	76	80
			4WCZ6060BI	84	100
			4TCC4060AI	61	70
	BAYHTRV110		4TCY4042BI	61	70
			4TCY4048BI	61	70
			4TCY4060AI	61	70
			4TCY5042AI	61	70
			4TCY5048AI	61	70
			4TCY5060AI	61	70
			4WCC4024AI	71	80
			4WCC4030AI	75	80
			4WCC4036AI	76	80
			4WCC4042AI	80	80
			4WCC4048AI	84	90
			4WCC4060AI	91	100
			4WCY4024AI	68	70
			4WCY4030AI	71	80
			4WCY4036BI	77	80
			4WCY4042AI	84	90
			4WCY4048BI	88	90
			4WCY4060BI	92	100
			4WCY5024AI	70	70
			4WCY5030AI	75	80
4WCY5036AI	77	80			
4WCY5042AI	81	90			
4WCY5048AI	87	90			
4WCY5060AI	95	110			
4WCZ6024AI	72	80			
4WCZ6036BI	76	80			
4WCZ6048BI	86	90			
4WCZ6060BI	94	110			

INSTALLER OF THE SINGLE POWER ENTRY KIT MUST CHECK THE APPROPRIATE BOX ABOVE TO RECORD THE KIT, HEATER AND UNIT MODEL NUMBERS INSTALLED. POWER SUPPLY VOLTAGE TO UNIT AND HEATER MUST BE IDENTICAL. CHECK THE UNIT AND HEATER NAMEPLATES TO DETERMINE THE CORRECT POWER SUPPLY VOLTAGE. CHECK HEATER NAMEPLATE TO DETERMINE HEATER KW AND CURRENT RATING. MINIMUM INSTALLATION CLEARANCE TO COMBUSTIBLE MATERIAL WHEN ELECTRIC HEATERS ARE INSTALLED: UNIT CABINET- 0", PLENUM-0" AND OUTLET DUCT- 0". SHORT-CIRCUIT CURRENT 5ka RMS SYMMETRICAL, 240V MAXIMUM.
* INDICATES AN ALPHA CHARACTER IN THE FOURTH DIGIT OF THE UNIT MODEL.

PLACE ABOVE LABEL OVER "ELECTRIC HEATER INSTALLED" NAMEPLATE ON UNIT D932299P15

Trane U.S. Inc. Manufacturer of American Standard HVAC SINGLE POINT POWER KIT UL RATING REQUIREMENTS					
SINGLE POWER ENTRY KIT	HEATER MODEL	CHECK	UNIT MODEL	MIN CKT. AMP.	MAX OVER CURRENT PROTECT DEVICE
BAYSPEK062	BAYHTRV105		4WCC4048EI	58	70
			4WCC4060EI	65	80
			4WCZ5048EI	60	70
			4WCZ5060EI	68	90
			4WCC4024EI	62	70
			4WCC4030EI	64	70
			4WCC4036EI	65	70
			4WCC4042EI	69	70
			4WCC4048EI	73	80
			4WCC4060EI	80	90
	BAYHTRV108		4WCC4024EI	61	70
			4WCC4030EI	66	70
			4WCZ5048EI	76	80
			4WCZ5060EI	84	100
			4TCC4060EI	61	70
			4WCC4024EI	73	80
			4WCC4030EI	75	80
			4WCC4036EI	76	80
			4WCC4042EI	80	80
			4WCC4048EI	84	90
	BAYHTRV110		4WCC4060EI	91	100
			4WCZ5024EI	72	80
			4WCZ5036EI	76	80
			4WCZ5048EI	86	90
			4WCZ5060EI	94	110

INSTALLER OF THE SINGLE POWER ENTRY KIT MUST CHECK THE APPROPRIATE BOX ABOVE TO RECORD THE KIT, HEATER AND UNIT MODEL NUMBERS INSTALLED. POWER SUPPLY VOLTAGE TO UNIT AND HEATER MUST BE IDENTICAL. CHECK THE UNIT AND HEATER NAMEPLATES TO DETERMINE THE CORRECT POWER SUPPLY VOLTAGE. CHECK HEATER NAMEPLATE TO DETERMINE HEATER KW AND CURRENT RATING. MINIMUM INSTALLATION CLEARANCE TO COMBUSTIBLE MATERIAL WHEN ELECTRIC HEATERS ARE INSTALLED: UNIT CABINET- 0", PLENUM-0" AND OUTLET DUCT- 0". * INDICATES AN ALPHA CHARACTER IN THE FOURTH DIGIT OF THE UNIT MODEL.

PLACE ABOVE LABEL OVER "ELECTRIC HEATER INSTALLED" NAMEPLATE ON UNIT D932299P13

Figure 5. BAYSPEK063, 064 and 065

Trane U.S. Inc. Manufacturer of American Standard HVAC SINGLE POINT POWER KIT UL RATING REQUIREMENTS						
SINGLE POWER ENTRY KIT	HEATER MODEL	CHECK	UNIT MODEL	MIN CKT. AMP.	MAX OVER CURRENT PROTECT DEVICE	
BAYSPEK063	BAYHTRV115		4TCC4030AI	83	90	
			4TCC4036AI	83	90	
			4TCC4042AI	86	90	
			4TCC4048AI	86	90	
			4TCC4060AI	87	90	
			4TCY4030AI	84	90	
			4TCY4036BI	84	90	
			4TCY4042BI	87	90	
			4TCY4048BI	87	90	
			4TCY4060AI	87	90	
			4TCY5030AI	84	90	
			4TCY5036AI	84	90	
			4TCY5042AI	87	90	
			4TCY5048AI	87	90	
			4TCY5060AI	87	90	
			4WCC4030AI	101	110	
			4WCC4036AI	102	110	
			4WCC4042AI	106	110	
			4WCC4048AI	110	110	
			4WCC4060AI	117	125	
			4WCY4030AI	97	100	
			4WCY4036BI	103	110	
			4WCY4042AI	110	110	
			4WCY4048BI	114	125	
		4WCY4060BI	118	125		
		4WCY5030AI	102	110		
		4WCY5036AI	103	110		
		4WCY5042AI	107	110		
		4WCY5048AI	113	125		
		4WCY5060AI	121	125		
		4WCZ6036BI	102	110		
		4WCZ6048BI	112	125		
		4WCZ6060BI	120	125		
		BAYHTRV120		4TCC4048AI	112	125
				4TCC4060AI	113	125
				4TCY4042BI	113	125
				4TCY4048BI	113	125
				4TCY4060AI	113	125
				4TCY5042AI	112	125
				4TCY5048AI	112	125
				4TCY5060AI	112	125
				4WCC4042AI	132	150
				4WCC4048AI	136	150
				4WCC4060AI	143	150
				4WCY4042AI	136	150
			4WCY4048BI	140	150	
			4WCY4060BI	144	150	
			4WCY5042AI	132	150	
		4WCY5048AI	138	150		
		4WCY5060AI	146	150		
		4WCZ6048BI	138	150		
		4WCZ6060BI	146	150		
BAYSPEK064	BAYHTRV315		4WC#3036A3	63	70	
			4WC#3048A3	69	70	
			4WC#3060A3	77	80	
			4WCY4036A3	65	70	
			4WCY4048A3	71	80	
			4WCY4060A3	76	80	
	BAYHTRV320		4WCZ6036B3	65	70	
			4WCZ6048B3	70	70	
			4WCZ6060B3	74	80	
			4TC#3048A3	65	70	
			4TC#3060A3	70	70	
			4TCY4048A3	69	70	
			4TCY4060A3	69	70	
			4WC#3048A3	84	90	
			4WC#3060A3	92	100	
			4WCY4048A3	86	90	
			4WCY4060A3	91	100	
			4WCZ6048B3	85	90	
	4WCZ6060B3	89	90			
BAYSPEK065	BAYHTRV310		4WC#3060A3	62	70	
			4WCY4060A3	61	70	
			4WCZ6060B3	59	70	
			4WCZ6060B3	59	70	

PLACE ABOVE LABEL OVER "ELECTRIC HEATER INSTALLED" NAMEPLATE ON UNIT D932299P10

Trane U.S. Inc. Manufacturer of American Standard HVAC SINGLE POINT POWER KIT UL RATING REQUIREMENTS					
SINGLE POWER ENTRY KIT	HEATER MODEL	CHECK	UNIT MODEL	MIN CKT. AMP.	MAX OVER CURRENT PROTECT DEVICE
BAYSPEK063	BAYHTRV115		4TCC4030E1	83	90
			4TCC4036E1	86	90
			4TCC4042E1	86	90
			4TCC4048E1	86	90
			4TCC4060E1	87	90
			4WCC4030E1	101	110
			4WCC4036E1	102	110
			4WCC4042E1	106	110
			4WCC4048E1	110	110
			4WCC4060E1	117	125
			4WCZ5036E1	102	110
			4WCZ5048E1	112	125
	BAYHTRV120		4WCC4048E1	112	125
			4TCC4048E1	112	125
			4TCC4060E1	113	125
			4WCC4042E1	132	150
			4WCC4048E1	136	150
			4WCC4060E1	143	150
			4WCZ5048E1	138	150
			4WCZ5060E1	146	150

INSTALLER OF THE SINGLE POWER ENTRY KIT MUST CHECK THE APPROPRIATE BOX ABOVE TO RECORD THE KIT, HEATER AND UNIT MODEL NUMBERS INSTALLED. POWER SUPPLY VOLTAGE TO UNIT AND HEATER MUST BE IDENTICAL. CHECK THE UNIT AND HEATER NAMEPLATES TO DETERMINE THE CORRECT POWER SUPPLY VOLTAGE. CHECK HEATER NAMEPLATE TO DETERMINE HEATER KW AND CURRENT RATING. MINIMUM INSTALLATION CLEARANCE TO COMBUSTIBLE MATERIAL WHEN ELECTRIC HEATERS ARE INSTALLED: UNIT CABINET-0", PLENUM-0" AND OUTLET DUCT- 0". * INDICATES AN ALPHA CHARACTER IN THE FOURTH DIGIT OF THE UNIT MODEL.

PLACE ABOVE LABEL OVER "ELECTRIC HEATER INSTALLED" NAMEPLATE ON UNIT D932299P13

Trane U.S. Inc. Manufacturer of American Standard HVAC SINGLE POINT POWER KIT UL RATING REQUIREMENTS					
SINGLE POWER ENTRY KIT	HEATER MODEL	CHECK	UNIT MODEL	MIN CKT. AMP.	MAX OVER CURRENT PROTECT DEVICE
BAYSPEK064	BAYHTRV315		4WCY4036B3	65	70
			4WCY4048A3	71	80
			4WCY4060A3	76	80
			4WCZ6036B3	65	70
			4WCZ6048B3	70	70
			4WCZ6060B3	74	80
	BAYHTRV320		4WCZ5036E3	65	70
			4WCZ5048E3	70	70
			4WCZ5060E3	74	80
			4WCY4048A3	86	90
			4WCY4060A3	91	100
			4WCZ6048B3	85	90
BAYSPEK065	BAYHTRV310		4WCZ6060B3	89	90
			4WCZ5048E3	85	90
			4WCZ5060E3	89	90
			4WCY4060A3	61	70
	4WCZ6060B3	59	70		
	4WCZ5060E3	59	70		

INSTALLER OF THE SINGLE POWER ENTRY KIT MUST CHECK THE APPROPRIATE BOX ABOVE TO RECORD THE KIT, HEATER AND UNIT MODEL NUMBERS INSTALLED. POWER SUPPLY VOLTAGE TO UNIT AND HEATER MUST BE IDENTICAL. CHECK THE UNIT AND HEATER NAMEPLATES TO DETERMINE THE CORRECT POWER SUPPLY VOLTAGE. CHECK HEATER NAMEPLATE TO DETERMINE HEATER KW AND CURRENT RATING. MINIMUM INSTALLATION CLEARANCE TO COMBUSTIBLE MATERIAL WHEN ELECTRIC HEATERS ARE INSTALLED: UNIT CABINET-0", PLENUM-0" AND OUTLET DUCT- 0". SHORT-CIRCUIT CURRENT 5KA RMS SYMMETRICAL, 240V MAXIMUM. * INDICATES AN ALPHA CHARACTER IN THE FOURTH DIGIT OF THE UNIT MODEL.

PLACE ABOVE LABEL OVER "ELECTRIC HEATER INSTALLED" NAMEPLATE ON UNIT D932299P17

Figure 6. BAYSPEK060

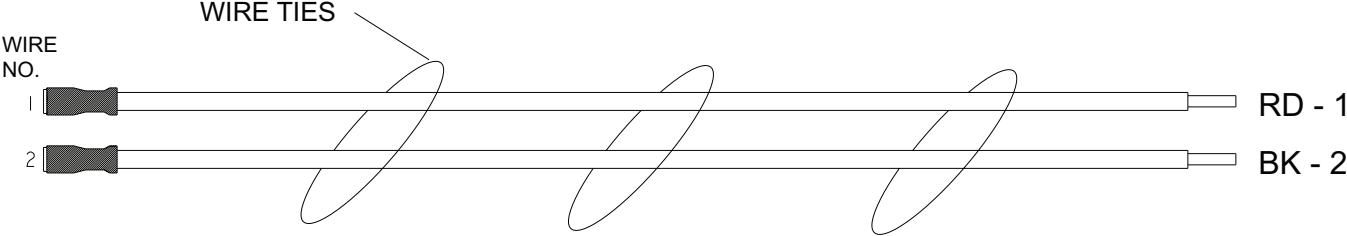


Figure 7. BAYSPEK060 WIRING

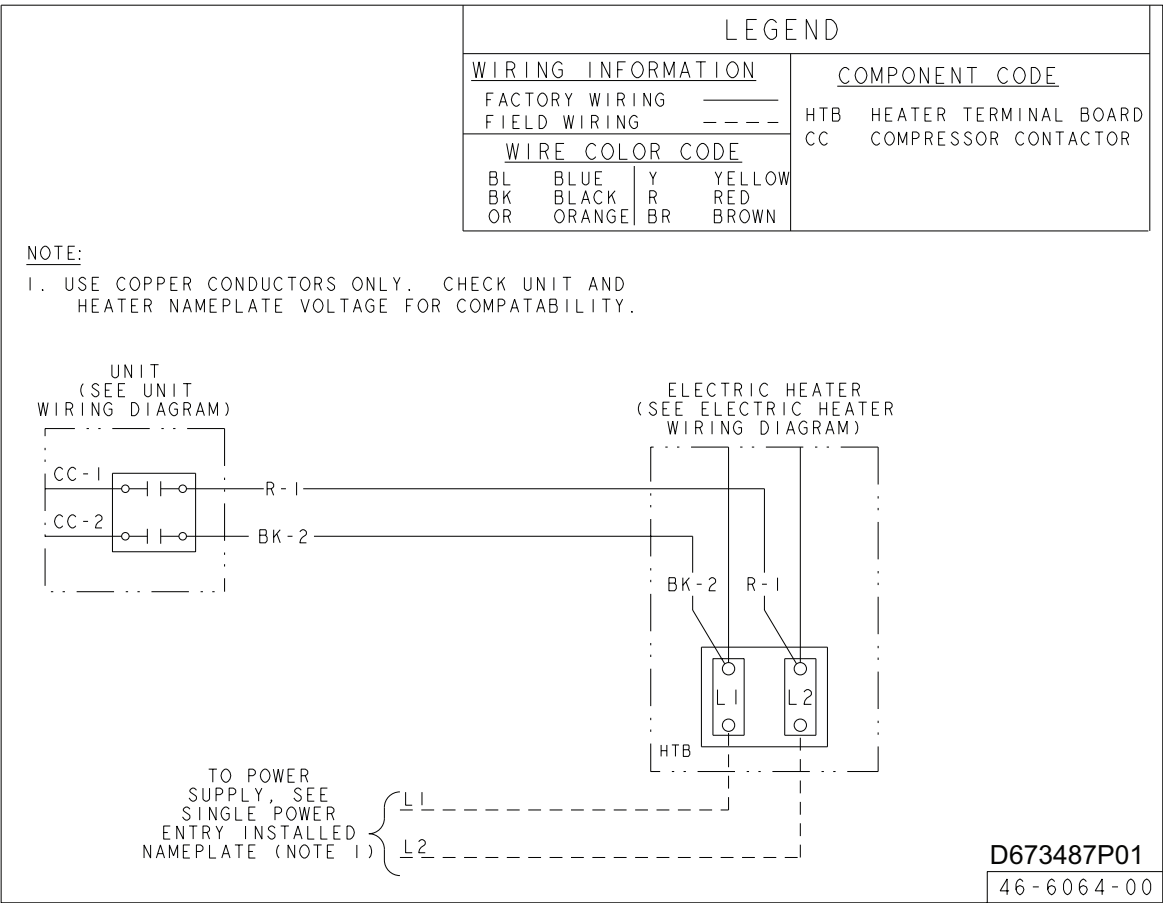


Figure 8. BAYSPEK061

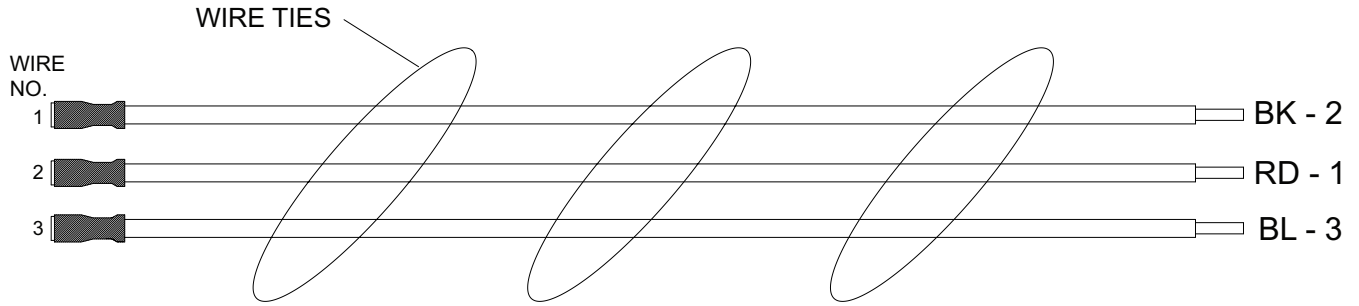


Figure 9. BAYSPEK061 WIRING

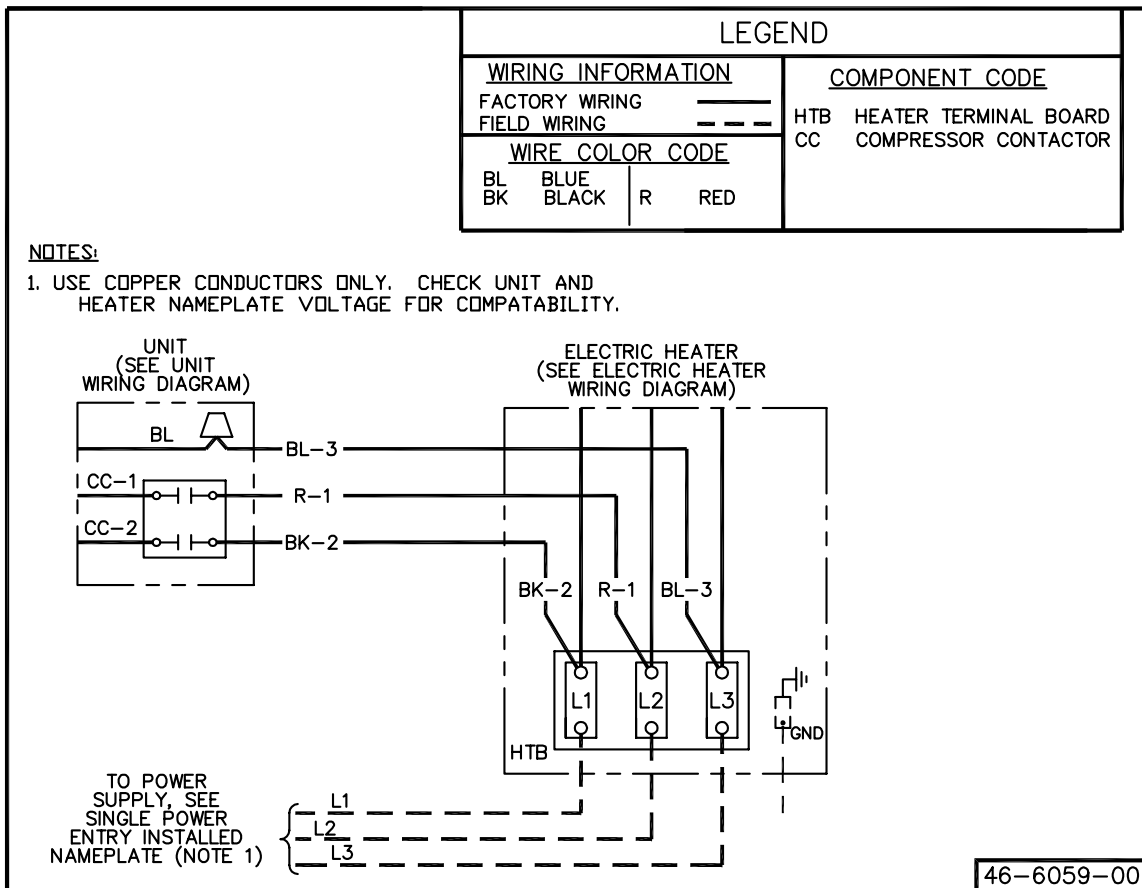


Figure 10. BAYSPEK062

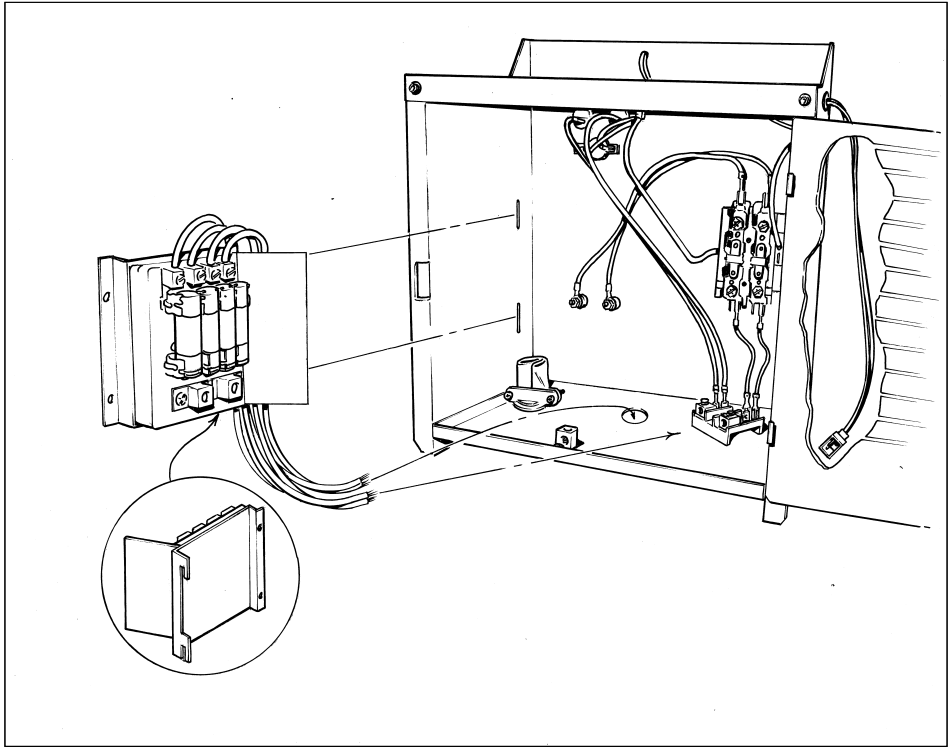


Figure 11. BAYSPEK062 WIRING

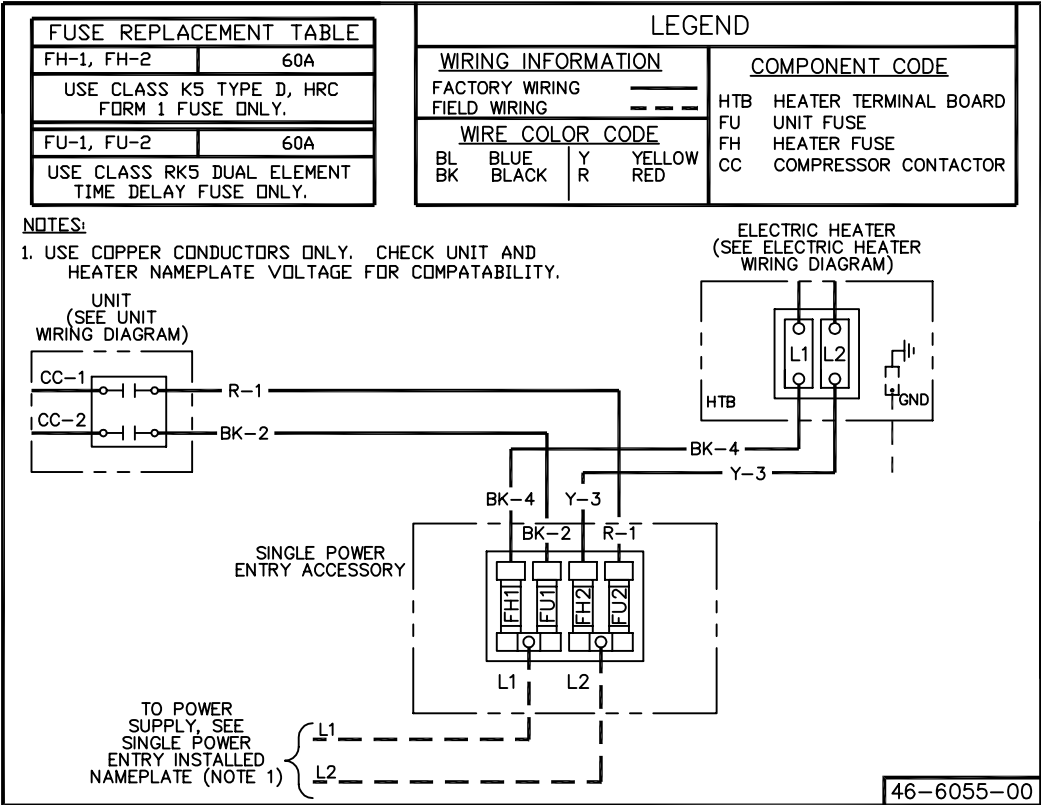


Figure 12. BAYSPEK063

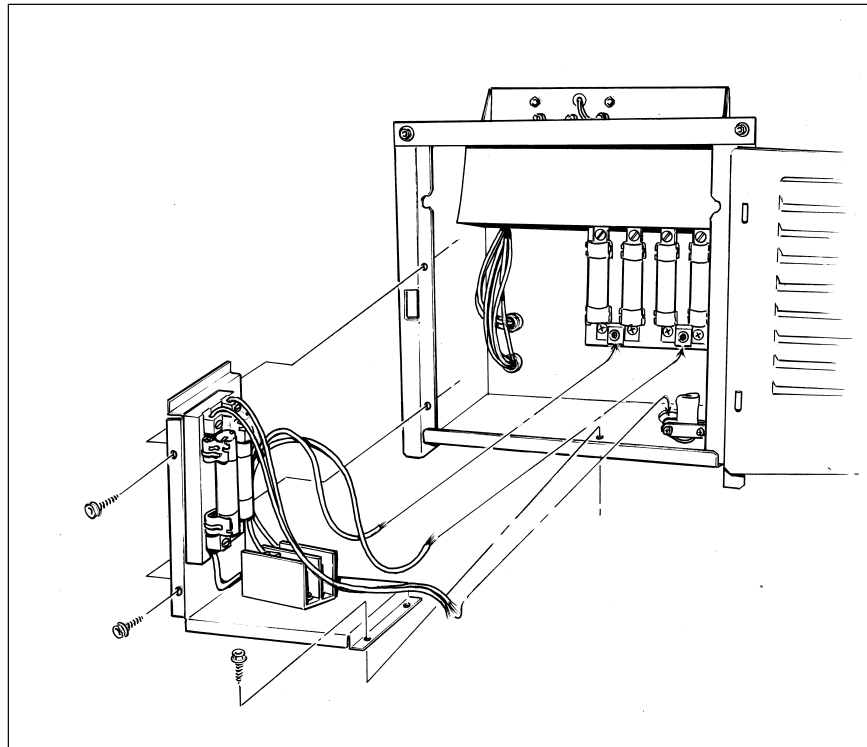


Figure 13. BAYSPEK063 Wiring

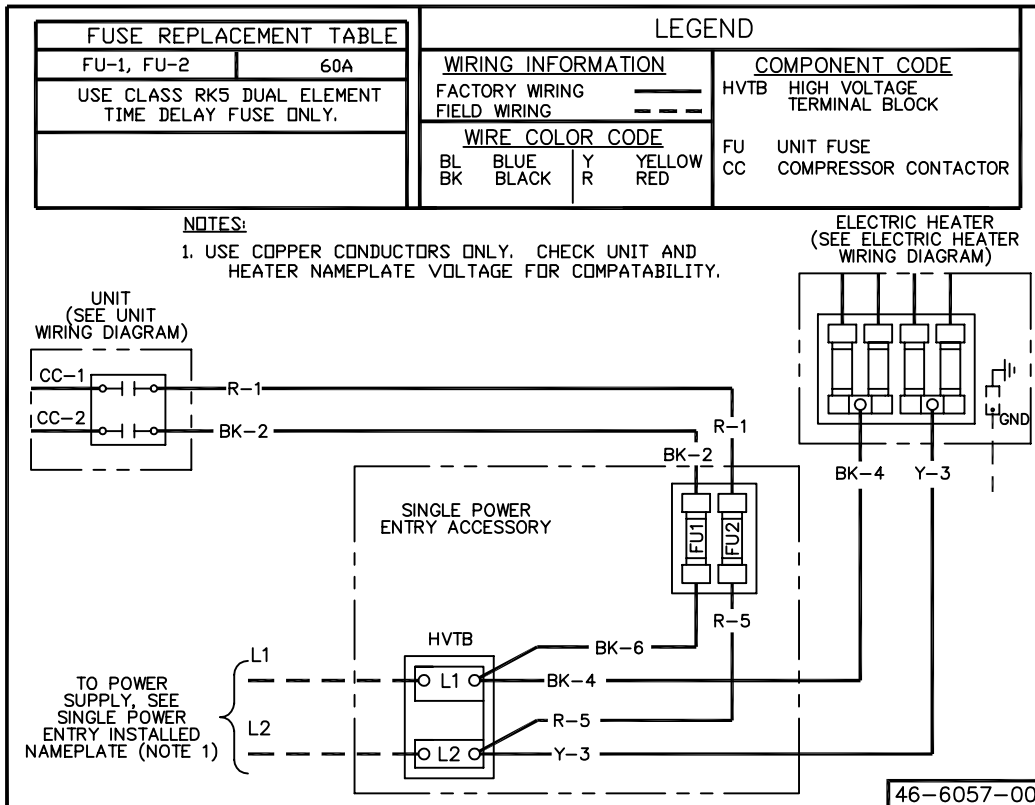


Figure 14. BAYSPEK064

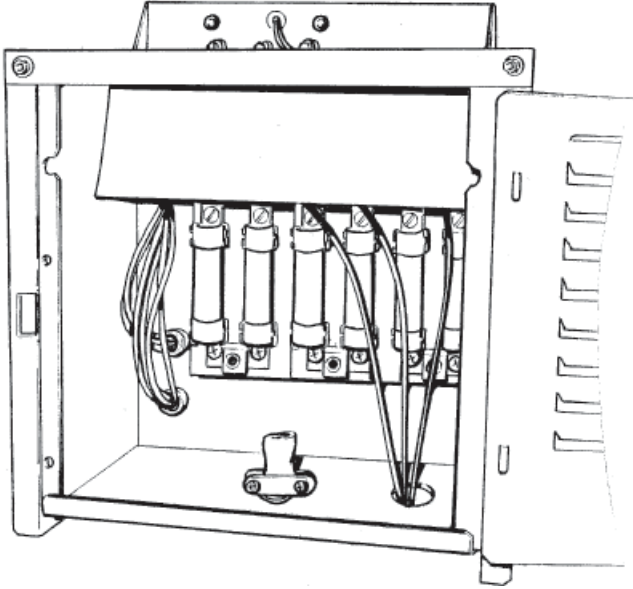


Figure 15. BAYSPEK064 – Wiring

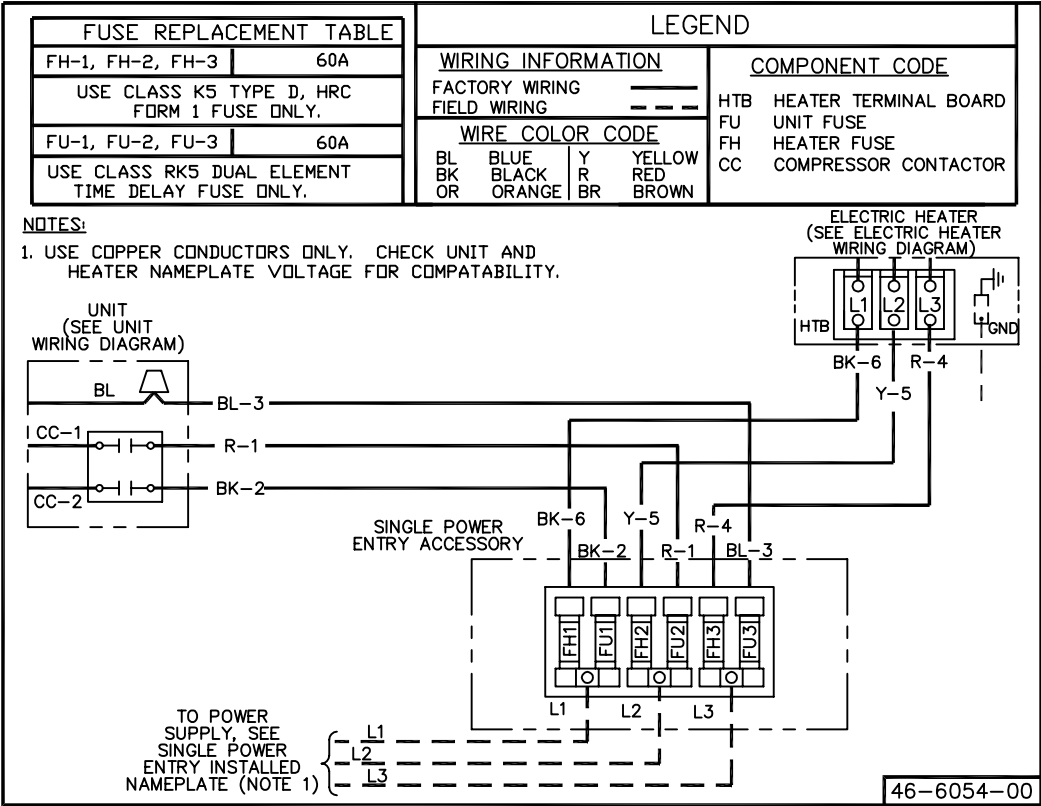


Figure 16. BAYSPEK065

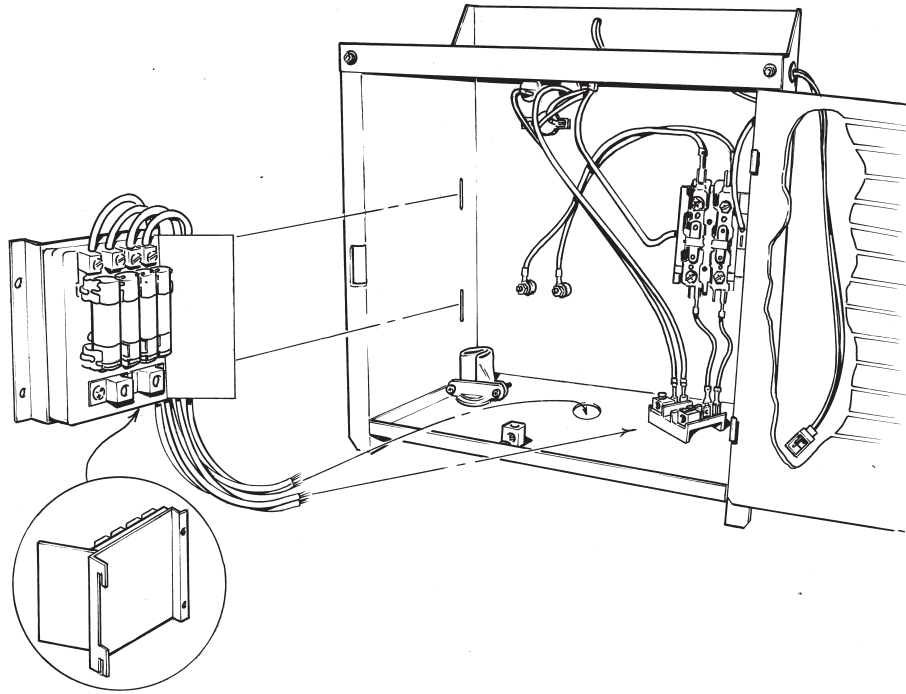
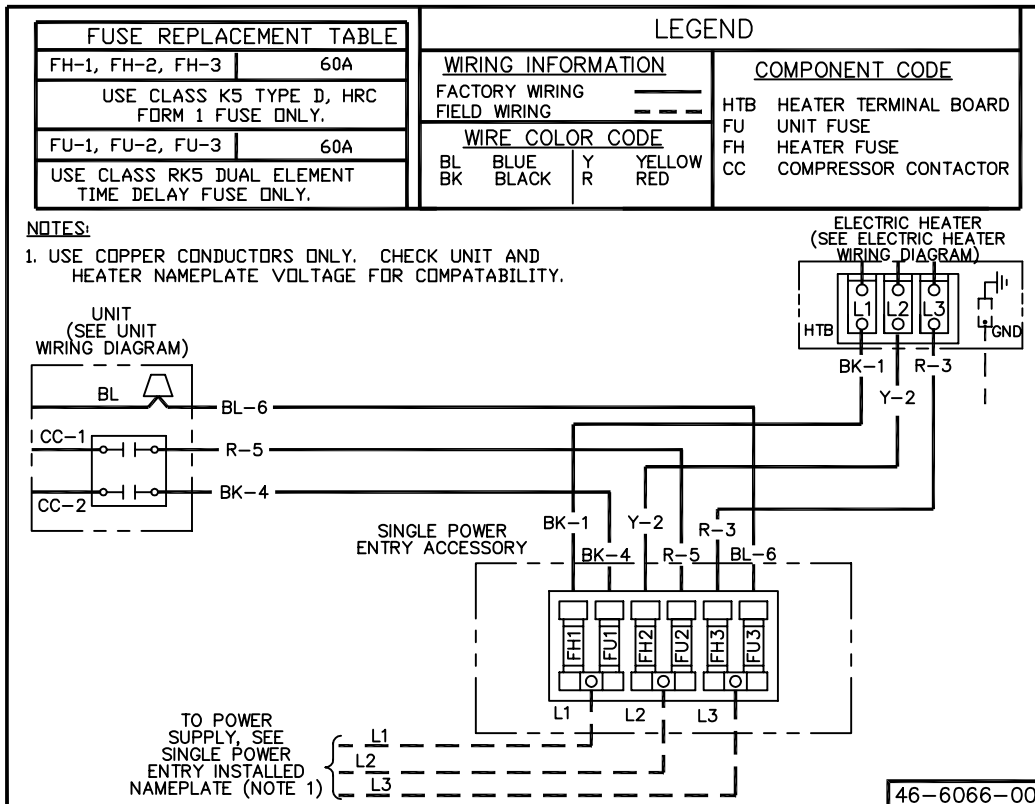


Figure 17. BAYSPEK065-Wiring



About Trane and American Standard Heating and Air Conditioning

Trane and American Standard create comfortable, energy efficient indoor environments for residential applications. For more information, please visit www.trane.com or www.americanstandardair.com.

The manufacturer has a policy of continuous data improvement and it reserves the right to change design and specifications without notice. We are committed to using environmentally conscious print practices.