

INSTALLER'S GUIDE

18-GJ91D1-1B-EN

ALL phases of this installation must comply with NATIONAL, STATE AND LOCAL CODES

Model:

BAYWACNTKT05
BAYWACNTKT07
BAYWACNTKT08
BAYWACNTKT11

Hydronic Heater Relay Kit

This kit is used on communicating TAMX or 5TAMX air handlers with BAYWA hydronic heaters

IMPORTANT — This Document is customer property and is to remain with this unit. Please return to service information pack upon completion of work.

1. Safety Considerations

IMPORTANT: Follow all Warnings and Cautions in the air handler Installer's Guide.

⚠ WARNING

THE INFORMATION IN THIS GUIDE IS FOR USE BY INDIVIDUALS HAVING ADEQUATE ELECTRICAL AND MECHANICAL BACKGROUND. ANY ATTEMPTS, BY UNQUALIFIED PERSONS, AT PLUMBING, INSTALLING OR REPAIRING A HYDRONIC SYSTEM OR CENTRAL AIR CONDITIONING PRODUCT COULD RESULT IN PROPERTY DAMAGE, SEVERE PERSONAL INJURY OR DEATH. THE MANUFACTURER OR SELLER CANNOT BE RESPONSIBLE FOR THE INTERPRETATION OF THIS INFORMATION, NOR CAN IT ASSUME ANY LIABILITY IN CONNECTION WITH ITS USE.

⚠ WARNING

ELECTRICAL HAZARD!
DISCONNECT ALL ELECTRICAL POWER, INCLUDING REMOTE DISCONNECTS BEFORE INSTALLING OR SERVICING. FOLLOW PROPER LOCKOUT/TAGOUT PROCEDURES TO ENSURE THE POWER CAN NOT BE INADVERTENTLY ENERGIZED. FAILURE TO FOLLOW THIS WARNING COULD RESULT IN SERIOUS PERSONAL INJURY, DEATH, OR PROPERTY DAMAGE.

2. Inspection

1. Unpack all components of the kit.
2. Check carefully for any shipping damage. If any damage is found, this must be reported immediately and a claim made against the transportation company.
3. Check to be sure all components are in the package. Any missing components should be reported to your supplier at once and replaced with authorized components only.

3. General Information

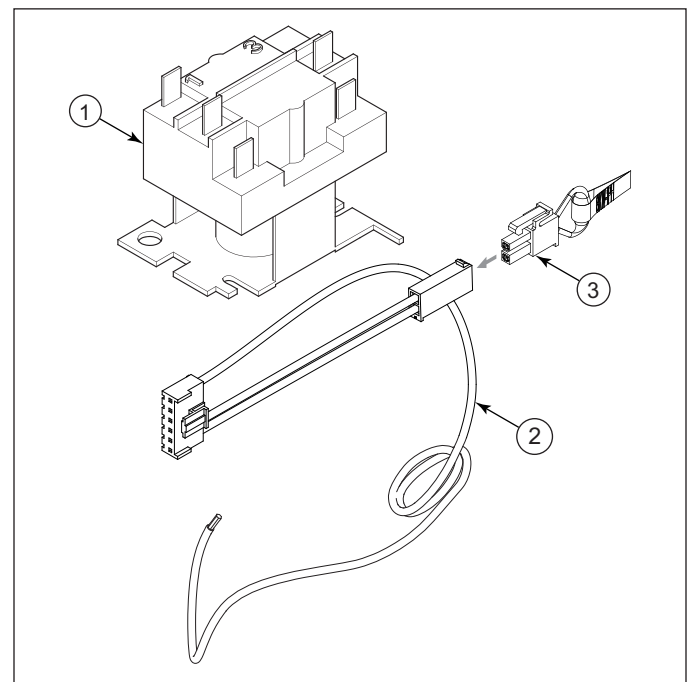
This kit includes a wire harness, a relay and a resistor that announces the size of the heater. The kit is for use with the TAMX or 5TAMX air handler when using a BAYWA 05, 07,08 and 11 hydronic heating coil.

NOTE: The hydronic heater relay kit is only required when in communicating mode. The kit is not required when operating in 24 Volt mode of operation.

4. Kit Contents

Each kit will contain:

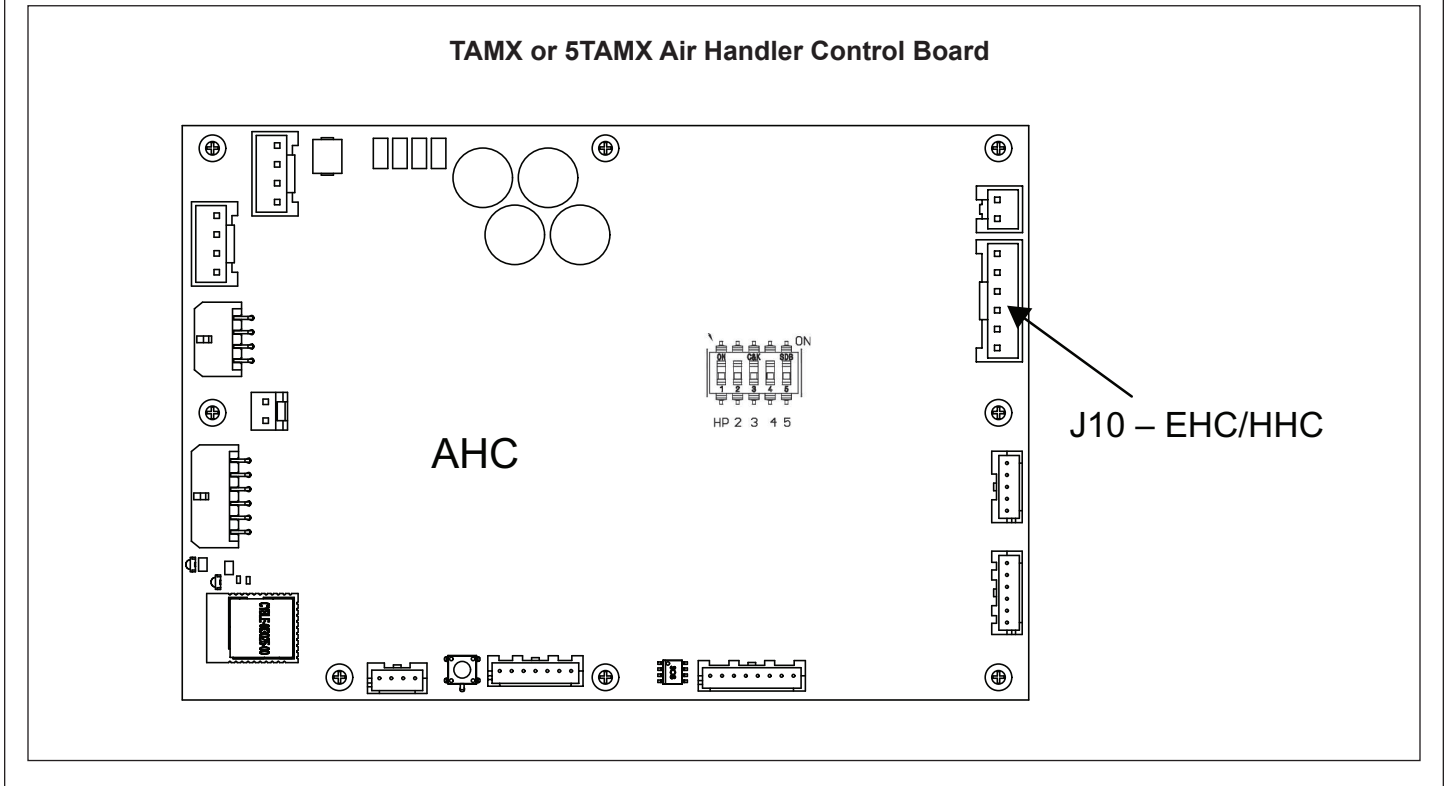
Item	Qty	Description
1	1	Relay
2	1	Harness
3	1	ID Resistor
4	1	Installer's Guide



5. Hydronic Relay Installation

1. Remove power from the air handler.
2. On the air handler control board, disconnect the heater harness from the J10 connector.
3. Plug the resistor onto the Hydronic harness.
4. Plug the hydronic harness into the J10 connector and slide the control panel into the air handler pocket.
5. Mount the external relay. Refer to the air handler Installer's Guide for location restrictions.
6. Route the hydronic wire outside the cabinet with the other low voltage control wires.
7. Use the hydronic wire harness and the low voltage common wire to energize the coil on the supplied relay for hydronic heat.
8. Run the air handler test mode to confirm proper operation.

NOTE: The resistor announces that it is a hydronic heater and what size it is. There is no configuration necessary.



About Trane and American Standard Heating and Air Conditioning

Trane and American Standard create comfortable, energy efficient indoor environments for residential applications. For more information, please visit www.trane.com or www.americanstandardair.com

The manufacturer has a policy of continuous data improvement and it reserves the right to change design and specifications without notice. We are committed to using environmentally conscious print practices.