

# INSTALLER'S GUIDE

## TEMBRKSEALKT01A

18-GJ85D1-1C-EN

*Important -- This is Customer property and is to remain with this unit. Please return to service information pack upon completion of work.*

Model:  
TEMBRKSEALKT01A, TEMBRKSEALKT25A

## Breaker Seal Kit

**TEMBRKSEALKT01A Used With:**  
BAYHTR1504-20 kW heaters in TEM, 5TEM, A4AH, or A5AH air handler units

**TEMBRKSEALKT25A Used With:**  
BAYHTR1525BRKAB 25 kW heater and BAYSPEKT201 in TEM, 5TEM, A4AH, or A5AH air handler units  
BAYHTR1504-20 kW heaters in TEM8A0B24-30 or 5TEMCB02-B03 air handler units

**ALL phases of this installation must comply with NATIONAL, STATE AND LOCAL CODES.**

### ⚠ WARNING

**THIS INFORMATION IS FOR USE BY INDIVIDUALS HAVING ADEQUATE BACKGROUNDS OF ELECTRICAL AND MECHANICAL EXPERIENCE. ANY ATTEMPT TO REPAIR A CENTRAL AIR CONDITIONING PRODUCT MAY RESULT IN PERSONAL INJURY AND/OR PROPERTY DAMAGE. THE MANUFACTURER OR SELLER CANNOT BE RESPONSIBLE FOR THE INTERPRETATION OF THIS INFORMATION, NOR CAN IT ASSUME ANY LIABILITY IN CONNECTION WITH ITS USE.**

### ⚠ WARNING

**HAZARD OF ELECTRICAL SHOCK!**  
**MORE THAN ONE DISCONNECT MAY BE REQUIRED TO DE-ENERGIZE EQUIPMENT FOR SERVICING.**  
**Failure to disconnect power before servicing can cause severe personal injury or death.**

### KIT COMPONENTS

Item No.	Description	Quantity
1	Breaker Cover	1
2	Breaker Plate Gasket	1
3	Screw Hex #10 Self-tap	4
4	Installer's Guide	1

### GENERAL

These instructions are for installation of TEMBRKSEALKT kits when installed on a TEM, 5TEM, A4AH, or A5AH air handler units.

Check for any shipping damage, and if any, report it to the carrier immediately.

### IMPORTANT:

**The field electrical connections and wiring must be done in accordance with the "National Electrical Code" and must comply with local electrical codes.**

### IMPORTANT:

**Verify that the appropriate kit, heater and air handler combination have been selected.**

Before beginning the installation, verify that the available power supply complies with the requirements of the accessory heater and Air Handler unit model being used.

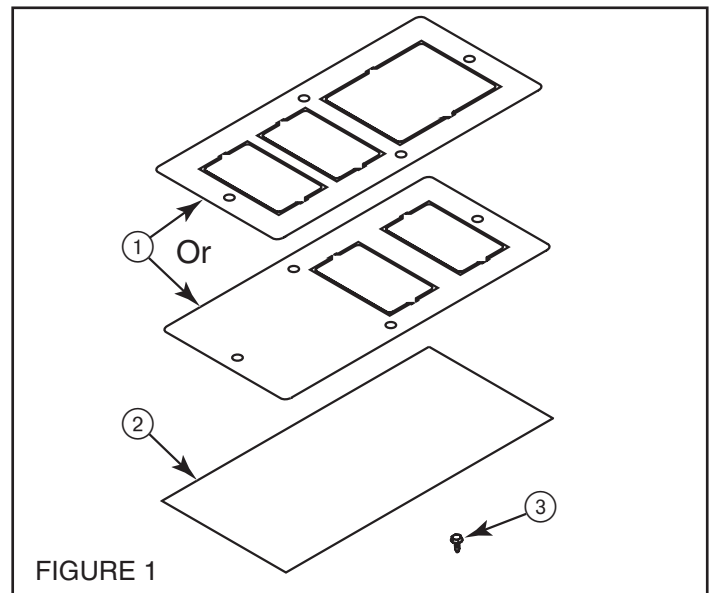


FIGURE 1

## INSTALLATION OF THE SEAL KIT:

1. Determine number of breakers and their location(s) on the blower door panel. Twist out the matching breaker cover insert(s).  
**Note: The left heater knockout must be used for the TEM8A0B24-30 or 5TEMCB02-B03 air handlers.**
2. Adhere gasket to back side of cover plate.
3. Using a utility knife, cut around the perimeter of breaker hole(s).  
**Note: Use fresh blade and cut as close as possible to the twist out hole edges to ensure an air tight fit with breaker(s).**
4. With the breakers and air handler blower door in place, set the seal kit over the breakers to cover the blower door knockout.

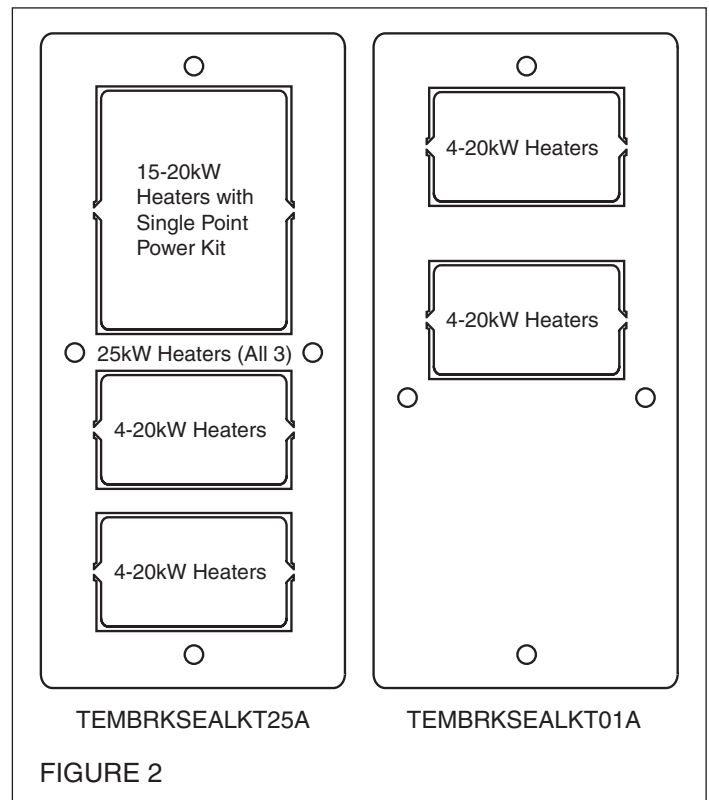
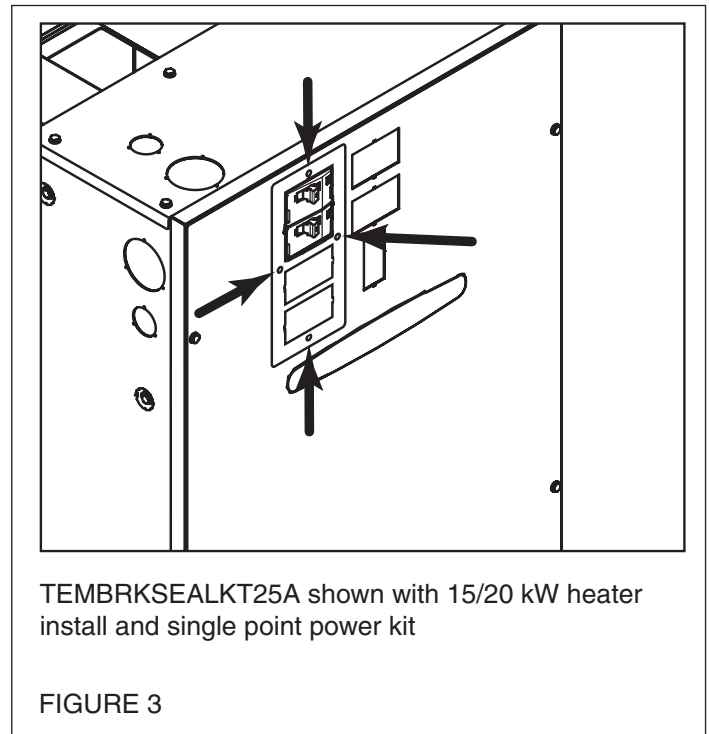


FIGURE 2

5. Use the (4) self-drilling screws included with the kit to fasten the cover plate to front door panel.



TEMBRKSEALKT25A shown with 15/20 kW heater install and single point power kit

FIGURE 3

## About Trane and American Standard Heating and Air Conditioning

Trane and American Standard create comfortable, energy efficient indoor environments for residential applications. For more information, please visit [www.trane.com](http://www.trane.com) or [www.americanstandardair.com](http://www.americanstandardair.com)

The manufacturer has a policy of continuous data improvement and it reserves the right to change design and specifications without notice. We are committed to using environmentally conscious print practices.