

# INSTALLER'S GUIDE

18-GJ79D1-1F-EN

ALL phases of this installation must comply with NATIONAL, STATE AND LOCAL CODES

## Slim Fit Filter Box Kit:

For TEM/A4AH4/4TVM Series A Cabinet Air Handlers

BAYSF1185AAA - TEM3A0B18,24,30,36; TEM4A0B18,24,30,36; A4AH4P18,24,30,36; TEM6A0B24,30;  
4TVM0024,30,36

BAYSF1235AAA - TEM3A0C42,48,60; TEM4A0C37,42,48,60; A4AH4P37,E42,E48,E60;  
TEM6A0C36,42; 4TVM0042,48,60

BAYSF1265AAA - TEM6A0D48,60

**IMPORTANT** — *This Document is customer property and is to remain with this unit. Please return to service information pack upon completion of work.*

### Section 1. Safety Information

#### **⚠ WARNING**

**SAFETY HAZARD!** This information is intended for use by individuals possessing adequate backgrounds of electrical and mechanical experience. Any attempt to repair a central air conditioning product may result in personal injury and/or property damage. The manufacturer or seller cannot be responsible for the interpretation of this information, nor can it assume any liability in connection with its use.

#### **⚠ CAUTION**

**SAFETY HAZARD!** Sharp Edge Hazard. Be careful of sharp edges on equipment or any cuts made on sheet metal while installing or servicing. Personal injury may result.

### Section 2. General Information

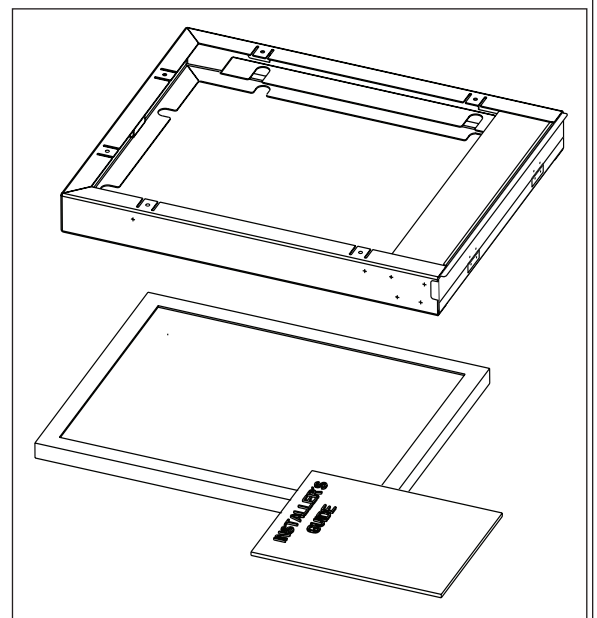
Open and inspect contents for damage or missing items.

Each kit will contain:

- 1 - Frame assembly
- 1 - Filter
- 1- Installer's Guide

#### **Dimensions:**

Model	Unit	Filter
Model 185	18.625"W x 21.5"L x 2"H	18"W x 20"L x 1" Max
Model 235	23.625"W x 21.5"L x 2"H	23"W x 20"L x 1" Max
Model 265	26.625"W x 21.5"L x 2"H	26"W x 20"L x 1" Max



## Section 3. Installation

**Step 1** - Open the filter box door and slide the filter out of the filter frame. (**Fig. 1**)

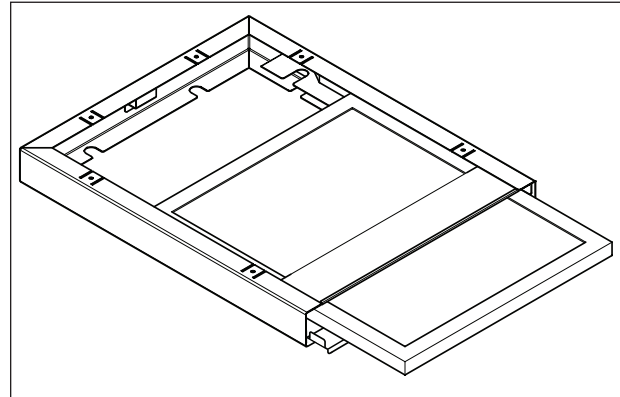
**Step 2** - Turn the air handler upside down.

**Step 3** - Align the filter frame assembly for a flush fit with the back of the air handler, and the filter frame door facing the front of the air handler cabinet. Using Phillips pan head screws, attach the frame assembly to the bottom of the air handler cabinet. (**Fig. 2**)

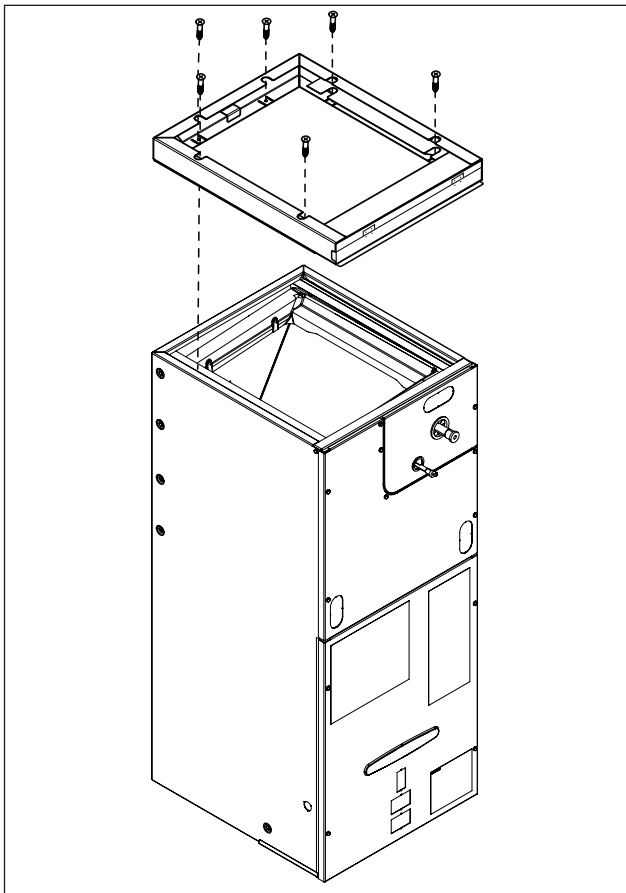
**NOTE:** Very little torque is required. A high torque setting may strip out the cabinet frame.

**Step 4** - Insert the filter into the frame assembly. Check for correct air flow direction on air filter. (**Fig. 3**)

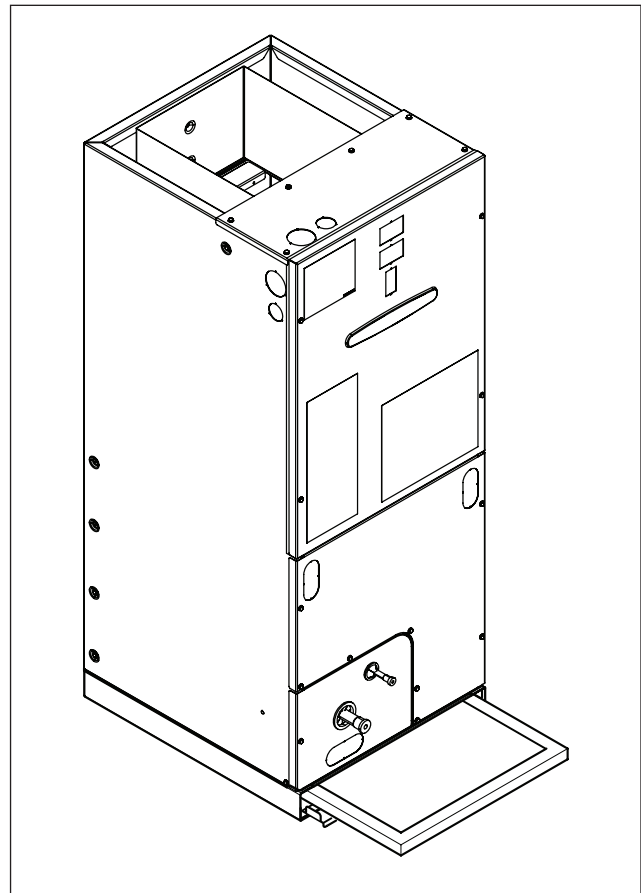
**Step 5** - Continue the installation using the air handler Installer's Guide.



**Fig. 1** - Slide filter out of filter frame.



**Fig. 2** - Attach frame assembly to air handler.



**Fig. 3** - Insert filter into the frame assembly.

### About Trane and American Standard Heating and Air Conditioning

Trane and American Standard create comfortable, energy efficient indoor environments for residential applications. For more information, please visit [www.trane.com](http://www.trane.com) or [www.americanstandardair.com](http://www.americanstandardair.com)

The manufacturer has a policy of continuous data improvement and it reserves the right to change design and specifications without notice. We are committed to using environmentally conscious print practices.