



### KIT07611

### White - Rodgers Pressure Tap Adapter Kit

**ALL phases of this installation must comply with NATIONAL, STATE AND LOCAL CODES**

**IMPORTANT**— This Document is **customer property** and is to remain with this unit. Please return to service information pack upon completion of work.

#### A. **SAFETY:**

##### **⚠ WARNING**

This conversion kit shall be installed by a qualified service agency in accordance with manufacturer's instructions and all applicable codes and requirements of the authority having jurisdiction. Failure to read and follow these instructions carefully before installing or operating this control could result in personal injury and/or property damage. The qualified service agency performing this work assumes responsibility for the proper conversion of this appliance with this kit.

##### **⚠ WARNING**

This product can expose you to chemicals including lead, which are known to the State of California to cause cancer and birth defects or other reproductive harm. For more information go to [www.P65Warnings.ca.gov](http://www.P65Warnings.ca.gov).

#### B. **GENERAL:**

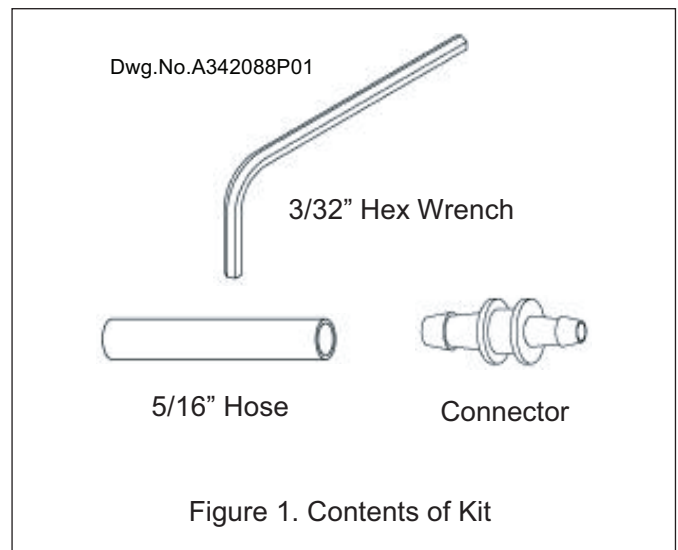
These instructions describe the installation and removal of KIT07611 and the procedures required to properly adjust the gas valve inlet and outlet manifold pressure.

#### C. **INSPECTION:**

1. Unpack all components of the adapter kit.
2. Check carefully for any shipping damage. If any damage is found, this must be reported immediately and a claim made against the transportation company.
3. Check to be sure all components are in the package. See Figure 1. Any missing components should be reported to your supplier at once and replaced with authorized components only.

##### **⚠ WARNING**

Replace and/or tighten all plugs removed or loosened when adjusting gas pressure. Leak check the fittings before placing the furnace into regular service. Failure to follow this warning could result in fire, explosion or property damage.



# Installer's Guide

## D. INSTALLATION:

1. Shut off main gas supply to furnace.
2. Move the gas valve switch to "OFF".
3. Insert the 3/32" hex wrench into the Outlet Pressure Tap Screw marked "OUT P" and rotate counter-clockwise one revolution. See Figure 2.
4. Insert the 5/16" flexible tubing, contained in the kit, over the Outlet Pressure Boss. Overlap the pressure boss by at least 3/8" to prevent leakage.
5. Insert the 5/16" end of the adapter into the open end of the flexible tubing. Connect a manometer to the 1/4" end of the adapter.
6. Restore the main gas supply to the furnace and move the gas valve switch to "ON".
7. Set the room thermostat to the heating mode and increase the heating setpoint so the furnace will remain on during the adjustment procedure.
8. Check all adapter kit connections using a leak detection solution. **Shut off gas and repair any leaks before proceeding.**
9. Follow the Combustion and Input Check procedures located in the furnace Installer's Guide.
10. After necessary adjustments have been made, shut off main gas supply to furnace and move the gas valve switch to "OFF".
11. Remove the manometer, adapter and flexible tubing.
12. Insert the 3/32" hex wrench into the Outlet Pressure Tap Screw marked "OUT P" and rotate clockwise one revolution. See Figure 2.

13. Restore the main gas supply to the furnace and move the gas valve switch to "ON". Energize the furnace heating cycle and check all connections using a leak detection solution. **Shut off gas and repair any leaks before proceeding.**
14. Return the room thermostat to the desired mode and temperature.

**Note:** Check Inlet pressure following steps 1-14 above using the Inlet Pressure Boss marked "IN P".

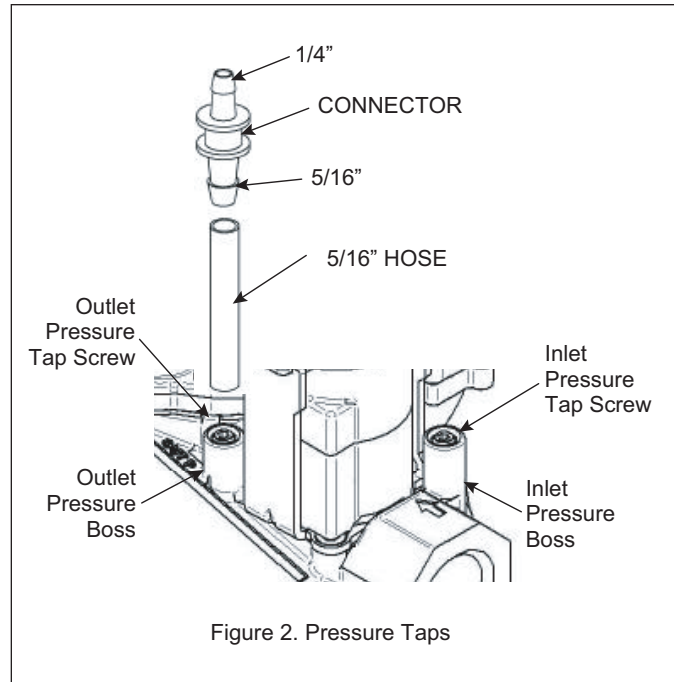


Figure 2. Pressure Taps

## About Trane and American Standard Heating and Air Conditioning

Trane and American Standard create comfortable, energy efficient indoor environments for residential applications. For more information, please visit [www.trane.com](http://www.trane.com) or [www.americanstandardair.com](http://www.americanstandardair.com).

The manufacturer has a policy of continuous data improvement and it reserves the right to change design and specifications without notice. We are committed to using environmentally conscious print practices.