

Installer's Guide

KIT13630

Inducer Limit Switch Kit

⚠ WARNING: HAZARDOUS VOLTAGE - DISCONNECT POWER BEFORE SERVICING

ALL phases of this installation must comply with NATIONAL, STATE AND LOCAL CODES

IMPORTANT-This Document is customer property and is to remain with this unit. Please return to service information pack upon completion of work.

Kit components:

- WIRE HARNESS A342647P01
- SCREW N193P1306B (qty. of 2)
- LIMIT SWITCH B342017P01 (qty. of 1)
- GASKET A341575P01 (qty. of 1)

Application: All 90% upflow models.

⚠ WARNING

Disconnect power to the unit before removing the blower door. Failure to follow this warning could result in personal injury from moving parts.

⚠ WARNING

The cabinet must have an uninterrupted or unbroken ground according to National Electrical Code, ANSI/NFPA 70 - "latest edition" and Canadian Electrical Code, CSA C22.1 or local codes to minimize personal injury if an electrical fault should occur. A failure to follow this warning could result in an electrical shock, fire, injury, or death.

⚠ WARNING

This product can expose you to chemicals including lead, which are known to the State of California to cause cancer and birth defects or other reproductive harm. For more information go to www.P65Warnings.ca.gov.

Removing the Existing Inducer Limit Switch:

1. Turn the thermostat to the off position.
2. Disconnect all electric power and shut off the gas supply to the furnace.
3. Remove the burner & blower door.
4. Disconnect the limit switch from the inducer housing. Discard the inducer switch and screws.

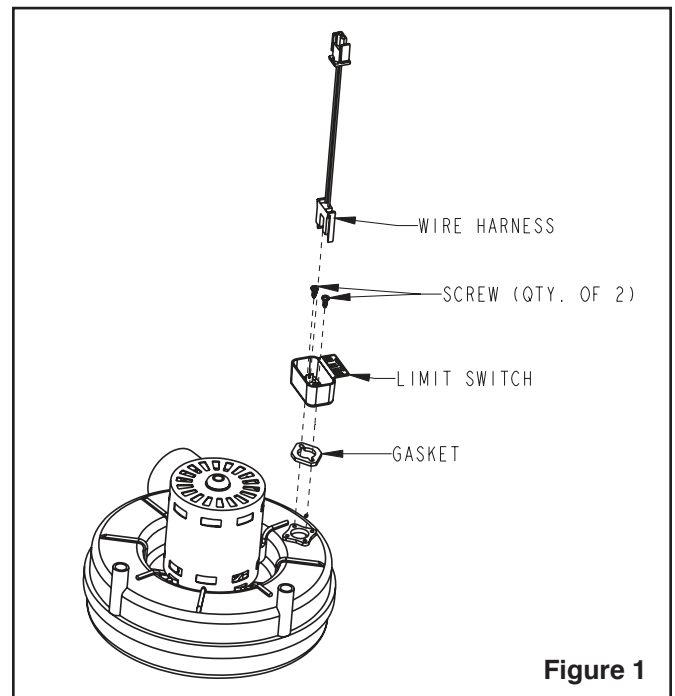


Figure 1

Installing the Inducer Limit Switch:

1. Attach the gasket (A341575P01) to the base of the limit switch (B342017P01).
2. Attach the limit switch to the inducer housing using the enclosed screws (N193P1306B).
3. Attach the wire harness (A342647P01) to the limit switch (B342017P01).
4. Connect the wire harness (A342647P01) to the existing wire harness of the unit.
5. Reinstall the blower & burner door.
6. Reconnect all electric power and turn on the gas supply to the unit.

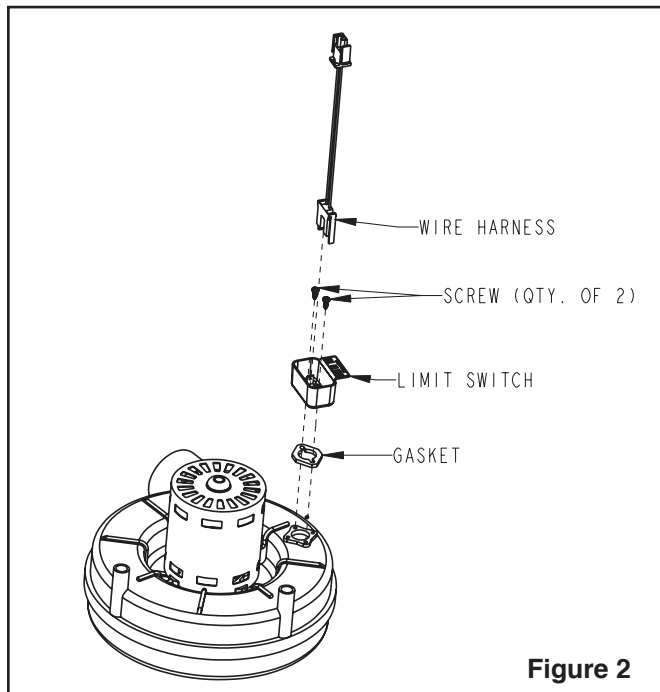


Figure 2

Verification of Proper Operation:

1. Place the thermostat in the heating mode.
2. Initiate a call for heat by raising the thermostat setting 5 degrees above the room temperature.
3. Observe the furnace: If properly wired, the following start-up sequence should be observed:
 - a. The red LED on the IFC should start a fast flash sequence.
 - b. The draft inducer should energize, and then the igniter should start to glow.
 - c. After the igniter heat up time has expired, the gas valve should be energized – listen for the “click”, the gas will then ignite.
 - d. After 45 seconds the main blower will turn on.

About Trane and American Standard Heating and Air Conditioning

Trane and American Standard create comfortable, energy efficient indoor environments for residential applications. For more information, please visit www.trane.com or www.americanstandardair.com

The manufacturer has a policy of continuous data improvement and it reserves the right to change design and specifications without notice. We are committed to using environmentally conscious print practices.