

## Installer's Guide

# BAYBACKSPACER

## Supplementary Blanking Strip

### **⚠️ WARNING: HAZARDOUS VOLTAGE – DISCONNECT POWER BEFORE SERVICING**

ALL phases of this installation must comply with NATIONAL, STATE AND LOCAL CODES

**IMPORTANT** – This Document is **customer property** and is to remain with this unit. Please return to service information pack upon completion of work.

### GENERAL

This accessory kit offsets the furnace coil from the back of the furnace ~1.5 inches, allowing clearance of the flue piping with condensate and refrigerant lines in most applications. For applications where 1.5 inches is not available, see alternative kit BAYSPACER.

Offsetting the coil does not affect the performance of the system.

The manufacturer recommends this kit when the furnace is adjoined to an evaporator coil with left side only condensate drain openings or refrigerant line connections that may interfere with flue gas or combustion air vent piping.

This accessory kit is used with the following furnace models:

J801	L8X1B070*
L8X1A055*	L8X1C100*

### **⚠️ WARNING**

**SAFETY HAZARD!** This information is intended for use by individuals possessing adequate backgrounds of electrical and mechanical experience. Any attempt to repair a central air conditioning product may result in personal injury and/or property damage. The manufacture or seller cannot be responsible for the interpretation of this information, nor can it assume any liability in connection with its use.

### **⚠️ WARNING**

#### **HAZARDOUS VOLTAGE!**

Disconnect all electrical power, including remote disconnects before installing or servicing. Follow proper lockout/tagout procedures to ensure the power can not be inadvertently energized. Failure to disconnect power before servicing could result in death or serious injury.

### **⚠️ CAUTION**

#### **SAFETY HAZARD!**

Sharp Edge Hazard. Be careful of sharp edges on equipment or any cuts made on sheet metal while installing or servicing. Personal injury may result.

### INSPECTION

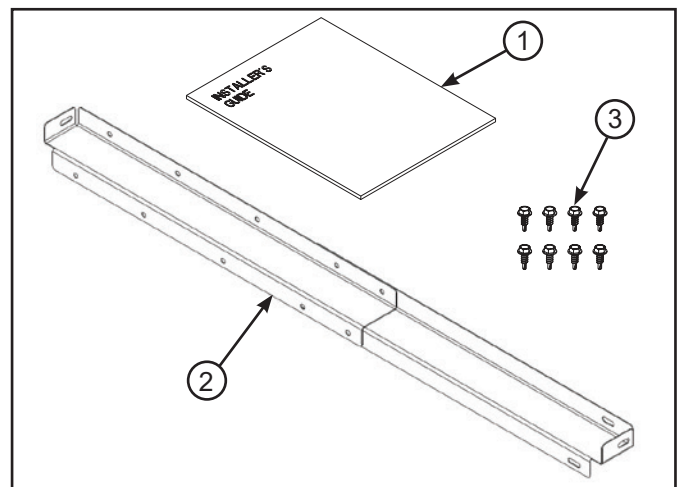
Check carefully for any shipping damage. This must be reported to and claims made against the transportation company immediately. Any missing parts should be reported to your supplier at once and replaced with authorized parts only.

### KIT CONTENTS

Open and inspect contents for damage or missing items.

Each kit contains:

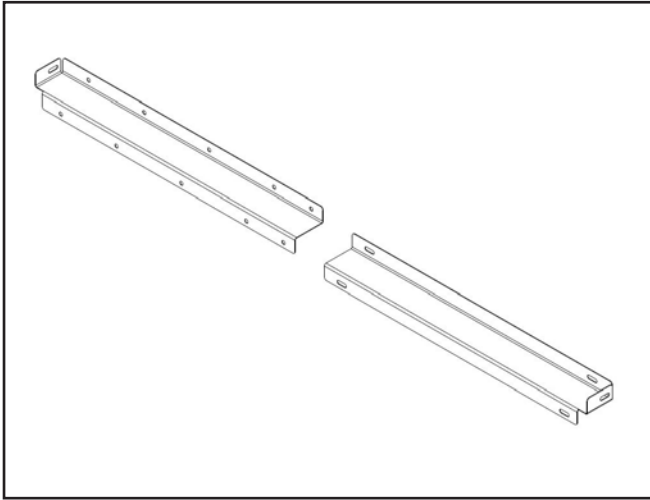
No.	Qty.	Part No.	Description
1	1	18-CH103D1-1B-EN	Installer's Guide
2	1	D346583P01	Adjustable Blank-off
3	8	D346588P01	Screw



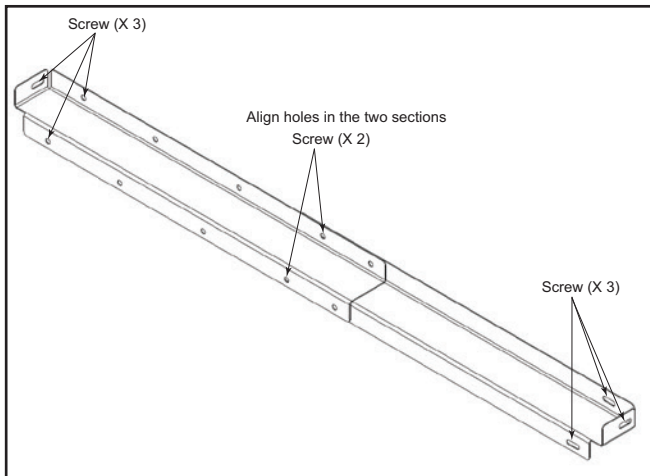
# Installer's Guide

## Installation Instructions:

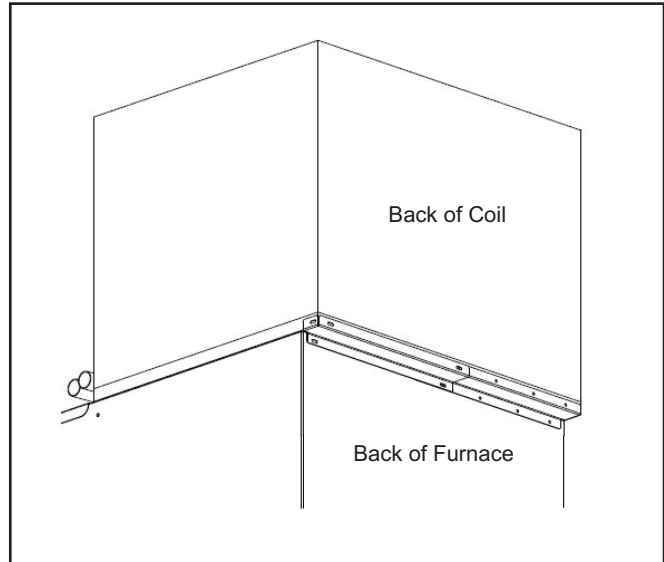
1. The blanking strip is made with two sections in order to fit all cabinet sizes.



2. Combine the two sections in order to properly fit the appropriate cabinet size. The screw locations are shown as per figure below.



3. Using #8 screws, attach the blanking strip to the coil and furnace. Seal as needed and per local code to ensure an airtight fit.



## About Trane and American Standard Heating and Air Conditioning

Trane and American Standard create comfortable, energy efficient indoor environments for residential applications. For more information, please visit [www.trane.com](http://www.trane.com) or [www.americanstandardair.com](http://www.americanstandardair.com)

The manufacturer has a policy of continuous data improvement and it reserves the right to change design and specifications without notice. We are committed to using environmentally conscious print practices.

18-CH103D1-1B-EN 21 Jul 2020

Supersedes 18-CH103D1-1A-EN (February 2020)

© 2020