



BAYSPACER

Galvanized Steel Bayspacer Kit for Non-Condensing Furnaces

ALL phases of this installation must comply with NATIONAL, STATE AND LOCAL CODES

IMPORTANT — This Document is customer property and is to remain with this unit. Please return to service information pack upon completion of work.

A. GENERAL INFORMATION

NATURAL GAS ONLY

This kit is required when installing a cooling coil with the following furnace models.

- L8X1A055U3XSA*
- L8X1B070U4XSA*
- L8X1C100U5XSA*

The BAYSPACER raises the cooling coil ~ 6 inches to allow left hand condensate connections to clear the furnace venting and refrigerant piping connections. B-vent must be angled to the right and then up for proper clearance to the condensate fittings when coil does not have alternate right side drains.

The BAYSPACER fits all furnace widths.

IMPORTANT: The BAYSPACER will add an additional 6" of length / height to the overall furnace / coil combination. Please make sure this added length is included into the application clearances you are working with.

⚠ WARNING

SHARP EDGE HAZARD!

Failure to follow this Caution could result in property damage or personal injury. Be careful of sharp edges on equipment or any cuts made on sheet metal while installing or servicing.

EACH KIT CONTAINS:

| Qty | Description | Part Number |
|-----|----------------------|------------------|
| 1 | Assembly-Coil Spacer | D346515P01 |
| 1 | Installer's Guide | 18-CH101D1-1C-EN |
| 14 | #8-18 Screws | D346520P01 |
| 1 | Seal Strip | D346529P01 |

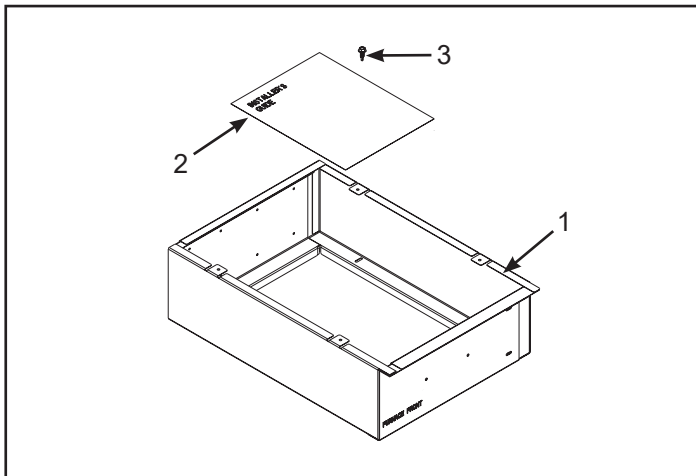


Figure 1

B. INSPECTION

1. Unpack all components of the kit.
2. Check carefully for any shipping damage. If any damage is found, this must be reported immediately and a claim made against the transportation company.
3. Check to be sure all components are in the package. Any missing components should be reported to your supplier at once and replaced with authorized components only.

C. INSTALLATION INSTRUCTIONS

1. Spacer Installation

See Figure 2.

- a. Before installing the furnace, bend furnace duct flanges down at the perforations on the sides and back of the furnace only. The front flange is to remain flat.
- b. Install provided gasket to the top and bottom edges of the spacer to reduce air leakage.
- c. Position the BAYSPACER with the label marked Front to the front of the furnace.
- d. Spread the spacer until the inside flanges are flush with the furnace.
- e. Align the holes in the spacer with the holes in the furnace.
- f. Attach the spacer to the furnace using the provided screws.
- g. Bend the 4 tabs on the side of the spacer up to accept the cooling coil.

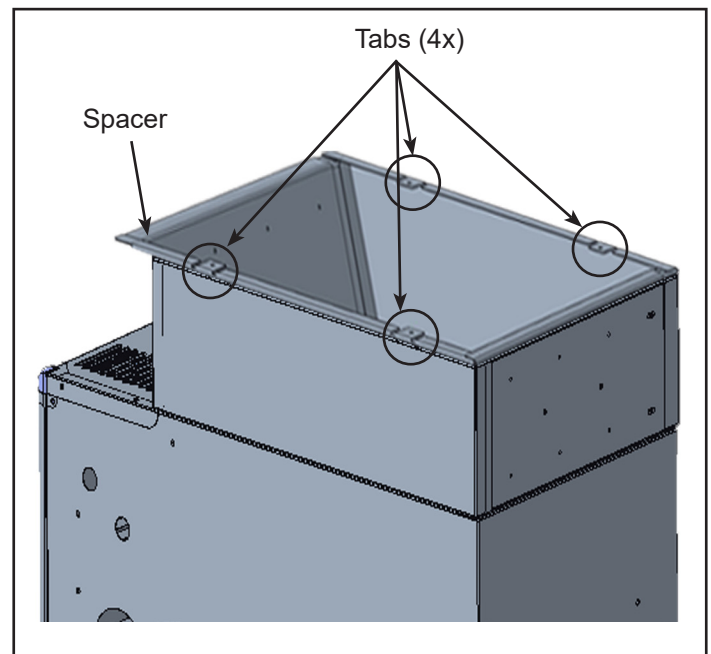


Figure 2

Installer's Guide

2. Coil Installation

See Figure 3 and 4.

- a. Place the coil on top of the spacer.
- b. Align the coil to fit flush on the back of the spacer.
- c. Use screws no longer than 1/2", and attach coil to the spacer.

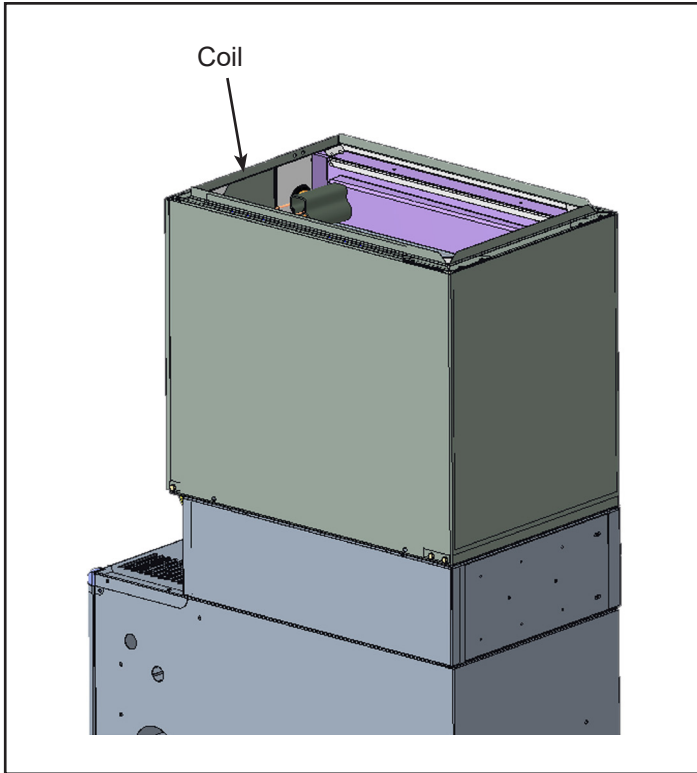


Figure 3

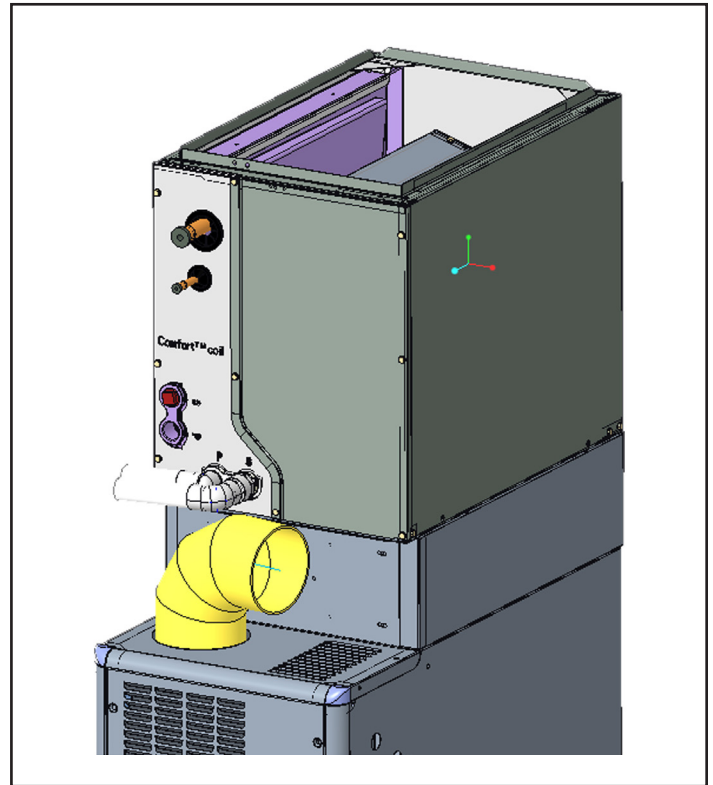


Figure 4

About Trane and American Standard Heating and Air Conditioning

Trane and American Standard create comfortable, energy efficient indoor environments for residential applications. For more information, please visit www.trane.com or www.americanstandardair.com

The manufacturer has a policy of continuous data improvement and it reserves the right to change design and specifications without notice. We are committed to using environmentally conscious print practices.